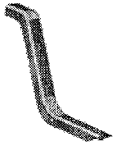


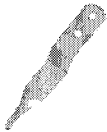


## EZ Bracket

### Contents



(8)  
Brackets



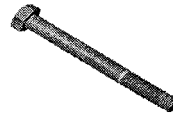
(8)  
Twist  
Brackets



(8)  
Clamp  
Brackets



(16)  
#14 x 1"  
Self-tapping  
Screws



(8)  
5/16" x 2 1/2"  
Bolts



(24)  
5/16" Flat  
Washers



(16)  
5/16"  
Locknuts



(8)  
5/16" x 1"  
Bolts

### Tools Needed for Installation



Drill



Socket Set



Wrench Set



3/8" Drill Bit

### Caution



### CAUTION

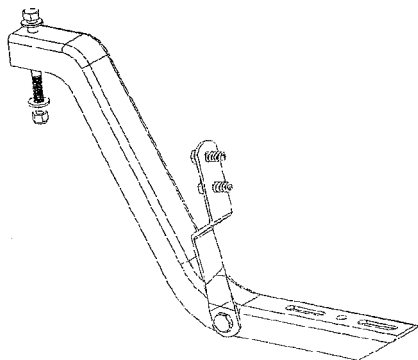
1. Ensure the tightening of all bolts, screws and nuts to mounting points.
2. Do not exceed 350 lbs weight total on the brackets.
3. Do not ride on brackets while vehicle is in motion.

### Care and Cleaning

1. Avoid the use of automatic "brush style" car washes.
2. Do not use cleaning solvents of any kind.
3. Wash with only mild soap & dry with a clean cloth.

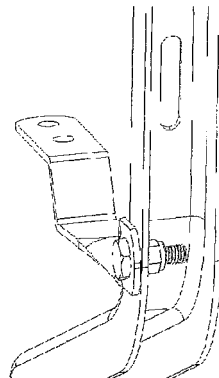
**STEP 1**

Assemble channel bracket, twist bracket and clamp bracket with all bolts, washers and nuts.



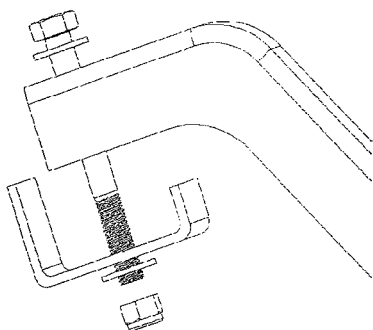
**STEP 2**

Assemble the channel bracket and twist bracket with a 5/16" x 1" bolt with a flat washer and locknut.



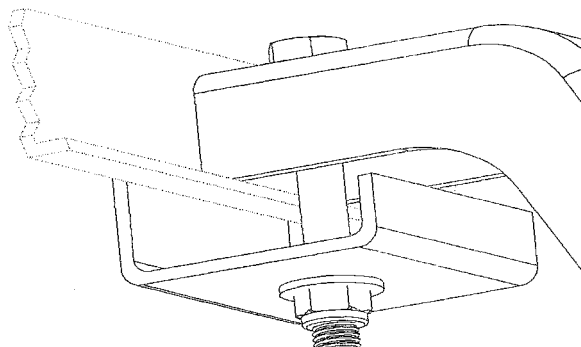
**STEP 3**

Fasten clamp bracket with the 5/16" x 2 1/2" bolt, 2 washers and lock nut.



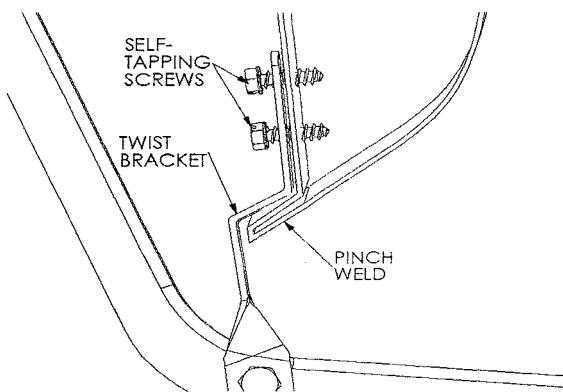
**STEP 4**

Attach clamp bracket section to flange on uni-body.

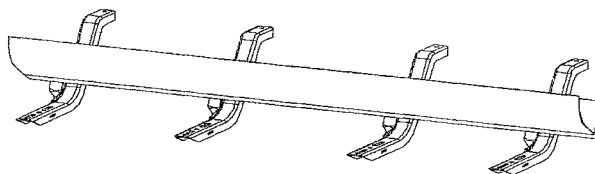


**STEP 5**

Attach twist bracket to rocker panel using two #14 self-tapping screws.



**STEP 6**



**Congratulations!**

You have purchased one of the many products offered by Lund International. We take the utmost pride in our products and want you to enjoy many years of satisfaction from your investment. We have made every effort to ensure that your product is top quality in terms of fit, durability, finish, and ease of installation.

