



# EZ BRACKET

300015  
300016

PICKUP, RAM 1500 QUAD CAB • 2002-03  
PICKUP, RAM 2500, 3500 QUAD CAB • 2003  
P.N. 300015

PICKUP, RAM 1500 STANDARD CAB • 2002-03  
PICKUP, RAM 2500, 3500 STANDARD CAB • 2003  
P.N. 300016

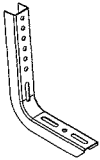
*Thank you for purchasing one of the many quality items manufactured by Lund Industries, Inc. We take the utmost pride in our products and want you to enjoy years of satisfaction from your investment.*

This product has been designed and engineered to correctly fit and complement only the vehicle(s) listed in the heading.

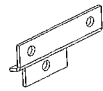
For easiest installation and the best final appearance, read the complete instruction BEFORE you begin.

**Please follow all instructions for the proper installation of this part to the vehicle. Lund Industries, Inc.**

## INSTALLATION KIT INCLUDES



Brackets



Back Support  
Bracket



Self Tapping  
Screws



1/4" bolts



1/4" Washers

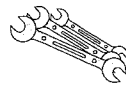


1/4" Nuts

## TOOLS NEEDED FOR INSTALLATION



Socket Set  
J



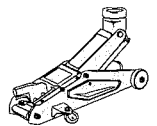
Standard Wrench Set J



Drill



Hammer



Floor Jack



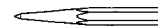
5/16" Drill Bit



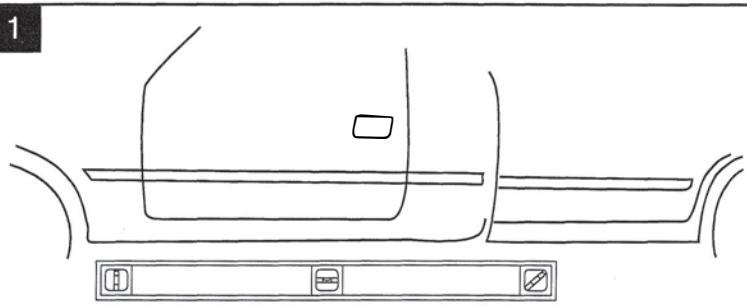
1/8" Drill Bit



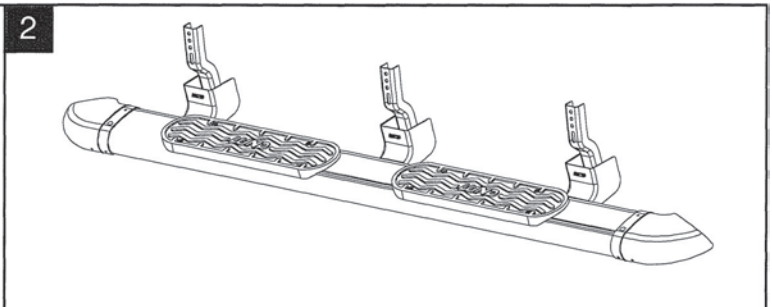
Silicone



Center Punch P

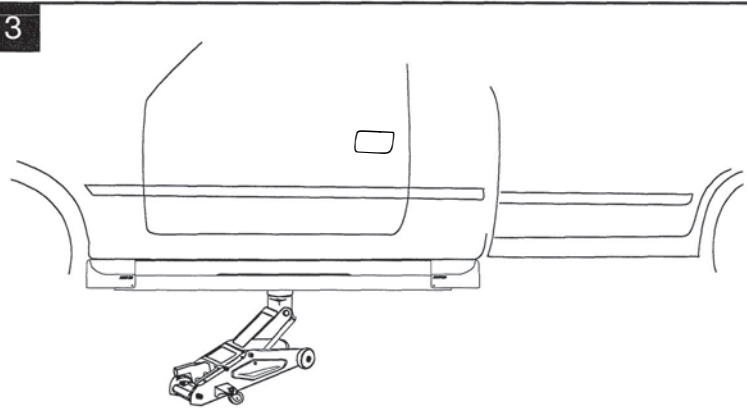


NOTE: Place truck on level surface.

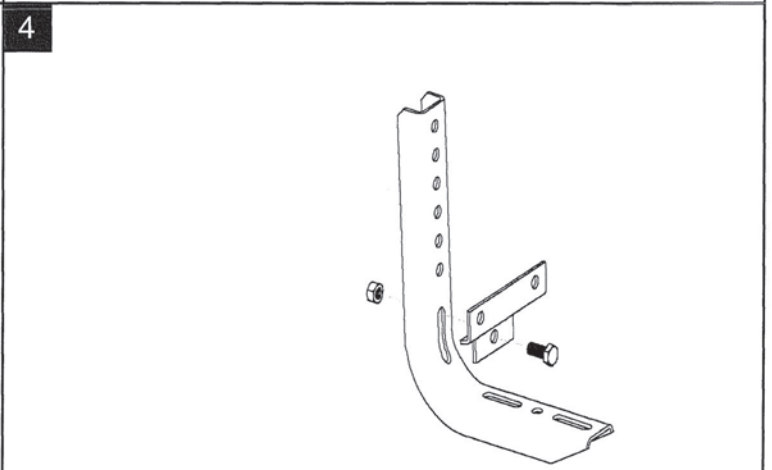


NOTE: Preassemble boards according to running board instruction sheet.

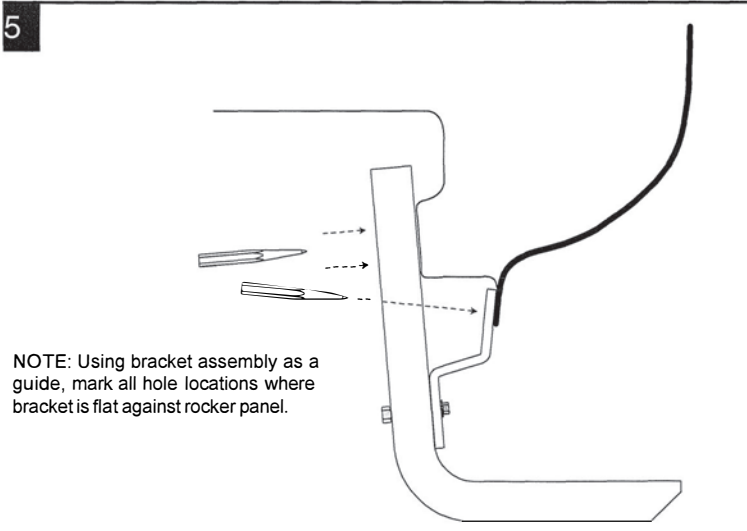
P.N. 300015 = 4 Brackets / side  
P.N. 300016 = 2 Brackets / side



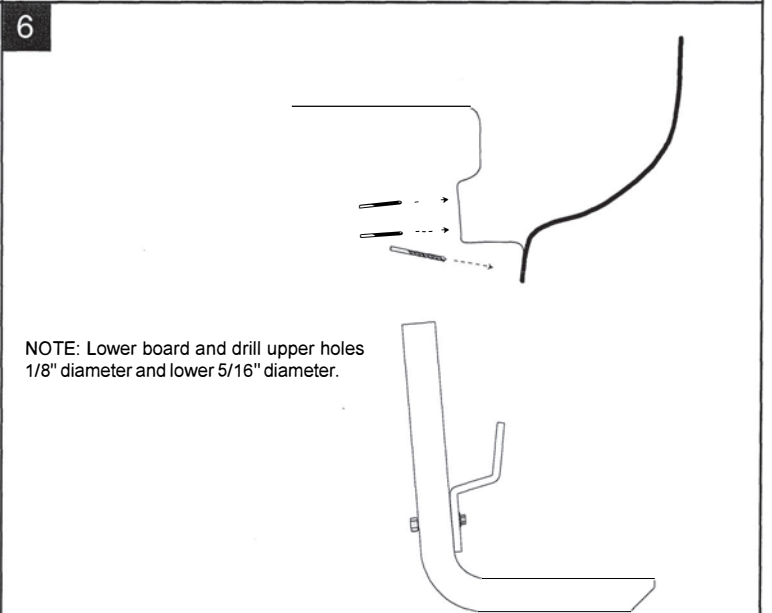
NOTE: Raise board into place with floor jack. Center board on rocker panel.



NOTE: Assemble brackets per illustration.



NOTE: Using bracket assembly as a guide, mark all hole locations where bracket is flat against rocker panel.



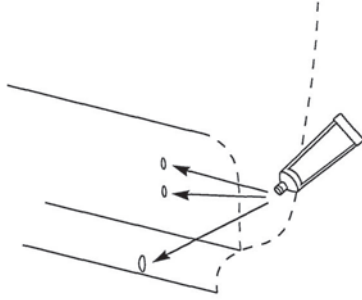
NOTE: Lower board and drill upper holes 1/8" diameter and lower 5/16" diameter.

# INSTALLATION INSTRUCTIONS

## EZ BRACKETS

Side 3

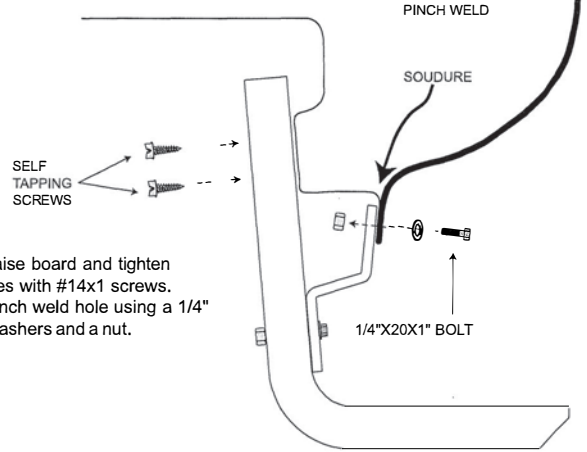
7



NOTE: Place a small bead of silicon in each hole.

8

BACK



NOTE: Raise board and tighten upper holes with #14x1 screws. Tighten pinch weld hole using a 1/4" bolt, two washers and a nut.