

Installation Instructions



Lund EZ Bracket™

For proper installation and best possible fit, please read all instructions BEFORE you begin.

Important Safety Information

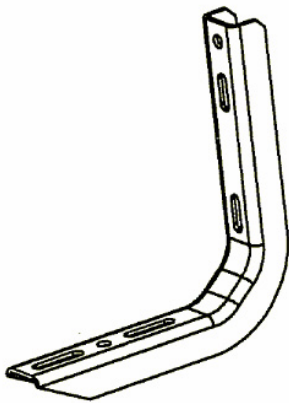
⚠️ WARNING

- To be used with Lund branded products only.
- Do not stand on Lund [running board](#) or bracket while vehicle is in motion.
- Do not exceed 350lbs. weight on the Lund EZ bracket system.
- Do not use the Lund EZ bracket system as a jacking point for vehicle.
- Do not use Lund EZ bracket system or running boards to fasten cargo.
- Periodically check all components for tightness.

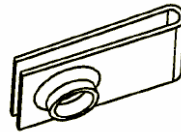
⚠️ CAUTION

- Be sure to wear safety glasses while installing Lund EZ bracket system.
- When using power tools read and understand all operating instructions.

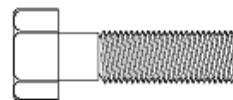
Contents



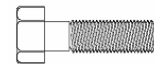
(4) kit # 300010
 (6) kit # 300009
 (8) kit # 300008



U-Nut
 (4) kit # 300010
 (6) kit # 300009
 (8) kit # 300008



5/16-18 x 1
 (4) kit # 300010
 (6) kit # 300009
 (8) kit # 300008



1/4''-20 x 1
 (4) kit # 300010
 (6) kit # 300009
 (8) kit # 300008



Flat washer
 (4) kit # 300010
 (6) kit # 300009
 (8) kit # 300008



flat washer
 (8) kit # 300010
 (12) kit # 300009
 (16) kit # 300008



1/4''-20
 (4) kit # 300010
 (6) kit # 300009
 (8) kit # 300008

Extra washers are provided for alignment and are only to be used if needed.

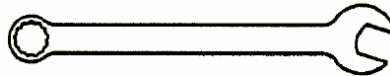
Tools Required



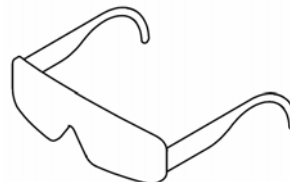
7/16'' Socket



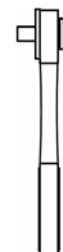
1/2'' Socket



7/16 Wrench



Safety Glasses

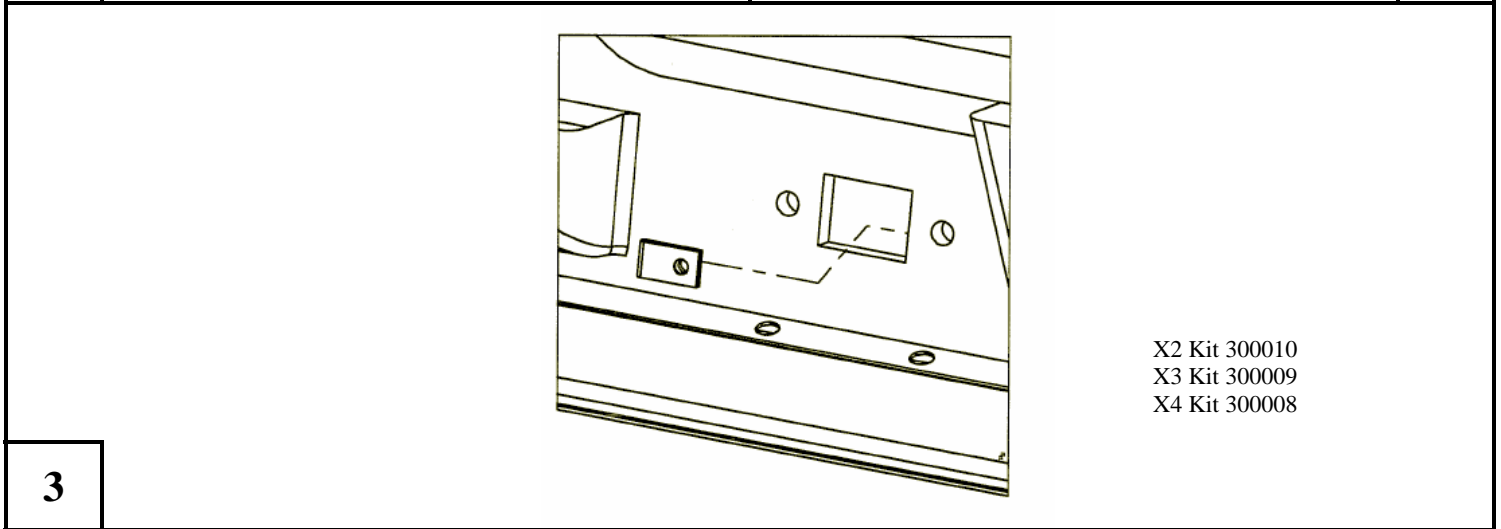
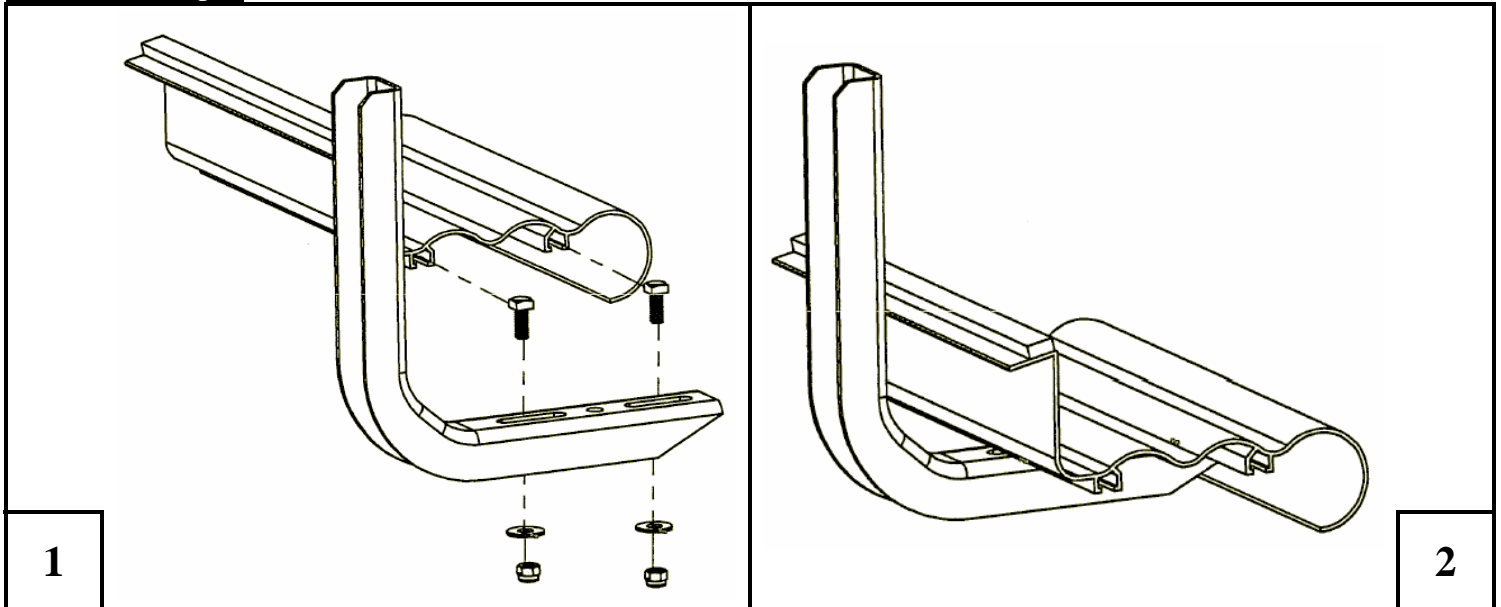


Ratchet

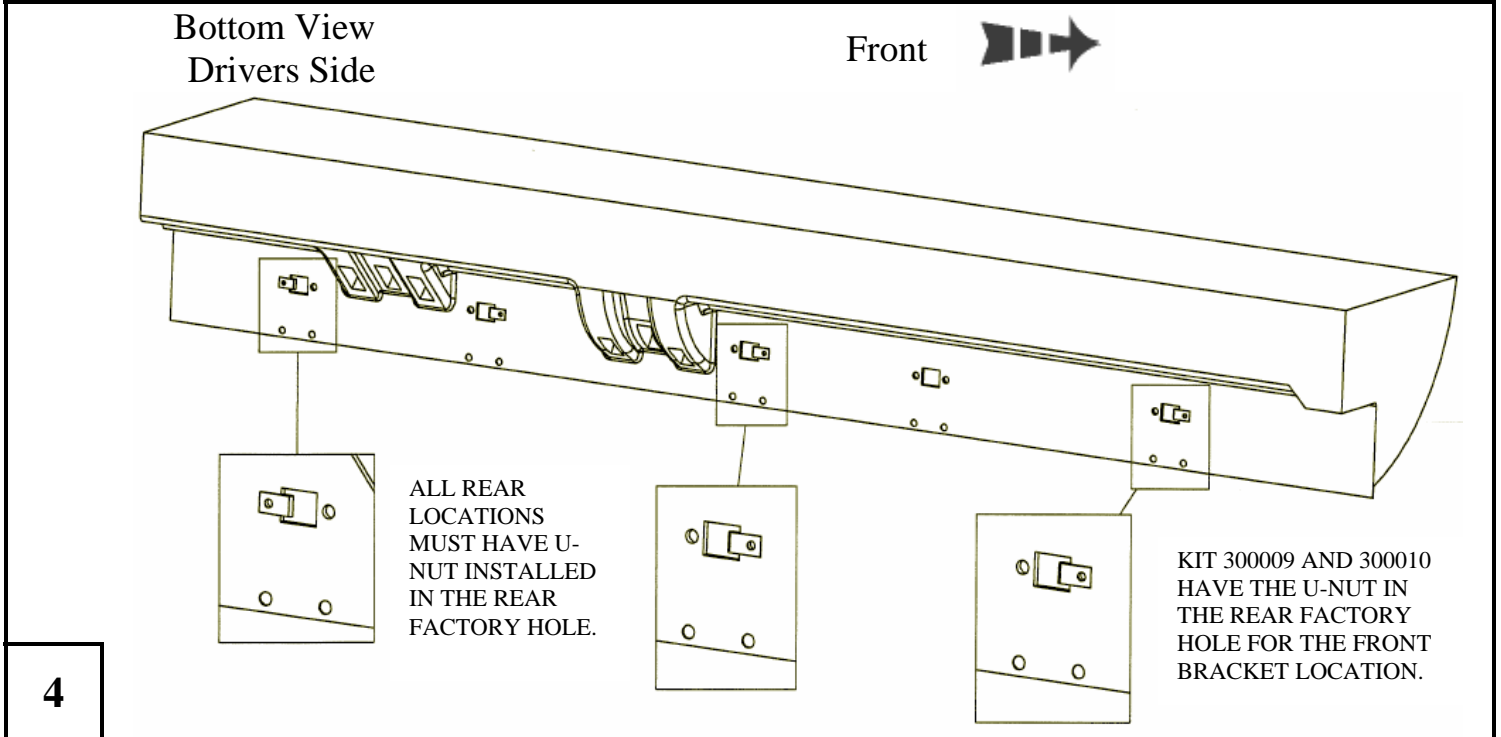


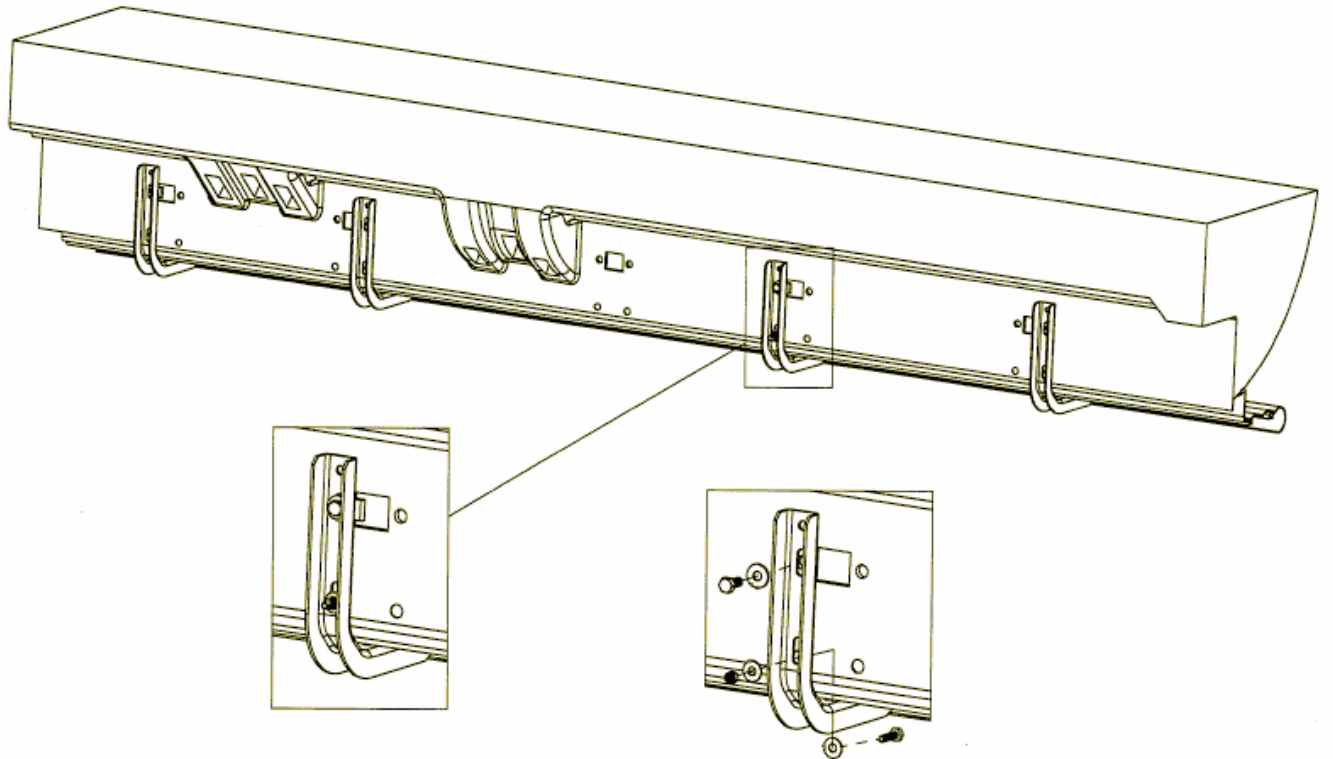
Level

Installation Steps



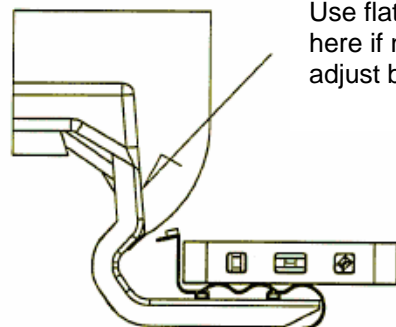
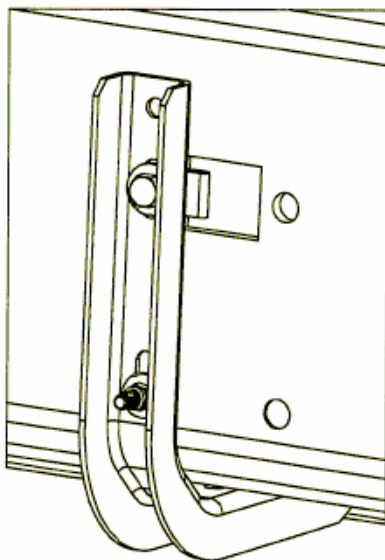
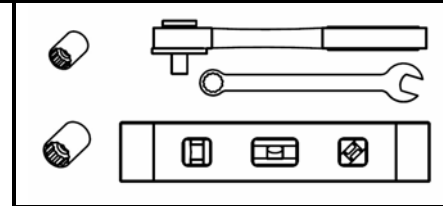
X2 Kit 300010
 X3 Kit 300009
 X4 Kit 300008





X2 Kit 300010
X3 Kit 300009
X4 Kit 300008

5



Use flat washers here if needed to adjust bracket.

6