

Installation Instructions



Lund EZ Bracket™

Important Safety Information

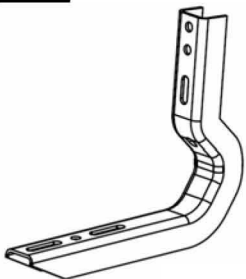
⚠️ WARNING

- **To be used with Lund branded products only.**
- Do not stand on Lund [running board](#) or bracket while vehicle is in motion.
- Do not exceed 350lbs. weight on the Lund EZ bracket system.
- Do not use the Lund EZ bracket system as a jacking point for vehicle.
- Do not use Lund EZ bracket system or running boards to fasten cargo.
- Periodically check all components for tightness.

⚠️ CAUTION

- Be sure to wear safety glasses while installing Lund EZ bracket system.
- When using power tools read and understand all operating instructions.

Contents



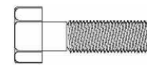
(4) Bracket



(8) Self Tapping Screw



(8) Flat washer



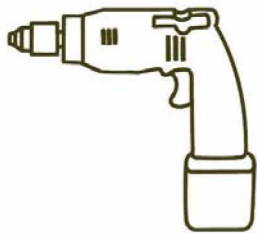
(4) 1/4"-20 x 1



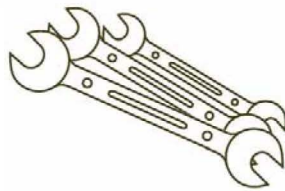
(4) 1/4"-20

Extra washers are provided for alignment and are only to be used if needed.

Tools Required



Drill



7/16 Wrench



Hammer



Ratchet



Silicone



Marker



Level



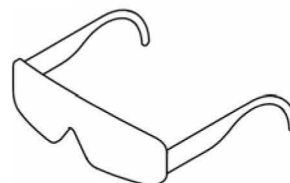
Center Punch



1/8" Drill Bit



1/4" Drill Bit

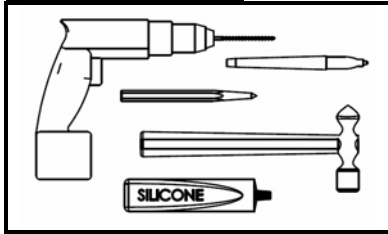


Safety Glasses



3/8 and 7/16 Socket

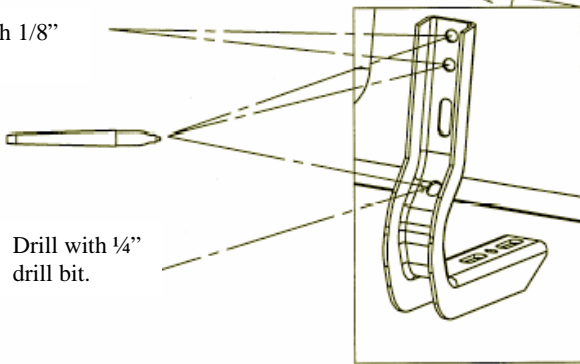
Installation Steps



Bottom View
Drivers Side

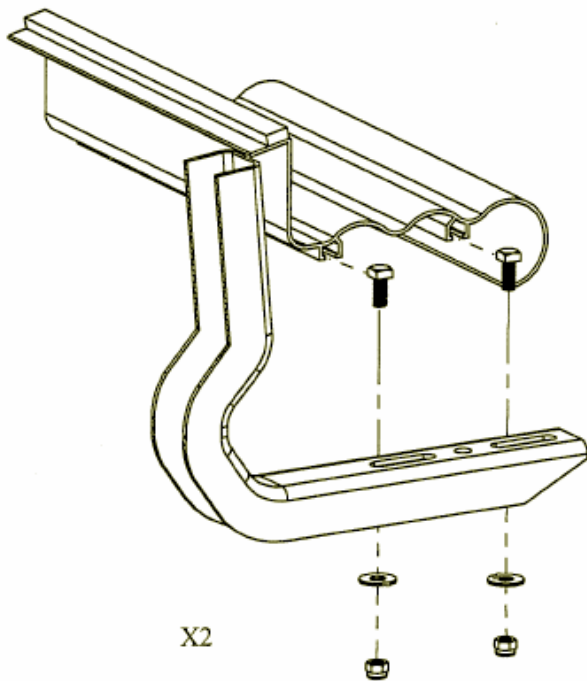
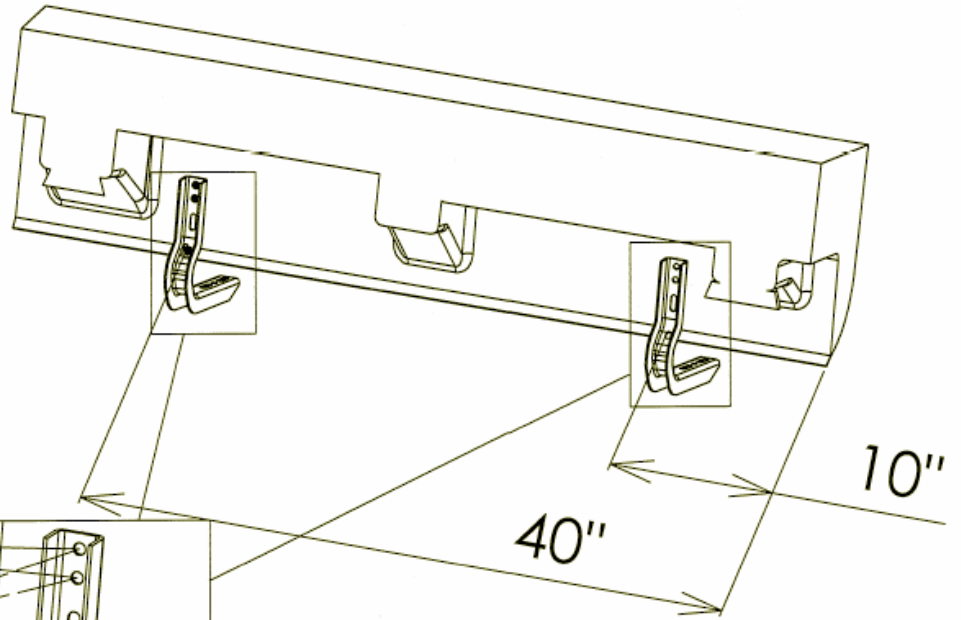
Front

Drill with 1/8" drill bit.



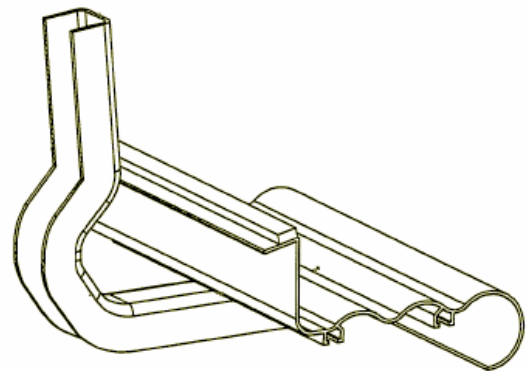
Drill with 1/4" drill bit.

1



2

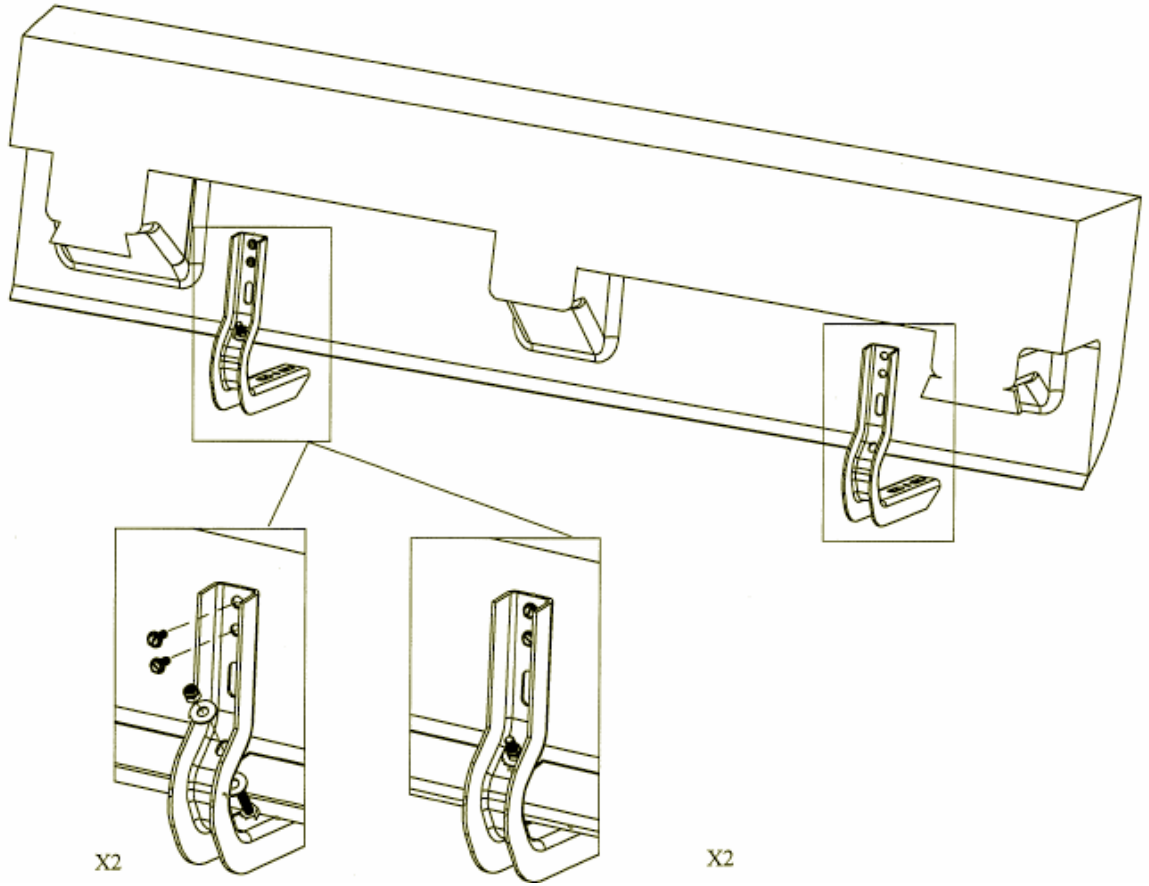
X2



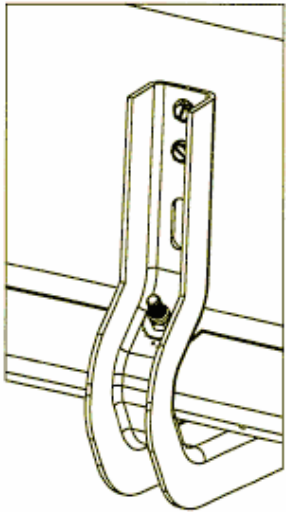
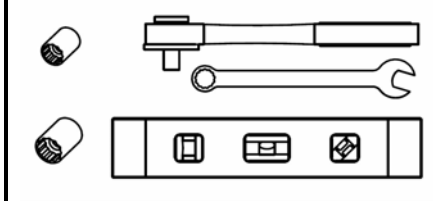
Finger Tighten.

X2

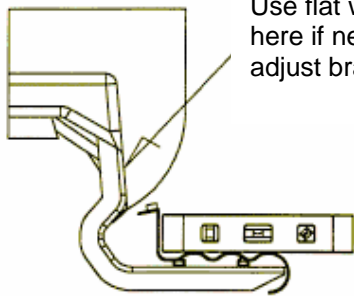
3



4



X2



Use flat washers here if needed to adjust bracket.

5