

Installation Instructions



Lund EZ Bracket™

Important Safety Information

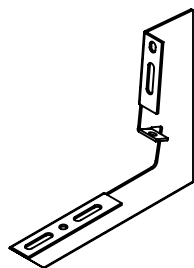
⚠️ WARNING

- To be used with Lund branded products only.
- Do not stand on Lund [running board](#) or bracket while vehicle is in motion.
- Do not exceed 350lbs. weight on the Lund EZ bracket system.
- Do not use the Lund EZ bracket system as a jacking point for vehicle.
- Do not use Lund EZ bracket system or running boards to fasten cargo.
- Periodically check all components for tightness.

⚠️ CAUTION

- Be sure to wear safety glasses while installing Lund EZ bracket system.
- When using power tools read and understand all operating instructions.

Contents



(6) Bracket

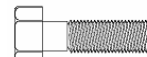
Extra washers are provided for alignment and are only to be used if needed.



(12) Self Tapping
Screw



(12) Flat
washer

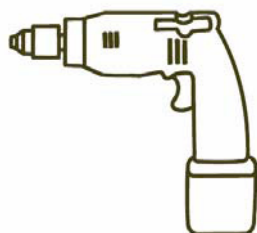


(6) 1/4"-20 x 1

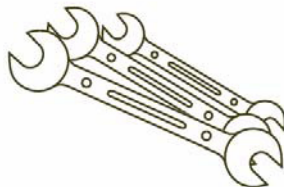


(6) 1/4"-20

Tools Required



Drill



7/16 Wrench



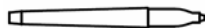
Hammer



Ratchet



Silicone



Marker



Level



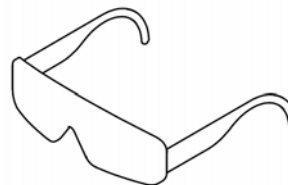
Center Punch



1/8" Drill Bit



1/4" Drill Bit

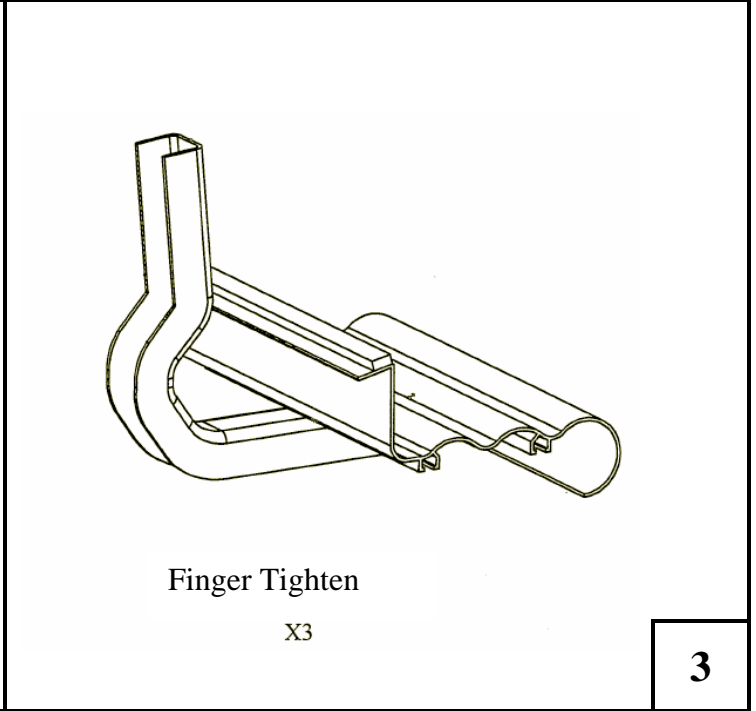
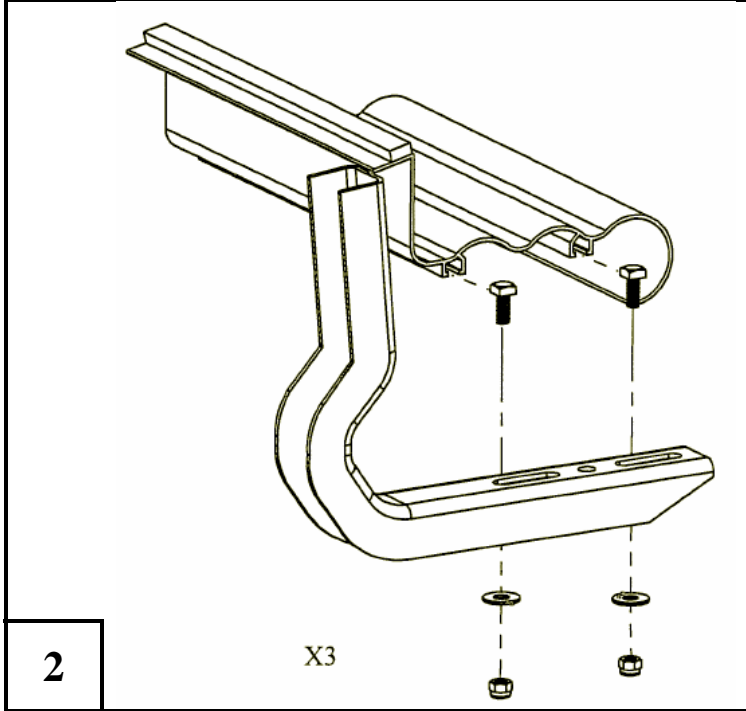
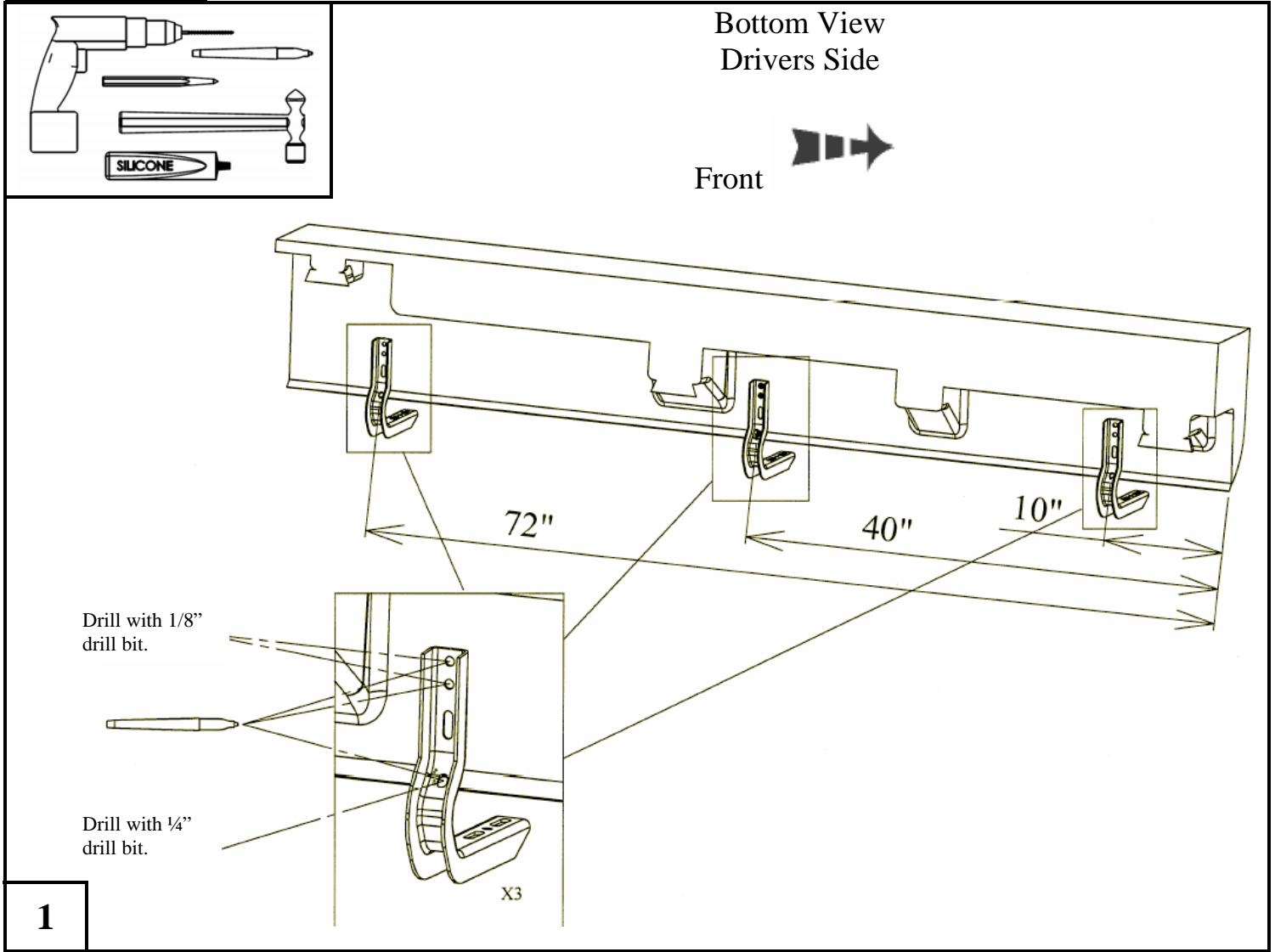


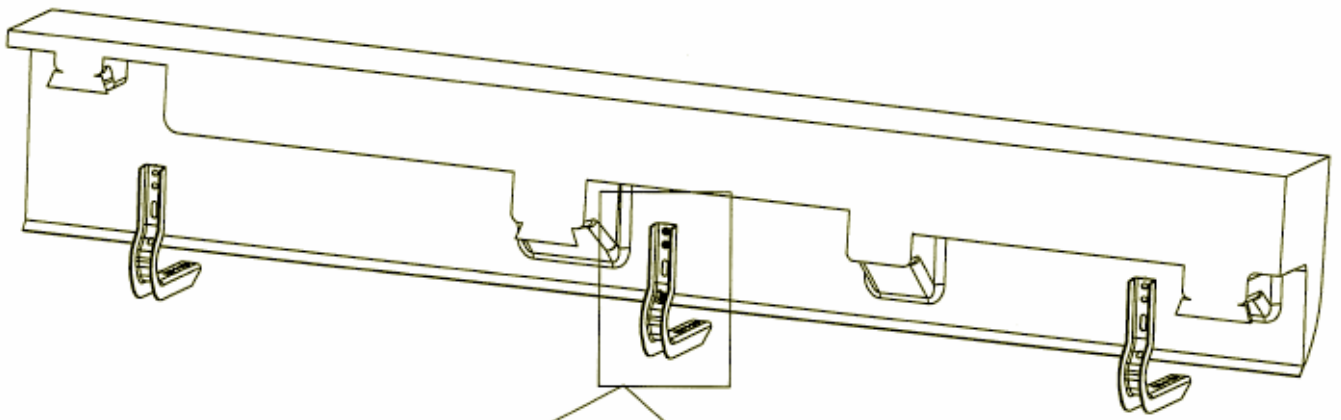
Safety Glasses



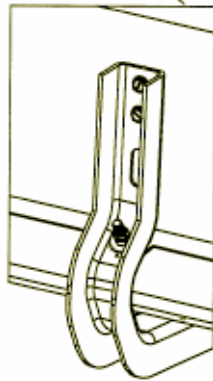
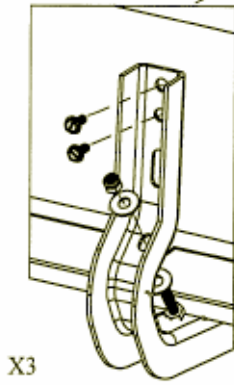
3/8 and 7/16 Socket

Installation Steps

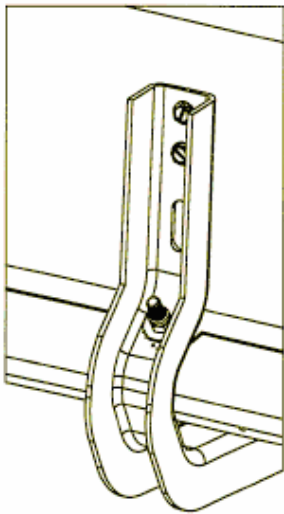
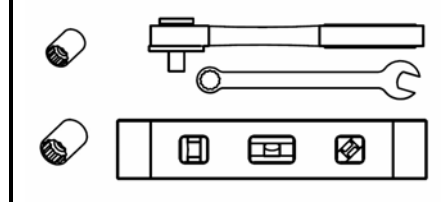




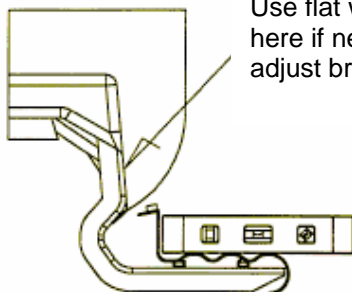
4



X3



X2



Use flat washers here if needed to adjust bracket.

5