

Installation Instructions

LUND®

Lund EZ Bracket™

Important Safety Information

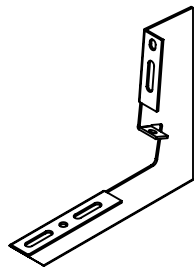
⚠️ WARNING

- **To be used with Lund branded products only.**
- Do not stand on Lund [running board](#) or bracket while vehicle is in motion.
- Do not exceed 350lbs. weight on the Lund EZ bracket system.
- Do not use the Lund EZ bracket system as a jacking point for vehicle.
- Do not use Lund EZ bracket system or running boards to fasten cargo.
- Periodically check all components for tightness.

⚠️ CAUTION

- Be sure to wear safety glasses while installing Lund EZ bracket system.
- When using power tools read and understand all operating instructions.

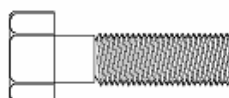
Contents



(8) Bracket



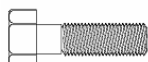
(8) Self Tapping Screw



(4) 8mm x .75



(4) 5/16 Flat washer



(8) 1/4"-20 x 1



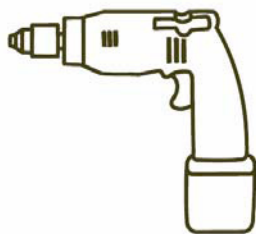
(16) 1/4" flat washer



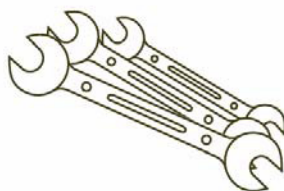
(8) 1/4"-20

Extra washers are provided for alignment and are only to be used if needed.

Tools Required



Drill



Wrench Set



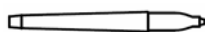
Hammer



Ratchet



Silicone



Marker



Level



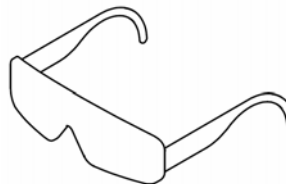
Center Punch



1/8" Drill Bit



5/16" Drill Bit

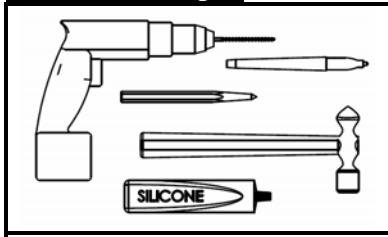


Safety Glasses



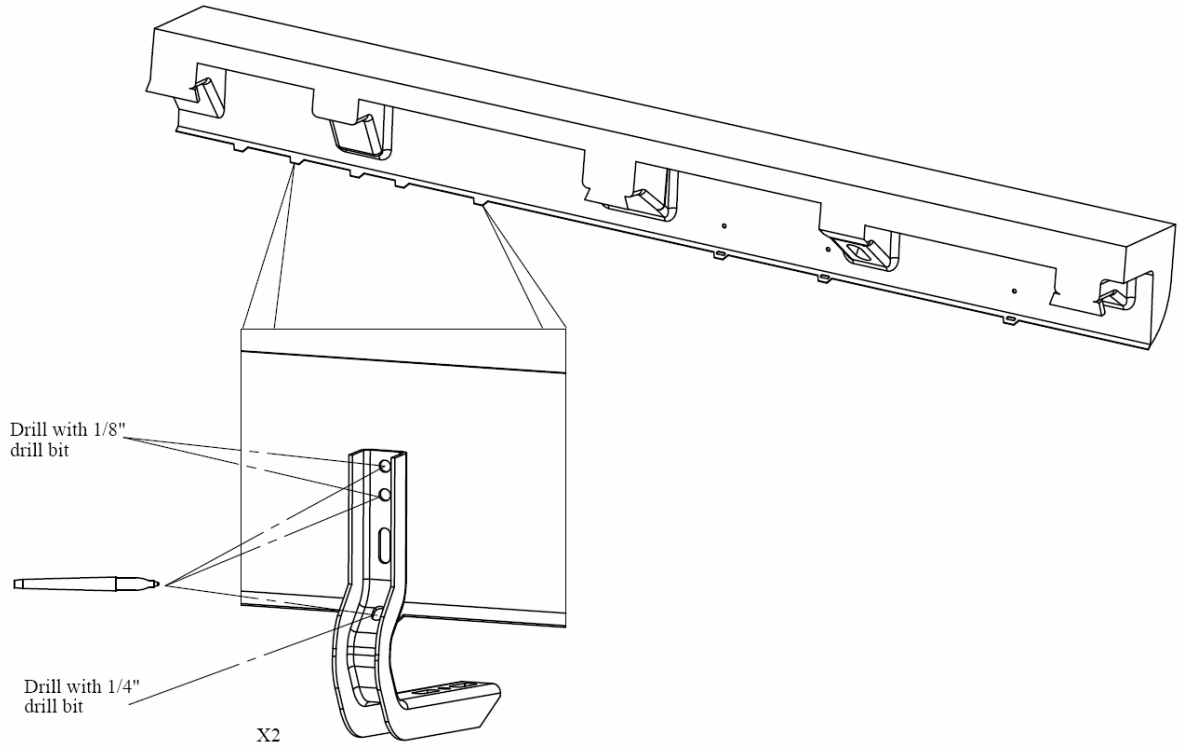
Socket Set

Installation Steps

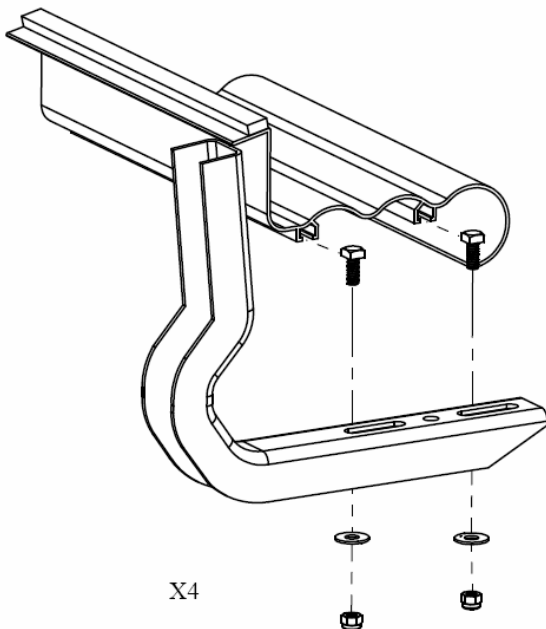


Bottom View
Drivers Side

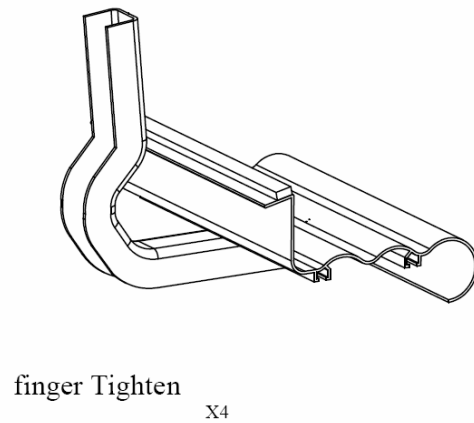
Front 



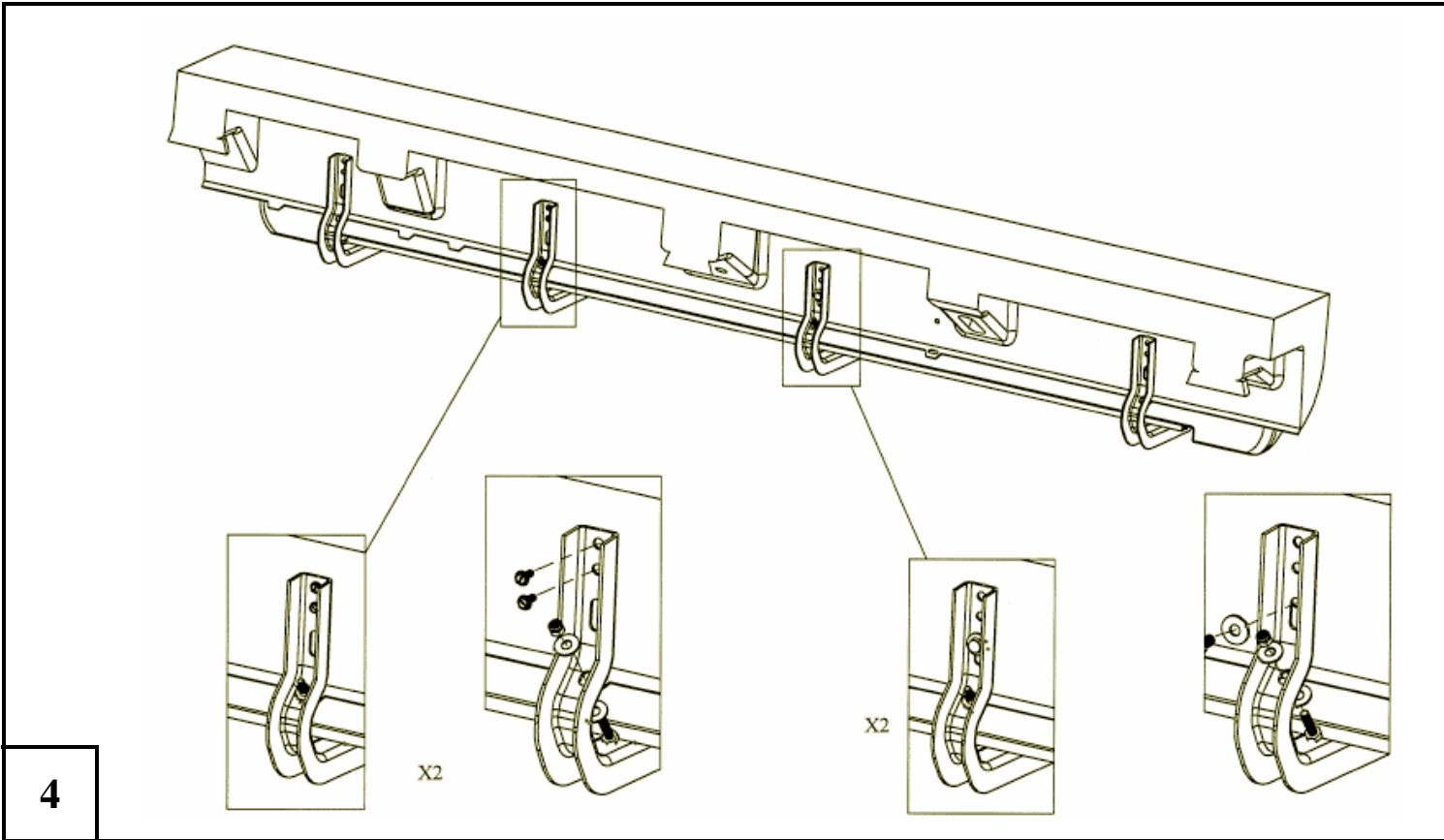
1



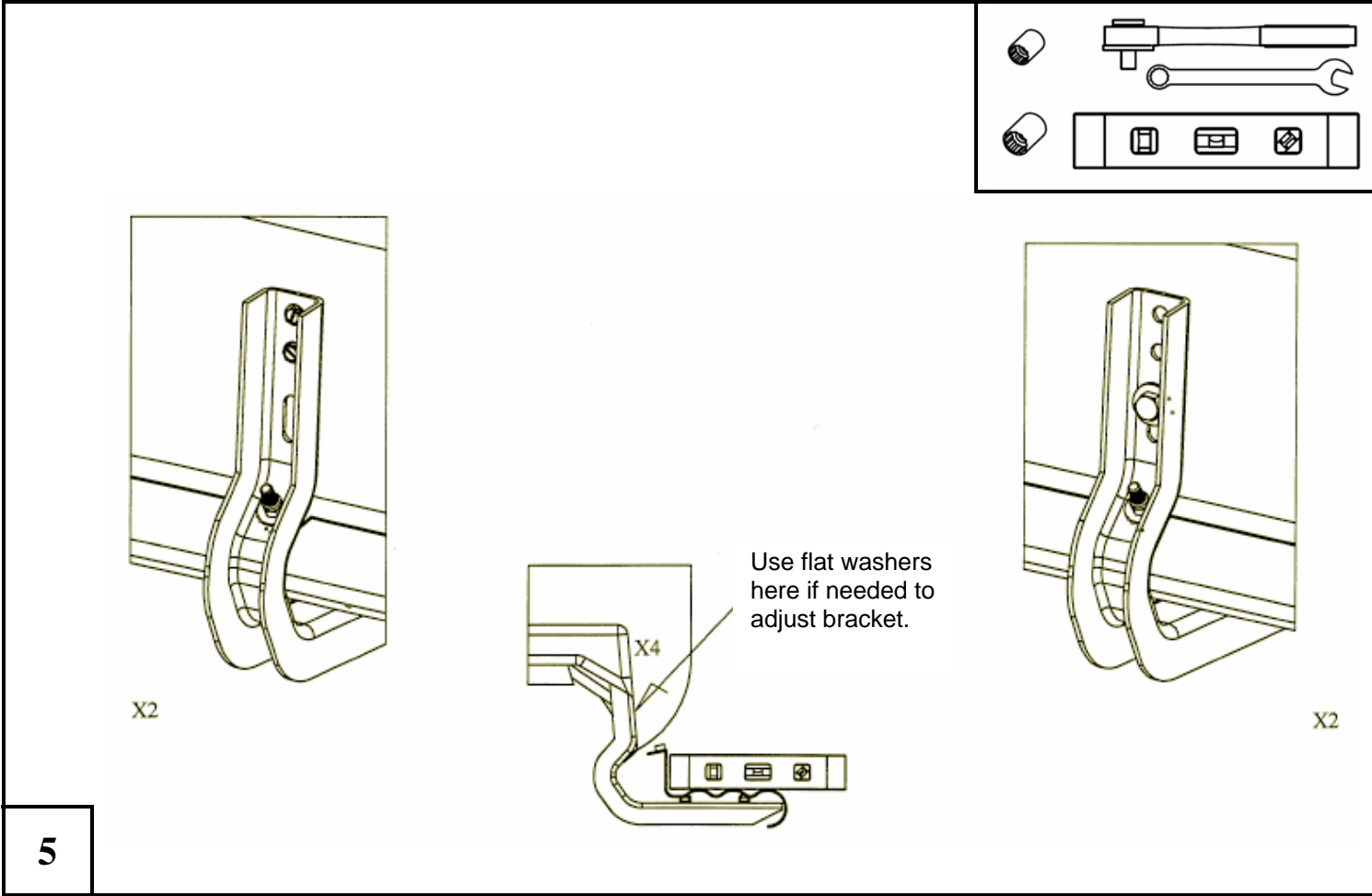
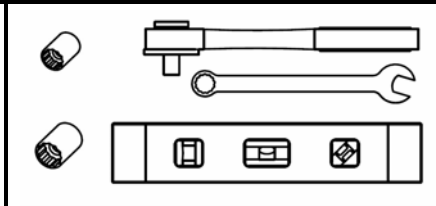
2



3



4



5