

# Installation Instructions

Part Number: 2911XX  
2912XX



45280  
Rev. D

## TrailRunner - Extruded™

For proper installation an best possible fit, please read all instructions BEFORE you begin.

### Important Safety Information



#### CAUTION:

- Before driving, ensure the [running board](#) is properly installed on the vehicle.
- Do not exceed 350 lbs. on running boards
- Do not stand on running boards while the vehicle is in motion.
- Periodically check all components for tightness.
- Do not use cleaning solvents of any kind.

### Contents



Running Board  
Qty. 2



Left End Cap  
Qty. 2



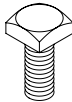
Right End Cap  
Qty. 2



Tread Mat  
Qty. 4



Gasket  
Qty. 15 ft.



1/4-20 x 3/4  
Square Head Bolt  
Qty. 16



1/4-20  
Nylock Nut  
Qty. 16



1/4 Washer  
Qty. 16

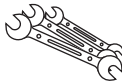


Black Rivet  
Qty. 30

### Tools Required



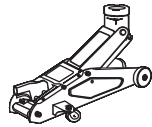
Standard Socket Set



Standard Wrench Set



Silicone



Floor Jack



Hammer



Center Punch



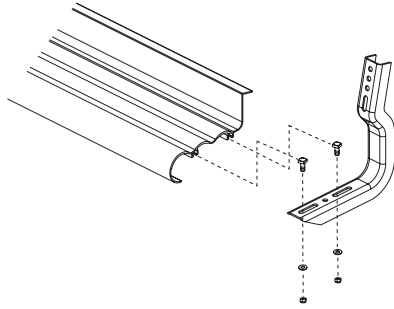
Drill



3/16" Drill Bit

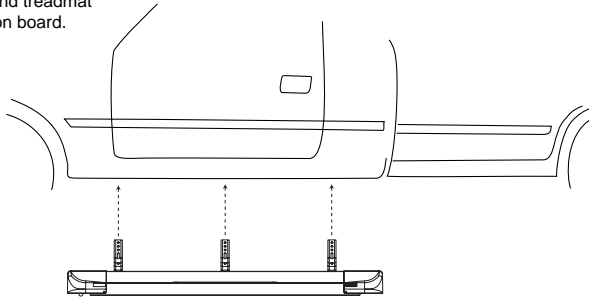
## Installation Steps

Slide square head bolts into slots on bottom of board. Fasten brackets to board using square head bolts, washers and nuts. Leave brackets loose.



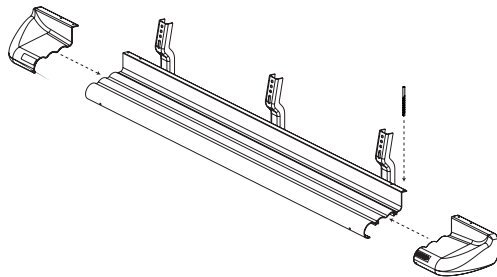
1

Evenly space brackets on board. Hold board into place on truck. Position end caps and treadmat in desired location and mark holes on board.



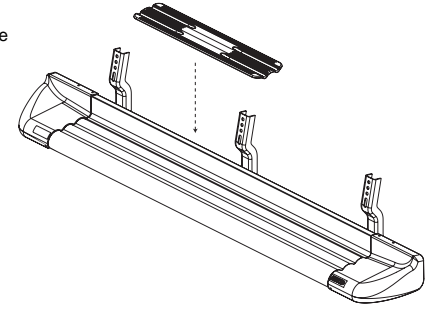
2

Lower board and drill location with 3/16 drill bit.



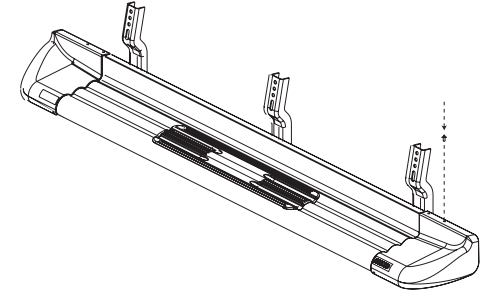
3

Position treadmat in desired location. Mark holes. Line up holes and insert rivets. Install rivet by hitting firmly with hammer.



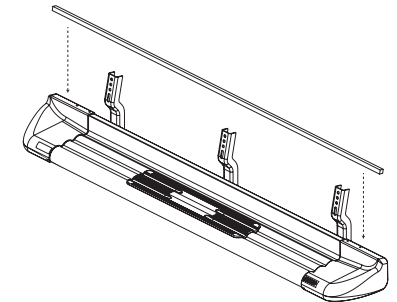
4

Line up end caps with holes and insert rivets. Install rivet by hitting firmly with hammer.



5

Center gasket on board and attach per illustration.



6