



Step Rails™

For proper installation and best possible fit, please read all instructions. For technical

Important Safety Information



CAUTION:

- Before driving, ensure the [running board](#) is properly anchored to the vehicle.
- Do not exceed 350 lbs. on running boards
- Do not stand on running boards while the vehicle is in motion.
- Periodically check all components for tightness.
- Do not use cleaning solvents of any kind.
- Wear safety glasses when operating power tools.

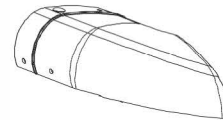
Contents



Running Board
Qty. 2



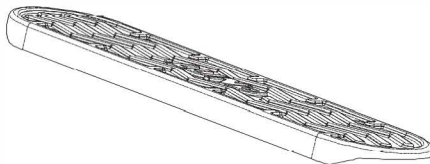
Left End Cap
Qty. 2



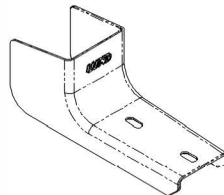
Right End Cap
Qty. 2



Black Rivet
Qty. 30



Tread Mat
Qty. 2 (54")
Qty. 4 (70"-90")



Cover
Qty. 4 (54")
Qty. 8 (70"-90")



1/4"-20 X 3/4" Square
Head Bolt

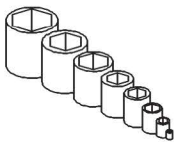


1/4" Nylock Nut
Qty. 16

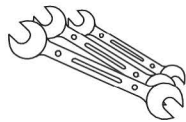


1/4" Washer
Qty. 16

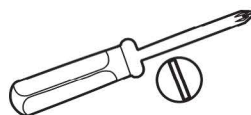
Tools Required



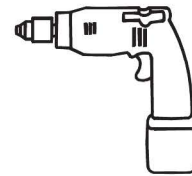
Standard Socket Set



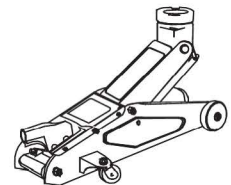
Standard Wrench Set



Flat Head Screwdriver



Drill



Floor Jack



Safety Glasses



Hammer



Center Punch

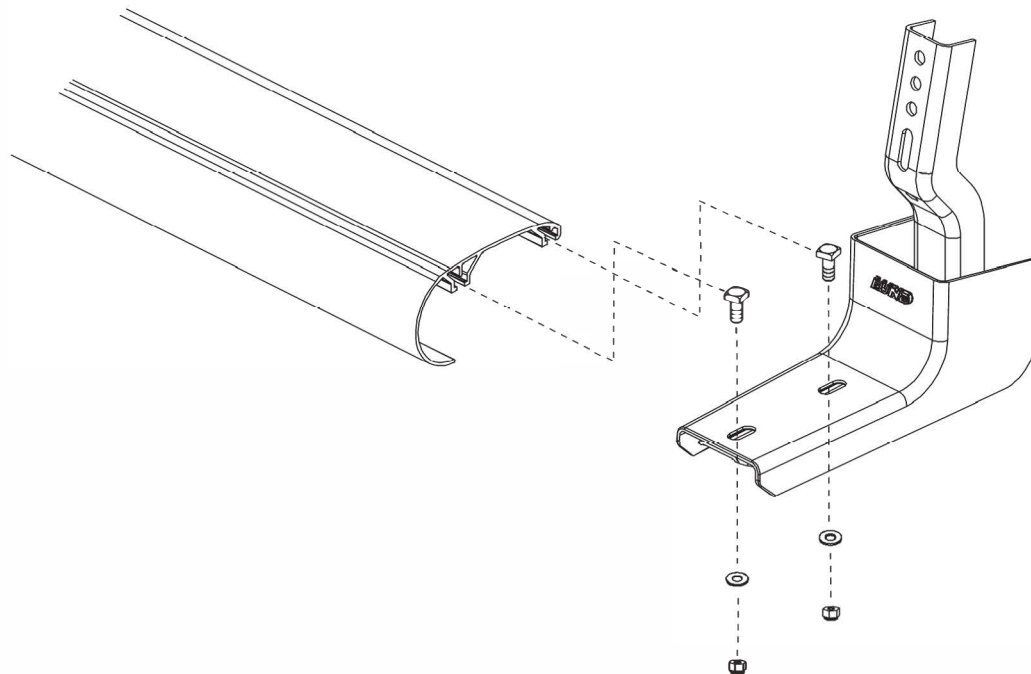


Silicone



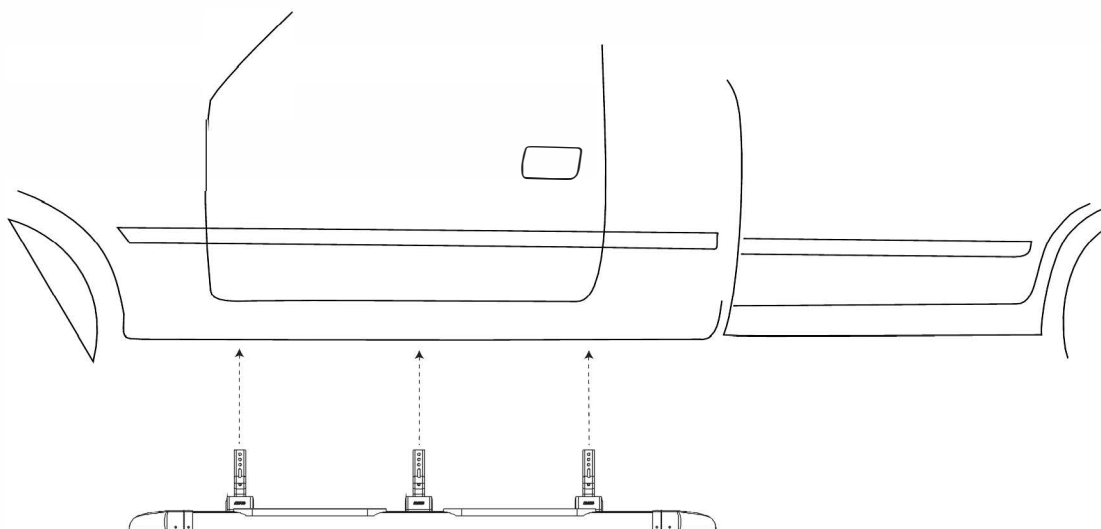
3/16" Drill Bit

Installation Steps



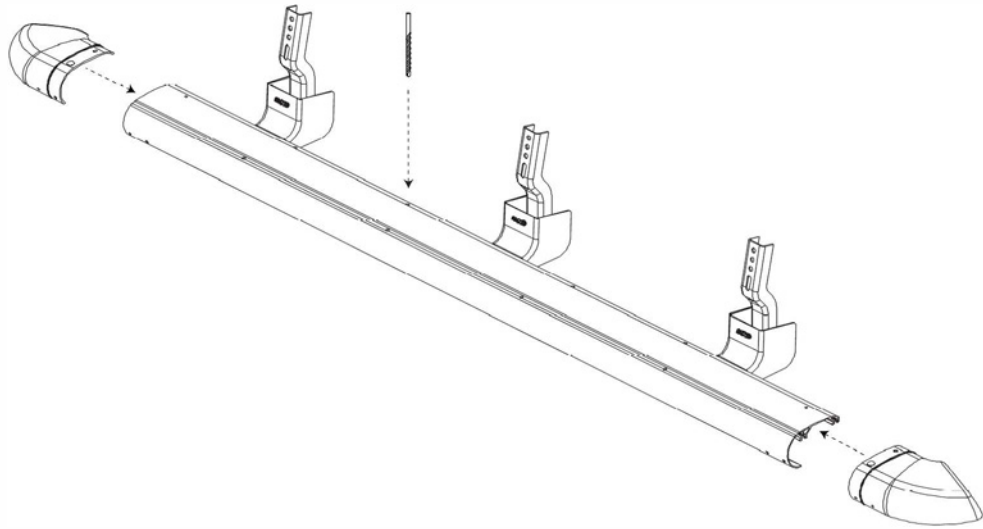
1

Slide square head bolts into lots on bottom of board. Fasten covers and brackets to board usin square head bolts, washers and nuts. Leave brackets loose.



2

Evenly space brackets on board. Hold board into place on truck. Position end caps and treadmats in desired location and mark holes on board.

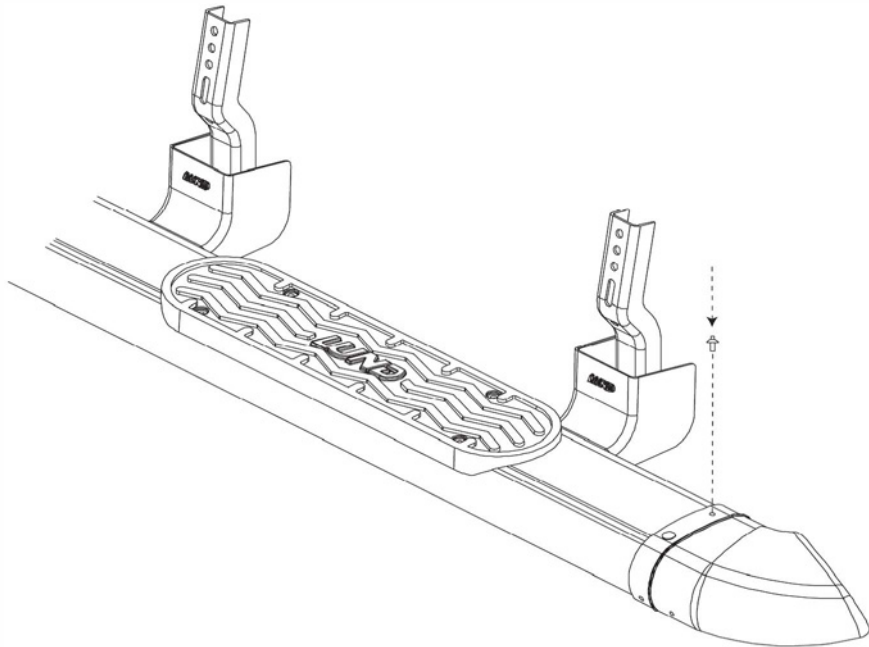


Lower board and drill locations with 3/16 drill bit.

3



CAUTION; Drill bit may break. Always use safety glasses with power tools



Line up end caps with holes and insert rivets. Install rivet by hitting firmly with hammer. Repea step for treadmats.

4

Note: Bracket cover my require notching for rocker or secondary bracket clearance.

Care and Cleaning

- Wash only with mild soap and dry with a clean cloth.
- Bare aluminum should be polished to maintain bright finish.

Congratulations!

You have purchased one of the many quality Lund® branded products offered by Lund International, Inc. We take the utmost pride in our products and want you to enjoy years of satisfaction from your investment. We have made every effort to ensure that your product is top quality in terms of fit, durability, finish, and ease of installation.

