

Installation Instructions

I - Sheet Number I-PW013021 Rev.A



Premium Style. Lasting Performance.

For proper installation and best possible fit, please read all instructions BEFORE you begin.

Care and Cle

- Wash only with mild soap & dry with a clean cloth.
- Every 3 months or 5000 miles check the cover tension and all components for tightness.

Congratulations!

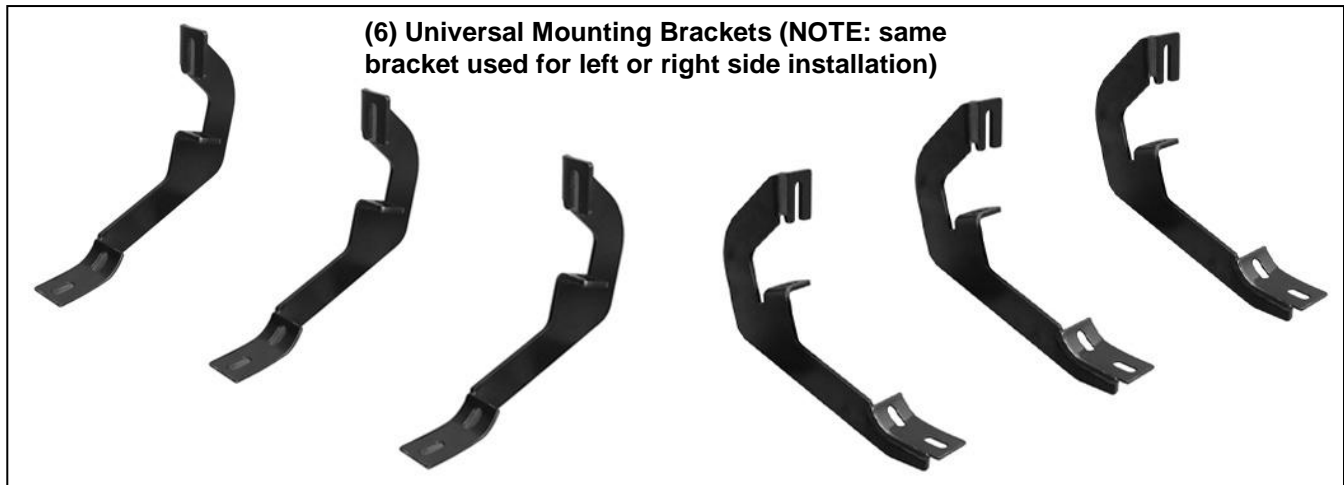
You have purchased one of the many quality Lund® branded products offered by Lund International, Inc. We take the utmost pride in our products and want you to enjoy years of satisfaction from your investment. We have made every effort to ensure that your product is top quality in terms of fit, durability, finish and ease of installation.

INSTALLATION INSTRUCTIONS

PART# 244104009/260104009

PARTS LIST:

Qty	Description	Qty	Description
1	Driver/Left Sidebar	24	8-1.25mm x 25mm Hex Bolt
1	Passenger/Right Sidebar	24	8mm x 24mm OD x 2mm Flat Washer
6	Universal Left/Right Brackets	24	8mm Lock Washer
12	8-1.25mm Clip-On Nuts		



PROCEDURE:

REMOVE CONTENTS FROM BOX. VERIFY ALL PARTS ARE PRESENT. READ INSTALLATION INSTRUCTIONS CAREFULLY BEFORE STARTING INSTALLATION. ASSISTANCE IS RECOMMENDED.

1. Start the installation under the driver side of the vehicle. Locate the (4) tabs with holes along the bottom edge of the body, (**Figures 1 & 2**). **IMPORTANT:** Installation will use the 1st, 2nd and 4th mounting tabs only. Directly above each tab is a top mounting location on the side of the body panel. If necessary, hold a Mounting Bracket up in place to help determine the correct mounting holes to use along the body.
2. Determine the correct procedure for your model year and each Bracket location.

Bottom mounting location on the edge of the pinch weld.

Flat tab on pinch weld with hole:

Select (1) 8mm Clip Nut. Slide the Clip Nut over the tab with the nut facing up behind the tab, (**Figure 3**).

Line up the threaded nut with the hole in the tab. Repeat for each mounting location.

Flat tab on pinch weld with factory installed threaded insert:

Thread a hex bolt into the insert from the backside-down to clear paint from the threads as required.

Use a small amount of oil if necessary, (**Figure 3**).

Top mounting location on the side of the body panel.

Large hole in side of body panel with rubber plug:

Remove the rubber plug from the large hole, (**Figure 4**). Select (1) 8mm Clip Nut. Slide the Clip Nut into the larger hole. Line up the threaded nut with the smaller hole next to the large opening, (**Figure 5**).

Models with factory installed threaded insert in body panel:

Thread an 8mm Hex Bolt into insert to clear paint as required, (**Figure 3**).

3. Select (1) Mounting Bracket. **NOTE:** Brackets are universal and will fit left or right side. Bolt the Mounting Bracket to the Clip Nuts and/or factory threaded hole with (2) 8mm Hex Bolts, (2) 8mm Lock Washers and (2) 8mm Flat Washers, (**Figure 6**). Snug but do not fully tighten the hardware.

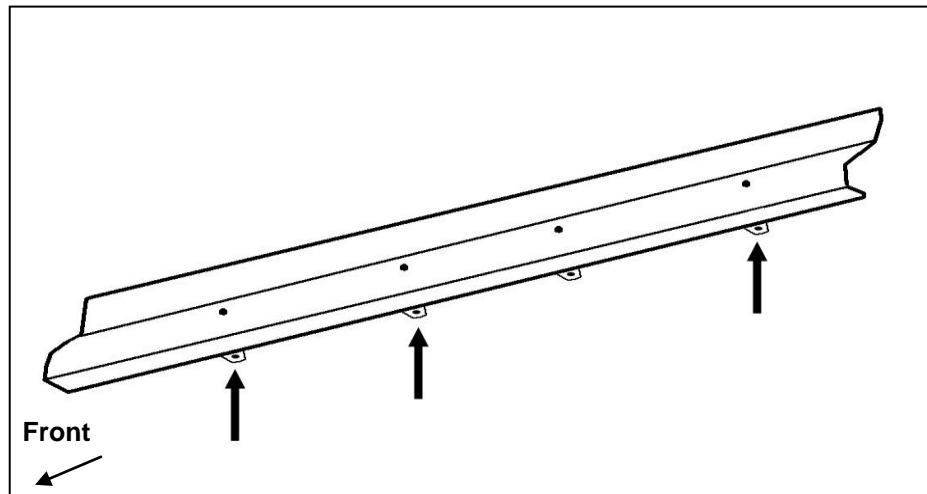
4. Repeat **Steps 1—3** for center and rear Bracket installations, (**Figures 7 & 8**).
5. Carefully position the Driver Sidebar onto the (3) Mounting Brackets. Attach the Sidebar to the Mounting Brackets with (6) 8mm x 25mm Hex Bolts, (6) 8mm Lock Washers and (6) 8mm Flat Washers, (**Figures 9 & 10**). Do not tighten hardware at this time (continued).
6. Level and adjust the Sidebar and tighten all hardware.
7. Repeat **Steps 1—6** for driver Sidebar installation.
8. Do periodic inspections to the installation to make sure that all hardware is secure and tight.

To protect your investment, wax this product after installing. Regular waxing is recommended to add a protective layer over the finish. Do not use any type of polish or wax that may contain abrasives that could damage the finish.

For stainless steel: Aluminum polish may be used to polish small scratches and scuffs on the finish. Mild soap may be used also to clean the Sidebar.

For gloss black finishes: Mild soap may be used to clean the Sidebar.

Passenger Side Installation Pictured



(Fig 1) Passenger side mounting locations (for example only)

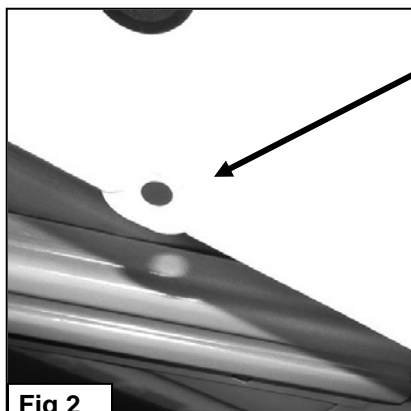


Fig 2

Factory hole in tab pictured from below.
NOTE: Depending on model/year, hole may be open as pictured or filled with an 8mm threaded insert.

Factory 8mm threaded insert in body panel

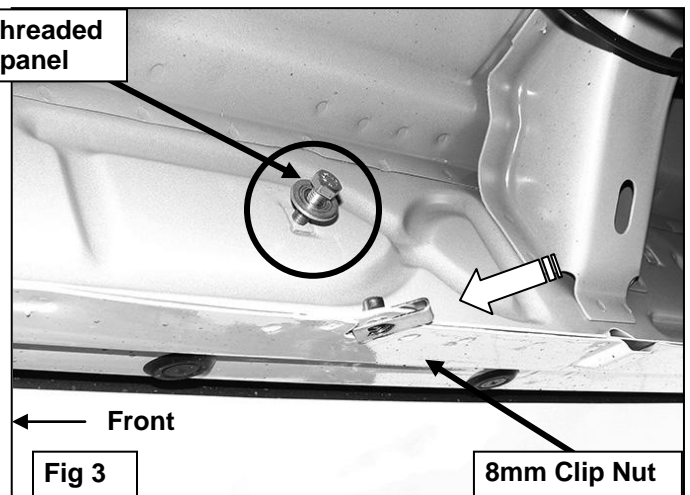
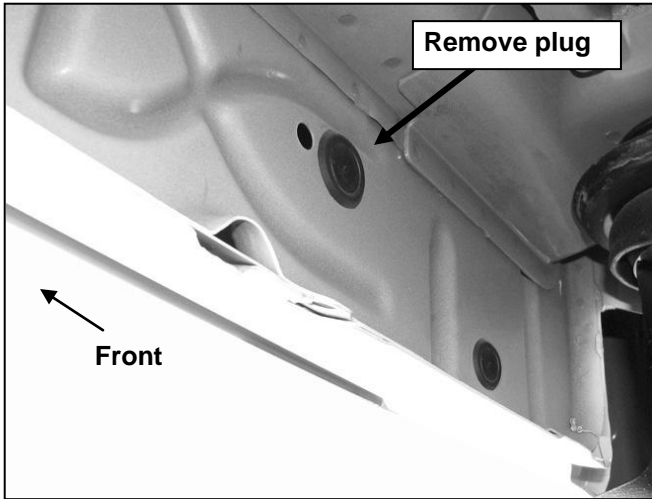


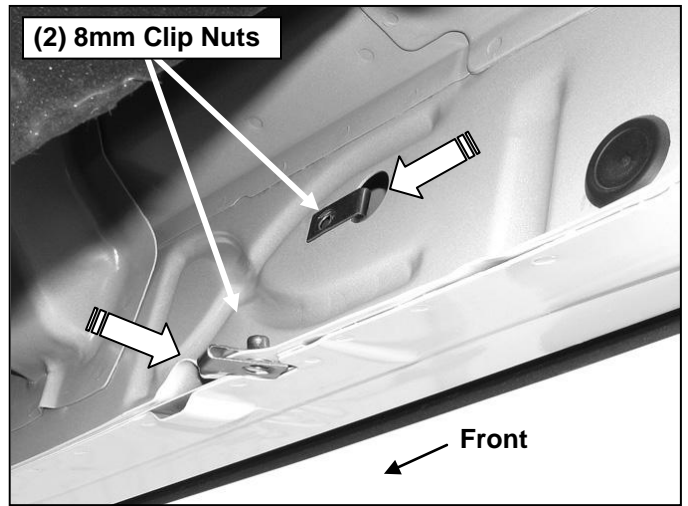
Fig 3

8mm Clip Nut

Passenger Side Installation Pictured

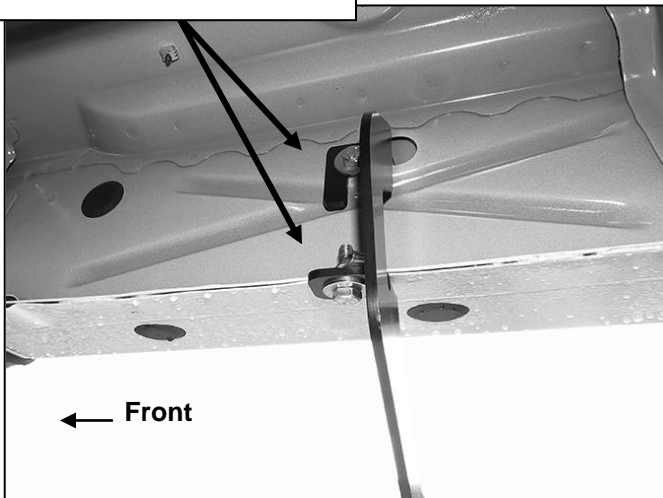


(Fig 4) Passenger/right rear location pictured



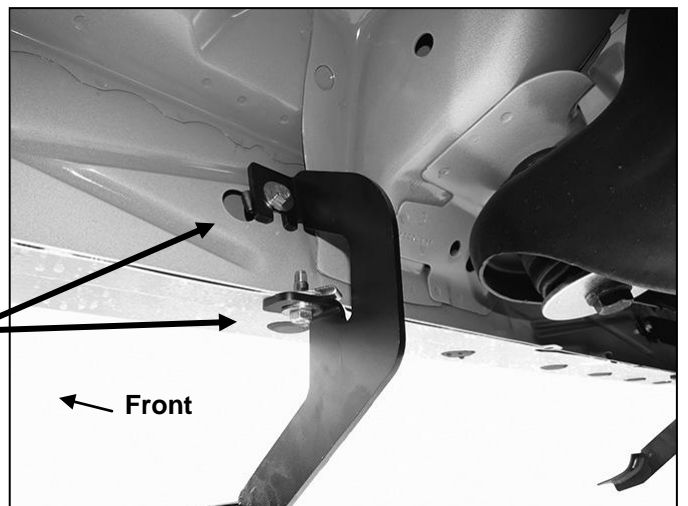
(Fig 5) Slide 8mm Clip Nut into large hole at top. Line up threaded nut over small hole

- (2) 8mm x 25mm Hex Bolts
- (2) 8mm Lock Washers
- (2) 8mm Flat Washers



(Fig 6) Passenger/right front Bracket installation

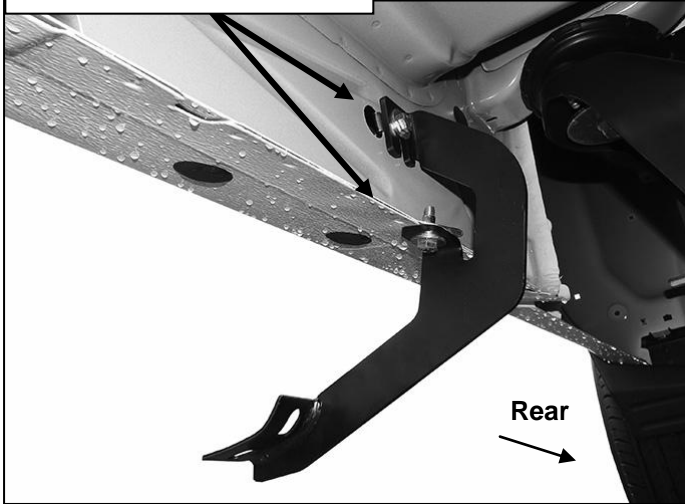
- (2) 8mm x 25mm Hex Bolts
- (2) 8mm Lock Washers
- (2) 8mm Flat Washers



(Fig 7) Passenger/right center Bracket installation

Passenger Side Installation Pictured

- (2) 8mm x 25mm Hex Bolts
- (2) 8mm Lock Washers
- (2) 8mm Flat Washers



(Fig 8) Passenger/right rear Bracket installation

- (2) 8mm x 25mm Hex Bolts
- (2) 8mm Lock Washers
- (2) 8mm Flat Washers



(Fig 9) Passenger side front Bracket installation

- (2) 8mm x 25mm Hex Bolts
- (2) 8mm Lock Washers
- (2) 8mm Flat Washers

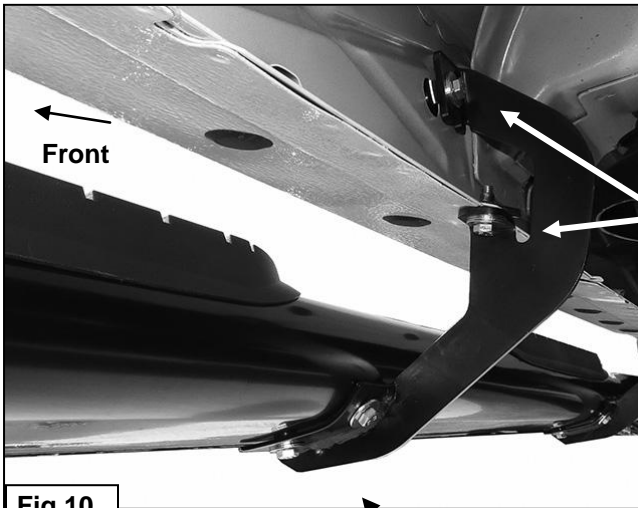


Fig 10

- (2) 8mm x 25mm Hex Bolts
- (2) 8mm Lock Washers
- (2) 8mm Flat Washers

- (2) 8mm x 25mm Hex Bolts
- (2) 8mm Lock Washers
- (2) 8mm Flat Washers



Complete Installation