

# Installation Instructions

I - Sheet Number I-B075401 Rev.A



Premium Style. Lasting Performance.

For proper installation and best possible fit please read all instructions BEFORE you begin

## Care and Cleaning

- Wash only with mild soap & dry with a clean cloth.
- Every 3 months or 5000 miles check the cover tension and all components for tightness.

## Congratulations!

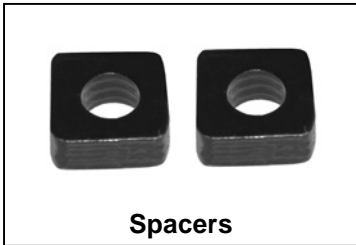
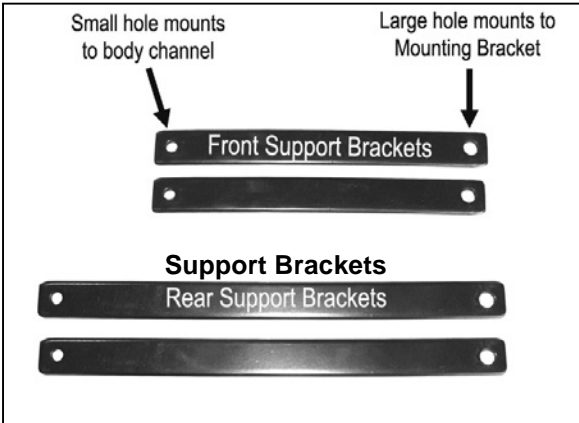
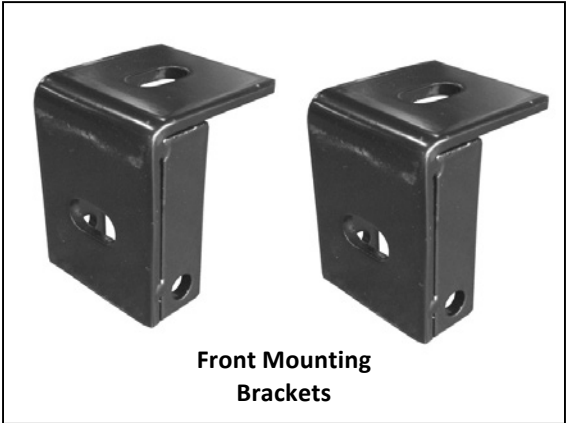
You have purchased one of the many quality Lund® branded products offered by Lund International, Inc. We take the utmost pride in our products and want you to enjoy years of satisfaction from your investment. We have made every effort to ensure that your product is top quality in terms of fit, durability, finish and ease of installation.

# INSTALLATION INSTRUCTIONS

PART# 22672754/ 23072754

**PARTS LIST:**

1	Driver/Left Sidebar	4	12-1.75mm x 120mm Hex Head Bolts
1	Passenger/Right Sidebar	4	½" x 2" Hex Head Bolts
1	Driver/Left Front Mounting Bracket	8	½" Lock Washers
1	Driver/Left Rear Mounting Bracket	8	12.9mm ID x 36mm OD x 3mm Flat Washers
1	Driver/Left Front Support Bracket (small)	4	10-1.50mm x 35mm Hex Head Bolts
1	Driver/Left Rear Support Bracket (large)	4	10mm Lock Washers
1	Passenger/Right Front Mounting Bracket	4	10mm Hex Nuts
1	Passenger/Right Rear Mounting Bracket	8	10mm ID x 20mm OD x 2mm Flat Washers
1	Passenger/Right Front Support Bracket (small)	4	ST6 x 25mm Sheet Metal Screws
1	Passenger/Right Rear Support Bracket (large)	4	6.5mm ID x 18mm OD x 1.6mm Flat Washers
4	Square Spacers (25 x 23 x 10mm)		



## PROCEDURE:

- 1. REMOVE CONTENTS FROM BOX. VERIFY ALL PARTS ARE PRESENT. READ INSTRUCTIONS CAREFULLY BEFORE STARTING INSTALLATION.**
2. Begin the installation by working on the driver side of the vehicle.
3. From underside of vehicle, remove the front and rear body mount bolts from body mounts.
4. Partially attach front and rear Mounting Brackets from body mounts using the included (2) 12mm x 120mm Hex Head Bolts, (2) ½" Lock Washers, and (2) 12mm Flat Washers **(Figure 1 & 2)**. **NOTE:** Shorter Mounting Brackets mount toward the front of the vehicle, longer Mounting Brackets mount toward the rear.
5. Position Driver Sidebar up to Mounting Brackets, and attach it using the included (2) ½" x 2" Hex Head Bolts, (2) ½" Lock Washers, and (2) 12mm Flat Washers **(Figure 1 & 2)**. Tighten all hardware at this time.
6. Partially attach one of the rear Support Brackets to the front side of the rear Mounting Bracket using the included (1) 10mm x 25mm Hex Head Bolt, (1) 10mm Lock Washer, (2) 10mm Flat Washers, and (1) 10mm Hex Nut **(Figure 3)**. **NOTE:** Larger hole in the Support Bracket mounts to the Mounting Bracket. If you are installing the 4" Oval Sidebar, place the included Square Spacer between the Mounting Bracket and the Support Bracket to compensate for the gap.
7. Extend Support Bracket upwards to the body channel, and use the smaller hole in the Support Bracket as a template to mark the drilling location in the body channel **(Figure 3)**.
8. Once you have marked the drilling location in the body channel, remove Support Bracket from body channel and using a 1/8" drill bit, drill out the marked location. **IMPORTANT!** Any cutting or drilling tool may break or shatter. Government regulations require safety glasses & equipment at all times when cutting or drilling.
9. Once you have drilled the hole in the body channel, attach Support Bracket to previously drilled hole using the included (1) ST6 x 25mm Sheet Metal Screw and (1) 6mm Flat Washer **(Figure 3)**. Tighten at this time. **IMPORTANT!** Do not over tighten or a pull out may occur.
10. Repeat steps 6 – 9 for driver side front Support Bracket. **NOTE:** Front Support Bracket mounts to the rear side of the Mounting Bracket **(Figure 4)**.
11. Repeat steps 2 – 10 for passenger Sidebar.
12. Do periodic inspections to the installation to make sure that all hardware is secure and tight.

**To protect your investment**, wax this product after installing. Regular waxing is recommended to add a protective layer over the finish. Do not use any type of polish or wax that may contain abrasives that could damage the finish.

**For stainless steel:** Aluminum polish may be used to polish small scratches and scuffs on the finish. Mild soap may be used also to clean the Sidebar.

**For gloss black finishes:** Mild soap may be used to clean the Sidebar.

3" & 4" OVAL SIDEBAR WITH BENT END  
 94-01 DODGE RAM 1500/94-02 RAM 2500/3500 CLUB CAB  
 98-01 DODGE RAM 1500/98-02 DODGE RAM 2500/3500 QUAD CAB

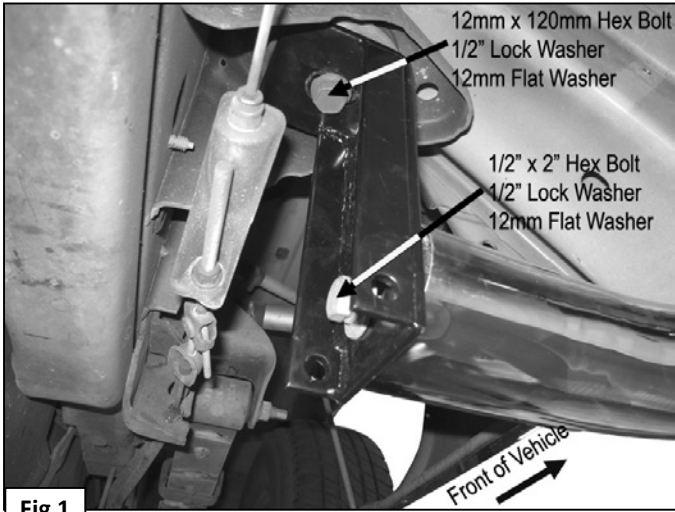


Fig 1

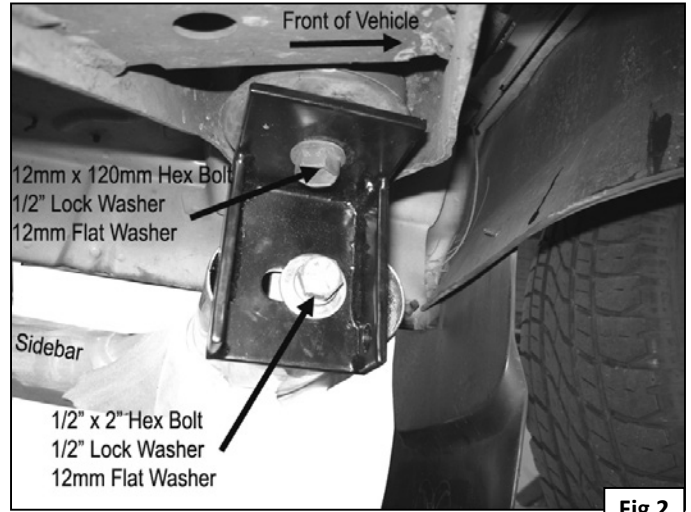


Fig 2

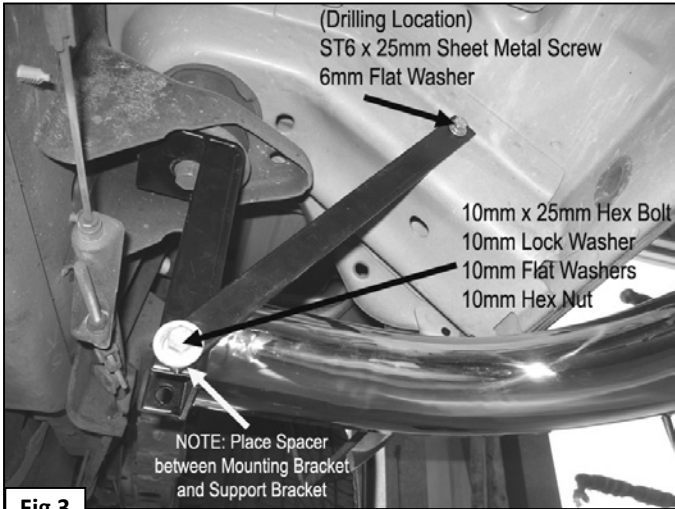


Fig 3



Fig 4



Fig 5