

Installation Instructions

I - Sheet Number I-B040033A Rev.A



Premium Style. Lasting Performance.

For proper installation and best possible fit, please read all instructions BEFORE you begin.

Care and Cleaning

- Wash only with mild soap & dry with a clean cloth.
- Every 3 months or 5000 miles check the cover tension and all components for tightness.

Congratulations!

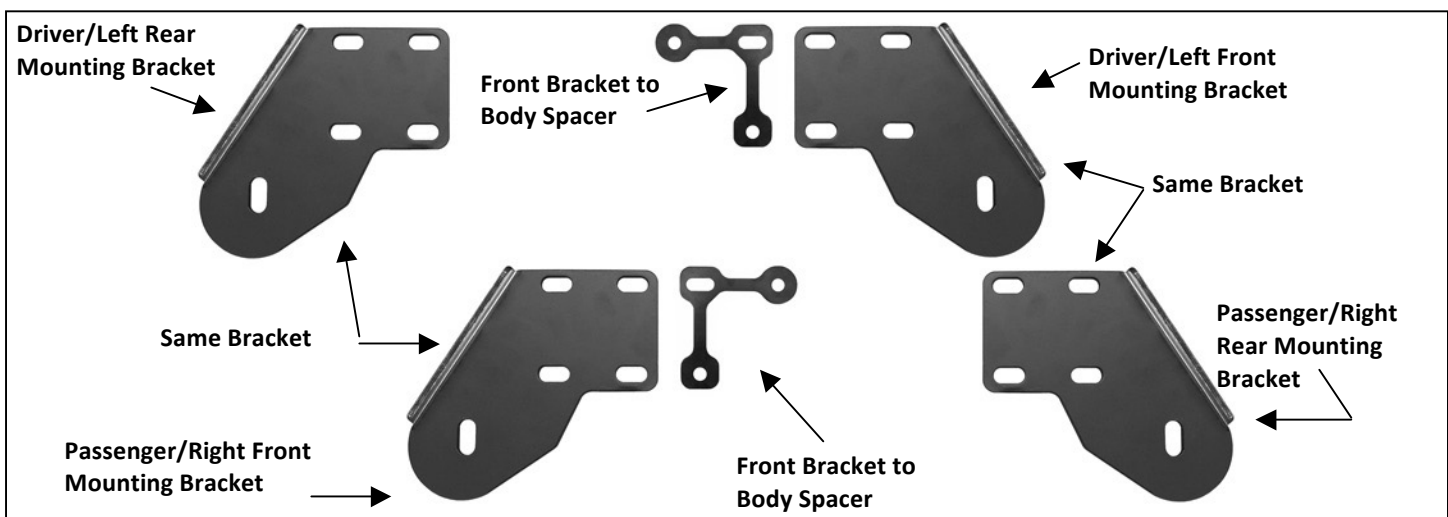
You have purchased one of the many quality Lund® branded products offered by Lund International, Inc. We take the utmost pride in our products and want you to enjoy years of satisfaction from your investment. We have made every effort to ensure that your product is top quality in terms of fit, durability, finish and ease of installation.

INSTALLATION INSTRUCTIONS

**PART# 26283400/ 26383400/ 22647423/ 23047423/ 22669401/ 23069401/ 22683400/ 23083400/
23270401/ 23470401/ 23294400/ 23494400/ 26266452/ 26366452**

PARTS LIST:

1	Passenger Sidebar	4	1/2 x 1-1/2" OD x 1/8" Flat Washers
1	Driver Sidebar	6	10mm Clip Nuts
2	Driver Side Front/Passenger Side Rear Mounting Brackets	14	10-1.50mm x 40mm Hex Head Bolts
2	Driver Side Rear/Passenger Side Front Mounting Brackets	22	10mm x 27mm OD x 3mm Flat Washers
2	Front Bracket Spacers	14	10mm Lock Washers
4	1/2" x 2" Hex Bolts	8	10mm Hex Nuts
4	1/2" Lock Washers		



PROCEDURE:

- REMOVE CONTENTS FROM BOX. VERIFY ALL PARTS ARE PRESENT. READ INSTRUCTIONS CAREFULLY BEFORE STARTING INSTALLATION. ASSISTANCE IS RECOMMENDED.**
- Starting on the driver side-front of the vehicle, locate the front set of factory holes in the body panel and the (2) holes in the pinch weld under the front of the front door, **(Figures 1 & 2)**. Insert (1) 10mm Clip Nut into the rectangular opening and line up the threaded hole in the Clip with the round hole next to the opening. **NOTE:** Threaded nut must go towards the inside of the body panel, **(Figures 1 & 2)**.
- Next, select (1) Front Bracket Spacer and (1) Driver Side Front Bracket. Line up the (2) holes in the Spacer with the Clip Nut and (1) hole in the pinch weld, **(Figures 3 & 4)**. Insert (1) 10mm x 40mm Hex Bolt, (1) 10mm Lock Washer and (1) 10mm Flat Washer through the top hole in the Bracket, the Spacer and into the Clip Nut, **(Figure 5)**. Leave hardware loose. Bolt the bottom of the Bracket to the pinch weld and Spacer with the included (2) 10mm x 40mm Hex Bolts, (2) 10mm Lock Washers, (4) 10mm Flat Washers and (2) 10mm Hex Nuts, **(Figure 5)**. **NOTE:** Insert Hex Bolts in from the outside, through the pinch weld and then the Bracket.
- Move to the last mounting location at the rear of the cab. Repeat **Steps 2 – 3** for Rear Mounting Bracket installation, **(Figures 6 & 7)**. **NOTE:** Each rear mounting location is made up of a rectangular hole with a round hole on each side and two holes through pinch weld, **(Figure 7)**.
- With assistance, carefully place the Sidebar into position and attach it to the Mounting Brackets using the included (2) 1/2" x 2" Hex Bolts, (2) 1/2" Lock Washers and (2) 1/2" Flat Washers, **(Figures 5 & 8)**.
- Level and align the Sidebar with the side of the vehicle then tighten all hardware.

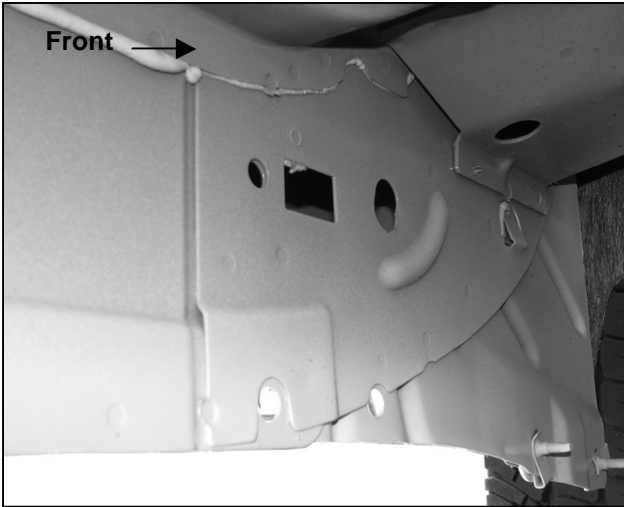
- 7. Repeat **Steps 2 – 6** for passenger side Mounting Bracket and Sidebar installation.
- 8. Periodically check and retighten the hardware as necessary.

To protect your investment, wax this product after installing. Regular waxing is recommended to add a protective layer over the finish. Do not use any type of polish or wax that may contain abrasives that could damage the finish.

For stainless steel: Aluminum polish may be used to polish small scratches and scuffs on the finish. Mild soap may be used also to clean the Sidebar.

For gloss black finishes: Mild soap may be used to clean the Sidebar.

Driver Side Installation Pictured



(Fig 1) Driver side front mounting location

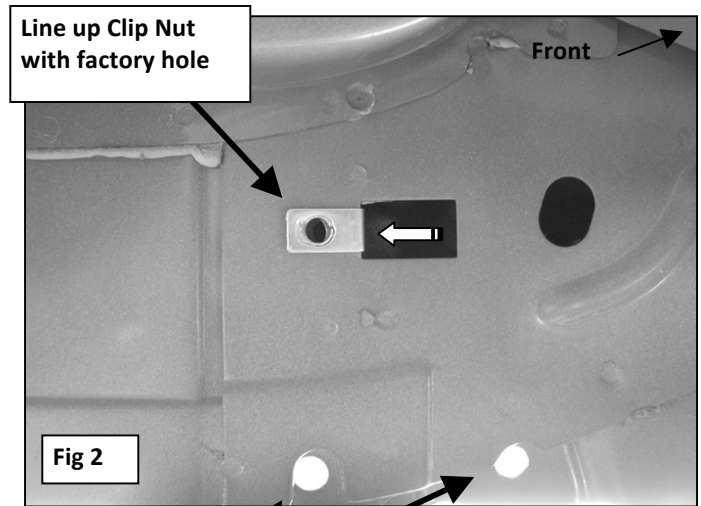
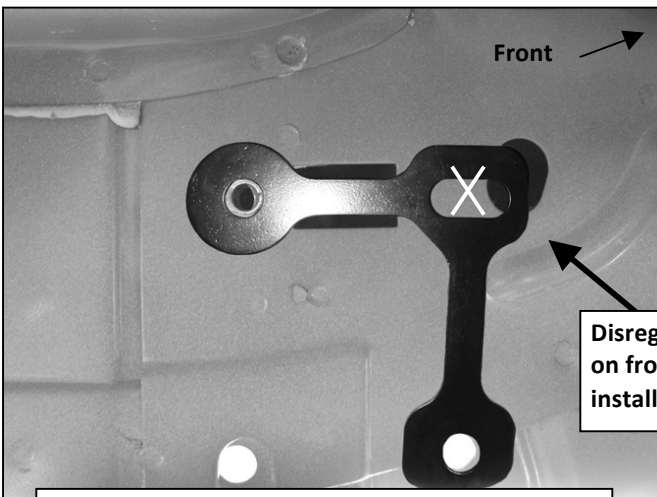


Fig 2

Back of pinch weld



(Fig 3) Front Bracket Spacer on driver side

Disregard extra slot on front bracket installation

Spacer installs between the body panel and front Bracket only

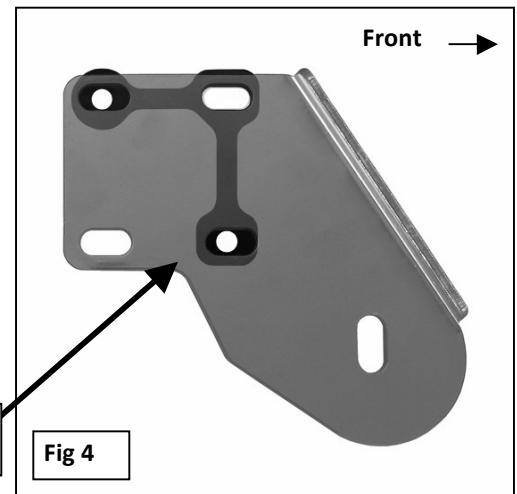


Fig 4

Driver Side Installation Pictured

- 10mm Clip Nut
- 10mm x 40mm Hex Bolt
- 10mm Lock Washer
- 10mm Flat Washer

Disregard extra slot on front bracket installation

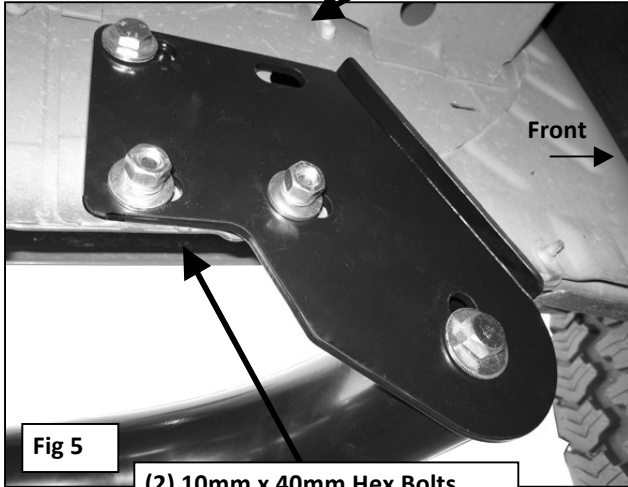
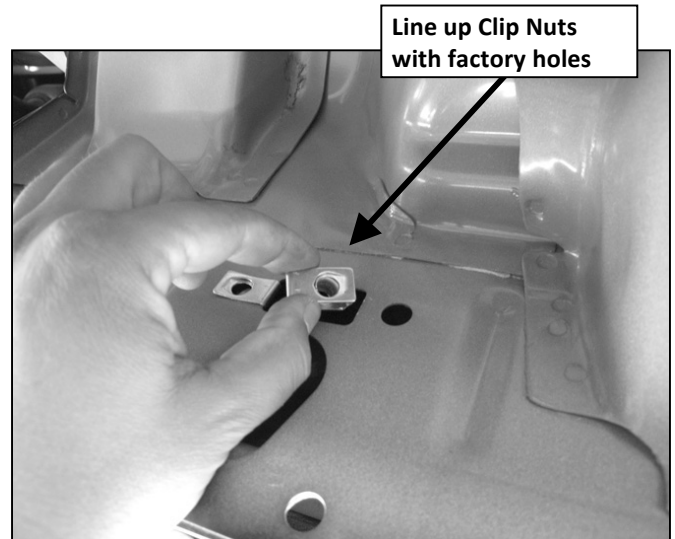


Fig 5

- (2) 10mm x 40mm Hex Bolts
- (2) 10mm Lock Washers
- (4) 10mm Flat Washers
- (2) 10mm Nuts



(Fig 6) Example of typical rear mounting location

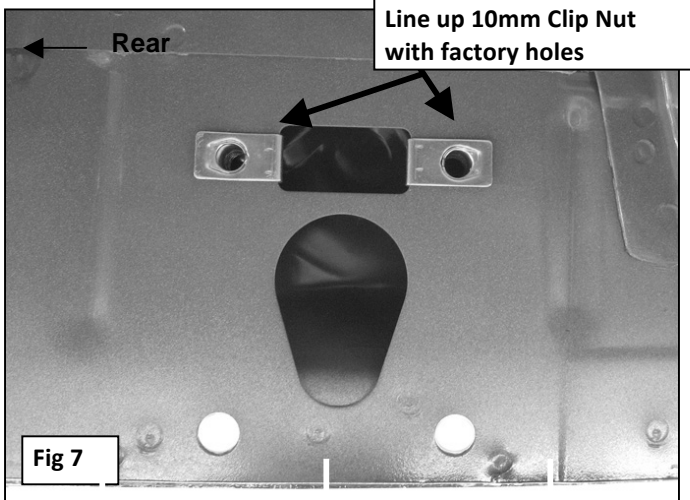


Fig 7

- (2) Clip Nuts
- (2) 10mm x 40mm Hex Bolts
- (2) 10mm Lock Washers
- (2) 10mm Flat Washers

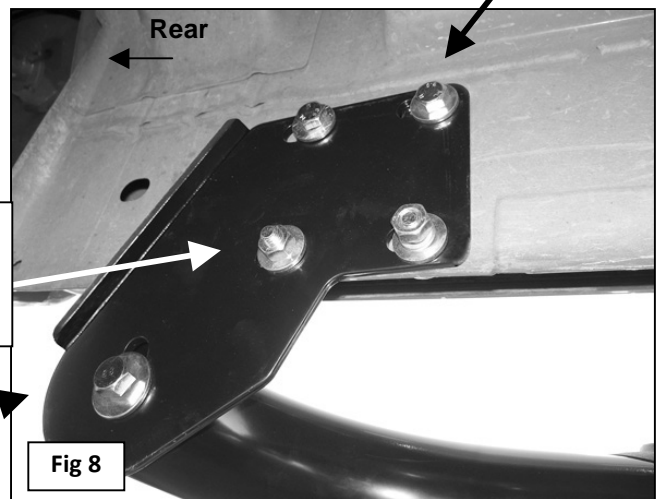


Fig 8

- (2) 10mm x 40mm Hex Bolts
- (2) 10mm Lock Washers
- (4) 10mm Flat Washers
- (2) 10mm Nuts

- 1/2" x 2" Hex Bolts
- 1/2" Lock Washer
- 1/2" Flat Washer