

Installation Instructions

I - Sheet Number LUNDRB06 Rev.C

LUND®

Running Boards

For proper installation and best possible fit, please read all instructions BEFORE you begin.

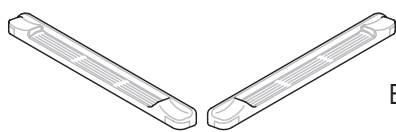
Important Safety Information



- CAUTION - Before driving, ensure that the Running Boards are properly anchored to vehicle.
- Do not use automatic "brush-style" car washes.
- Do not use cleaning solvents of any kind.
- Periodically check all components for tightness.

Contents

NOTE: Actual product may vary from illustration.



Running Boards
(if applicable)



Brackets (4)
2059-11



Brackets (1)
3004-CL



Brackets (1)
3004-CR



U-Nuts (24)
BC2059-1



5/16" Flanged Nuts
(24)



8x25mm Bolts
(24)



5/16"x3/4" Square bolts (24)

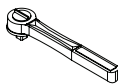


Washers(24)

Tools Required



Safety Glasses



Ratchet



Socket Set

Preparation Before Painting / Installation

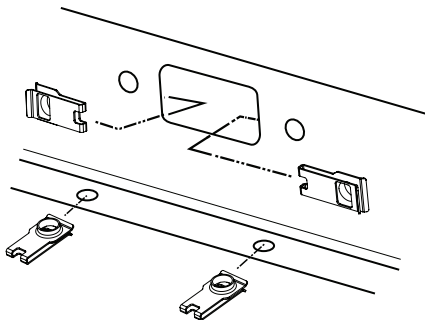
- A trial fit is recommended to ensure proper positioning and fit.
- Check fit of parts before painting as we will not accept the return of modified or painted parts.

Installation Steps

NOTE: Actual application may vary slightly from illustrations.



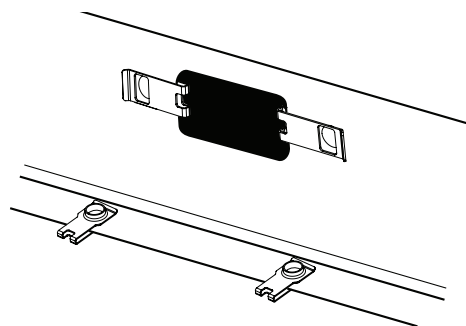
Insert U-Clips into shown locations for front and rear bracket installation.



1

(2) Brackets per side

Repeat in two locations at Driver side and Passenger side.



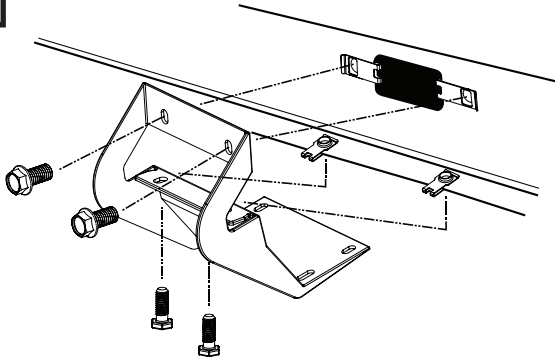
2

Installation Steps

NOTE: Actual application may vary slightly from drawings.

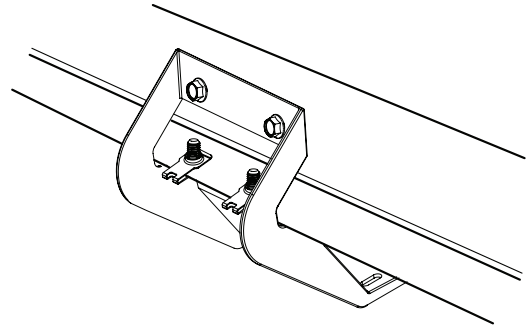


Insert Bolts through bracket and thread into U-Clips.



3

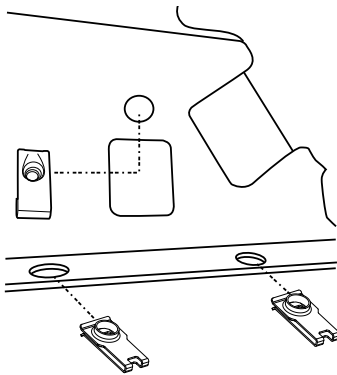
Tighten all bolts.



4

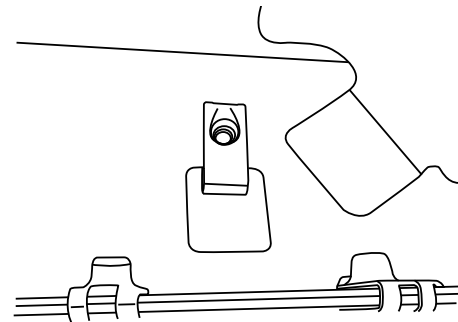


Insert U-Clips into shown locations for center bracket installation.



5

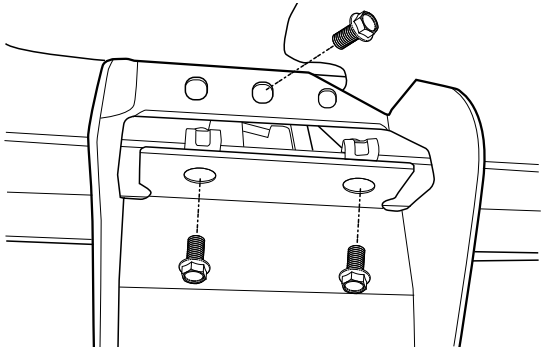
Repeat in two locations at Driver side and Passenger side.



6

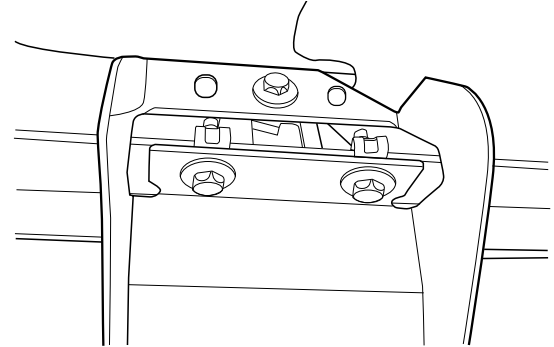


Insert Bolts through bracket and thread into U-Clips.



7

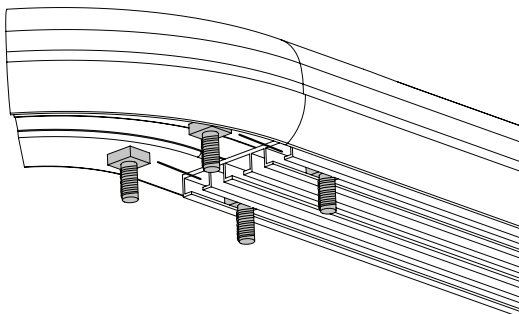
Tighten all bolts.



8



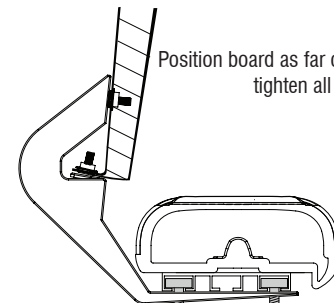
Insert four (4) Square head bolts into the track. Two (2) in each outside channel. Repeat for all brackets.



9



Line up square head bolts through bracket holes. Install washers and nuts on each bolt.



Position board as far out on the bracket and tighten all fasteners.

10

Washer

Flanged Nut