

Installation Instructions

I - Sheet Number LUNDRB10 Rev.A

LUND®

Running Boards

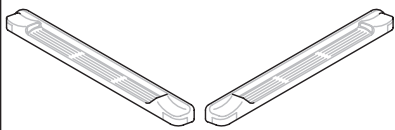
For proper installation and best possible fit, please read all instructions BEFORE you begin.
F

Important Safety Information



- CAUTION - Before driving, ensure that the Running Boards are properly anchored to vehicle.
- Do not use automatic "brush-style" car washes.
- Do not use cleaning solvents of any kind.
- Periodically check all components for tightness.

Contents **NOTE:** Actual product may vary from illustration.



Running Boards (2)



Brackets
2071-11 (8)



Bracket
3002-1(2)



Bracket
3002-A(1)



Bracket
3002-B(1)



M8x30mm
(1-1/5") Bolts
(16)



5/16"x3/4"
Square Bolts
(16)



8.5x18x2 (5/16")
Washers (16)



5/16" Flanged Nuts
(16)



M8 U-Nuts
(16)



3/8" x 1"
Bolts(2)



3/8" Flat
Washer (2)

Tools Required



Socket Set

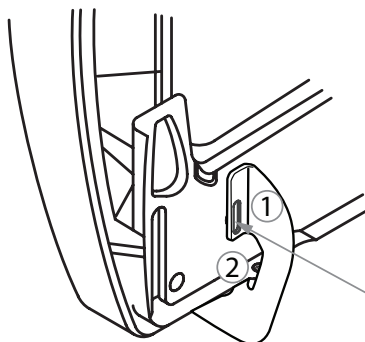


Ratchet

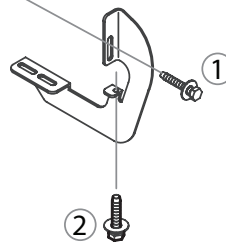
Preparation Before Painting / Installation

- A trial fit is recommended to ensure proper positioning and fit.
- Check fit of parts before painting as we will not accept the return of modified or painted parts.

Installation Steps **NOTE:** Actual application may vary slightly from illustrations.



Starting at the driver side front, find threaded hole in rocker panel and pinch weld. Attach bracket with bolts. Repeat for second bracket.



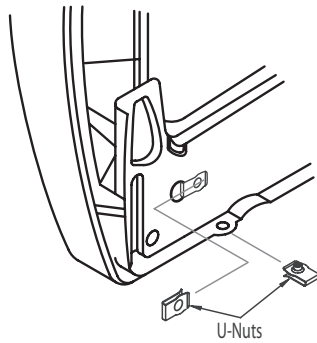
1

Installation Steps

NOTE: Actual application may vary slightly from drawings.



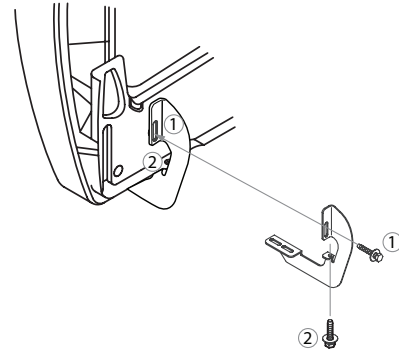
Remove black rubber grommet from third hole in rocker panel and slide U-nut as pictured. Attach U-nut in pinch weld as pictured.



2



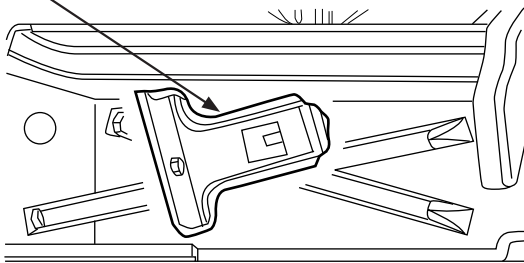
Attach bracket with bolts. Repeat **Steps 2 and 3** for fourth bracket.



3

Starting with the passenger side second mounting location slide 3002-A up behind the urea tank and hook the tab into the bolt hole. Pull down and align with pinch weld.

3002-A



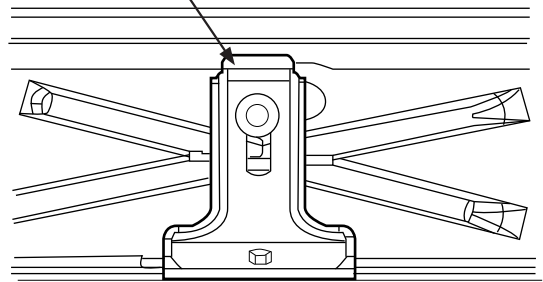
4



Moving to the passenger side third mounting location place a u-nut into the hole and secure 3002-B using a M8 bolt.



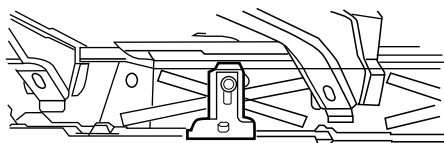
3002-B



5



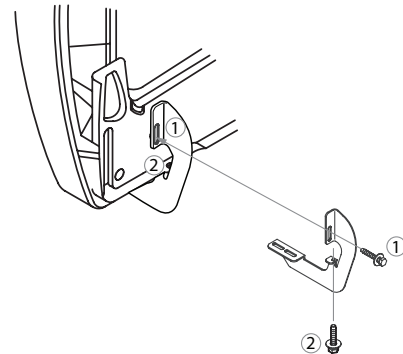
Select a 3002-1 and a 3/8" bolt and washer, secure to 3002-A through the mounting hole in the pinch weld. Repeat for 3002-B.



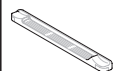
3002-1

6

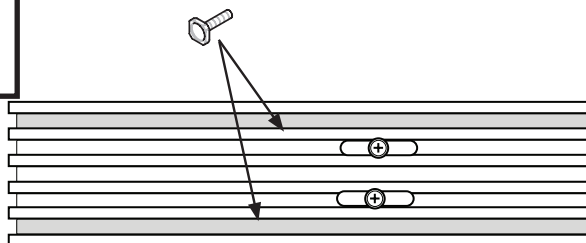
Repeat **Steps 1-4** for passenger side first and fourth bracket fitment.



7



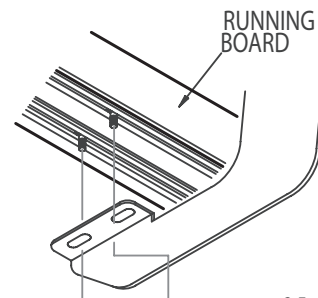
Install square bolts into the shaded outer channels. Four (4) per channel to attach boards to brackets.



8



Attach boards to brackets.



8.5x18x2 Washer
5/16" Flanged Nut

9