

# Installation Instructions

## **LUND**<sup>®</sup> Running Boards

For proper installation and best possible fit, please read all instructions BEFORE you begin.

### Important Safety Information



- CAUTION - Before driving, ensure that the Running Boards are properly anchored to vehicle.
- Do not use automatic "brush-style" car washes.
- Do not use cleaning solvents of any kind.
- Periodically check all components for tightness.

### Preparation Before Painting / Installation

- A trial fit is recommended to ensure proper positioning and fit.
- Check fit of parts before painting as we will not accept the return of modified or painted parts.

### Care and Cleaning

- Wash only with mild soap & dry with a clean cloth.

### Congratulations!

You have purchased one of the many quality Lund branded products offered by Lund International, Inc. We take the utmost pride in our products and want you to enjoy years of satisfaction from your investment. We have made every effort to ensure that your product is top quality in terms of fit, durability, finish and ease of installation.

# **LUND**<sup>®</sup>



# Installation Steps

**NOTE:** Actual application may vary slightly from drawings.

BRACKET	CROSSROADS	5" OVAL	6" OVAL	APPLICATION	MODEL
318077	229080	227587	222687	GMC SIERRA / SILVERADO CREW CAB DIESEL	99-06
	229087	228587	223687	GMC SIERRA / SILVERADO CREW CAB DIESEL	99-06

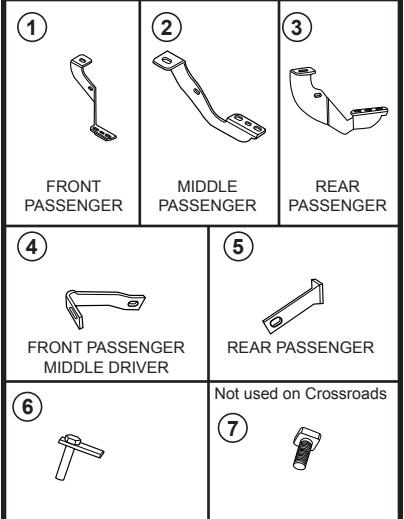
**PARTS LIST:**

ITEM	QTY.	CODE	DESCRIPTION	TORQUE
1	1	391014AA	Front mounting bracket set	-
2	1	391014DA	Middle mounting bracket set	-
3	1	391014BA	Rear mounting bracket set	-
4	2	391014FA	Front and middle auxiliary bracket set	-
5	1	391014DA	Rear auxiliary bracket set	-
6	6	3713312	5/16" bolt plate	11 Lb-Ft
<b>1 KTE-391015 Hardware kit including:</b>				
7	12	-	5/16" Square head bolt *Not used on Crossroads boards	11 Lb-Ft
8	18	-	5/16" Flat washer	-
9	18	-	5/16" Lock washer	-
10	18	-	5/16" Hex nut	11 Lb-Ft
11	6	-	M12 x 120mm Hex head bolt	52 Lb-Ft
12	6	-	1/2" Lock Washer	-
13	6	-	1/2" Flat Washer	-
14	6	-	3/8" x 1" Carriage head bolt	30 Lb-Ft
15	6	-	3/8" Flat Washer	-
16	6	-	3/8" Lock Washer	-
17	6	-	3/8" Hex nut	30 Lb-Ft

**Tools required not including:**

DESCRIPTION	QTY.
Socket/Wrench 15 - 18mm	1
Socket/Wrench 1/2" - 9/16"	1
Wrench 17mm	1
Ratchet	1
Ratchet extension 6"	1

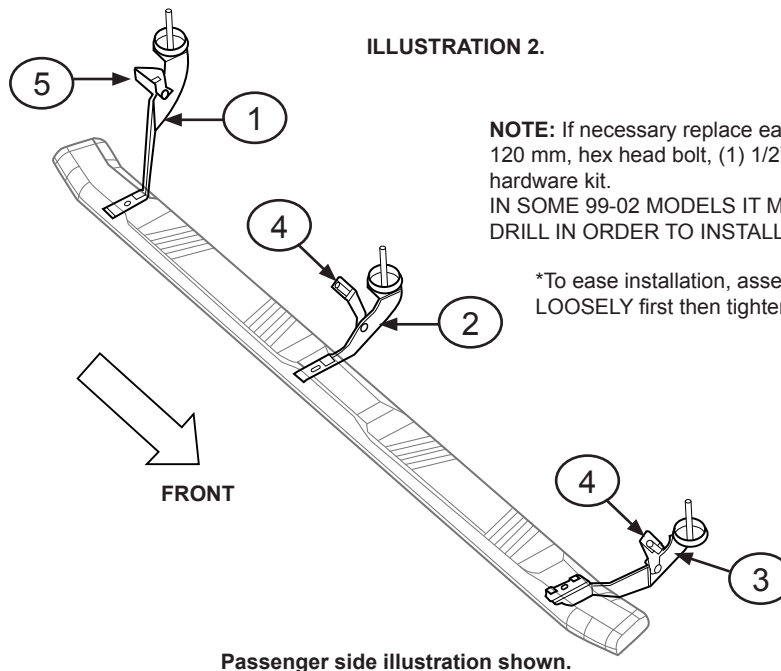
**ILLUSTRATION 1**



**Instructions:**

1. Before beginning the installation read all instructions thoroughly and verify that all hardware is accounted for. If there are any listed parts missing please notify your distributor immediately.

**Approximate installation time: 40 min.**



**ILLUSTRATION 2.**

**NOTE:** If necessary replace each body mount bolt with: (1) M12 x 120 mm, hex head bolt, (1) 1/2" flat and lock washers, including the hardware kit.  
IN SOME 99-02 MODELS IT MAY BE NECESSARY TO USE A DRILL IN ORDER TO INSTALL THE AUXILIARY BRACKET.

\*To ease installation, assemble brackets, braces, & boards LOOSELY first then tighten AFTER all fasteners are in place.

Passenger side illustration shown.

**Cleaning and care instructions:**

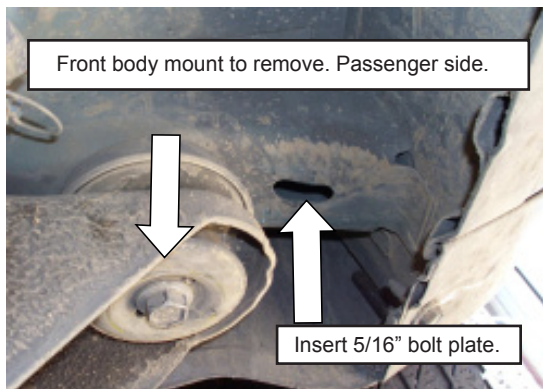
Protect the finish with a non-abrasive automotive wax, (e.g. Pure Carnauba) on a regular basis. The use of any soap, polish, or wax that contains an abrasive is detrimental to the finish, as the compounds scratch the finish and cause corrosion.

# Installation Steps

**NOTE:** Actual application may vary slightly from drawings.

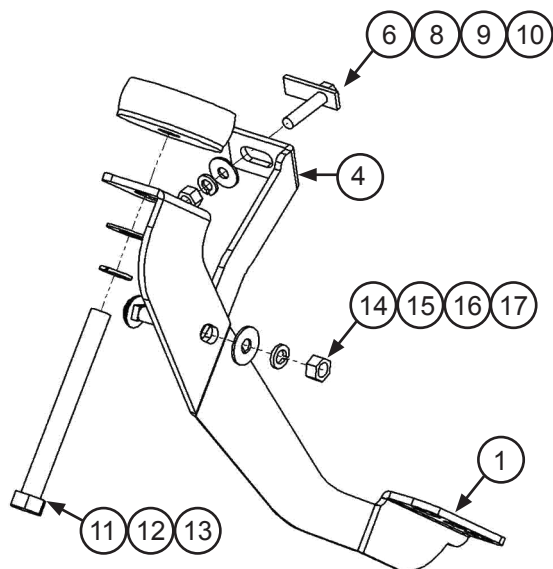
2. Locate and remove the front body mount bolt. See **Picture 1**.

**PICTURE 1.**



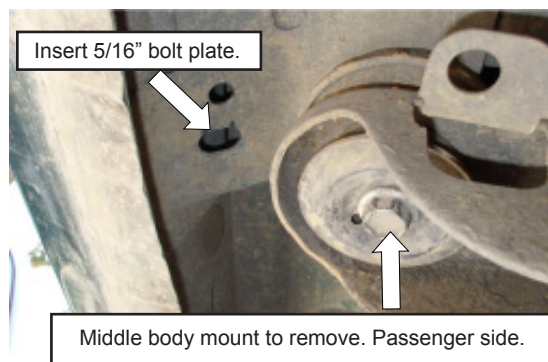
3. Install the front bracket and attach with previously removed bolts. Locate the hole that is in the rocker panel of the vehicle and insert 5/16" bolt plate. Mount the front auxiliary bracket and attach with: (1) 5/16" flat and lock washers, (1) 5/16" hex nut. In the other side of the bracket attach the front bracket: (1) 3/8 x 1" carriage head bolt, (1) 3/8" flat and lock washers, (1) 3/8" hex nut. See **Picture 1**, **Illustration 3**. Leave loose.

**ILLUSTRATION 3.**



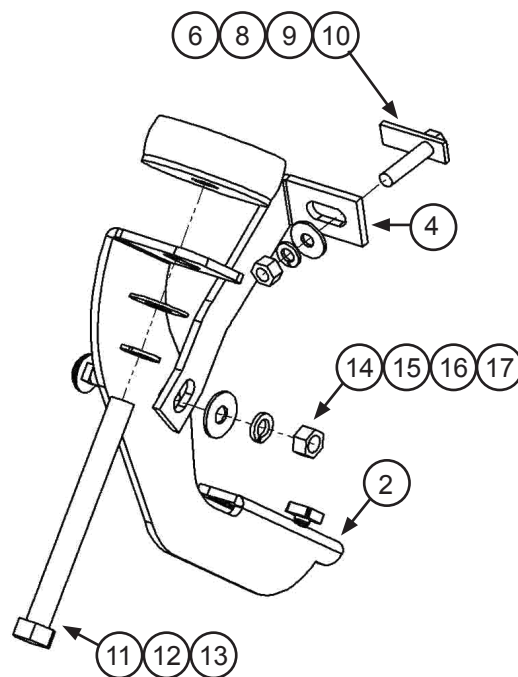
4. Locate and remove the middle body mount bolt. See **Picture 2**.

**PICTURE 2.**



5. Install the middle bracket and attach with bolts previously removed. Locate the hole that is in the rocker panel of the vehicle and insert 5/16" bolt plate. Mount the middle auxiliary bracket and attach with: (1) 5/16" flat and lock washers, (1) 5/16" hex nut. In the other side of the bracket attach with the middle bracket: (1) 3/8 x 1" carriage head bolt, (1) 3/8" flat and lock washers, (1) 3/8" hex nut. See **Picture 2**, **Illustration 4**. Leave loose.

**ILLUSTRATION 4.**



## Cleaning and care instructions:

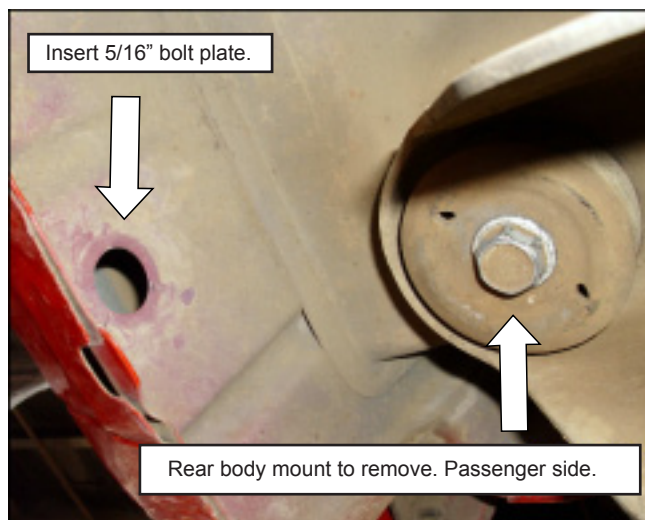
Protect the finish with a non-abrasive automotive wax, (e.g. Pure Carnauba) on a regular basis. The use of any soap, polish, or wax that contains an abrasive is detrimental to the finish, as the compounds scratch the finish and cause corrosion.

## Installation Steps

**NOTE:** Actual application may vary slightly from drawings.

6. Locate and remove the rear body mount. See **Picture 3**.

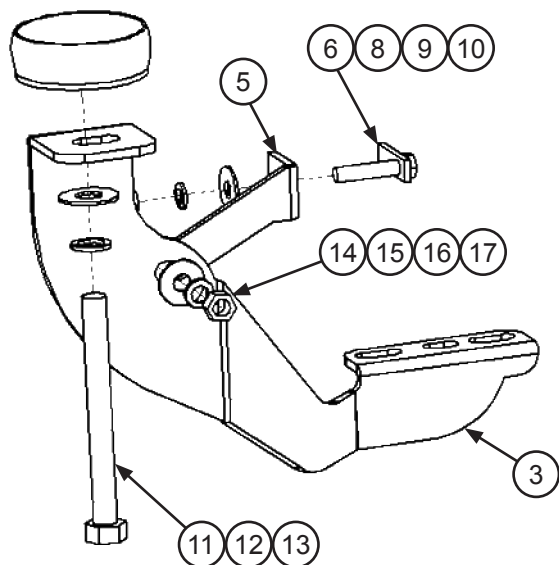
**PICTURE 3.**



7. Install the middle bracket and attach with previously removed bolts. Locate to the rubber plug that is in the rocker panel of the vehicle, remove and insert 5/16" bolt plate.

Mount the rear auxiliary bracket and attach with: (1) 5/16" flat and lock washers, (1) 5/16" hex nut. In the other side of the bracket attach with the rear bracket: (1) 3/8 x 1" carriage head bolt, (1) 3/8" flat and lock washers, (1) 3/8" hex nut. See **Picture 3**, **Illustration 5**. Leave loose.

**ILLUSTRATION 5.**



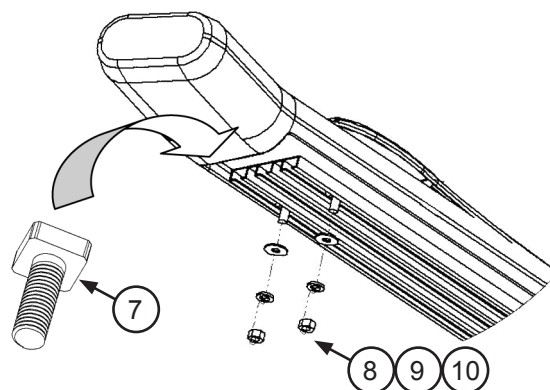
### Cleaning and care instructions:

Protect the finish with a non-abrasive automotive wax, (e.g. Pure Carnauba) on a regular basis. The use of any soap, polish, or wax that contains an abrasive is detrimental to the finish, as the compounds scratch the finish and cause corrosion.

8. For Installation of 5" & 6" Running Board, insert (3) square head bolt within each lateral rail of the side bar. See **Illustration 6**. Mount the side bar on brackets, align and attach with: (2) 5/16" flat and lock washers, (2) 5/16" hex nut. Repeat for each bracket. Leave loose.

**NOTE:** Item #7 not used for Crossroads Running Boards

**ILLUSTRATION 6.**



9. Align bar to side of vehicle and tighten all mounting bolts. Repeat these steps to install driver side.

10. Do not use abrasive substances to clean your product.

11. Periodically check your product because it may need a re-tighten of bolts.

12. Fill the warranty card and place it inside your vehicle's glove box.