

# Installation Instructions

I - Sheet Number LUNDRB07 Rev.B

# LUND®

## Running Boards

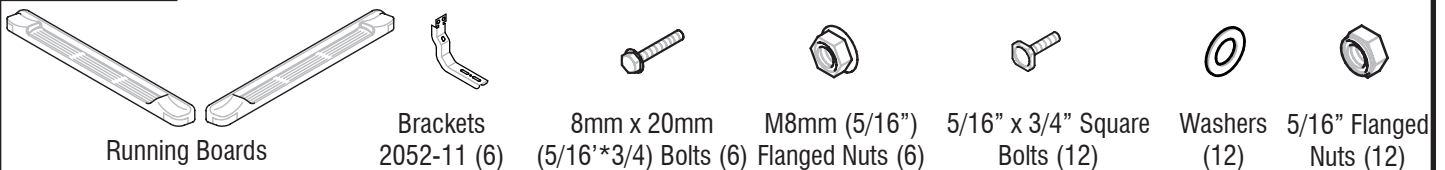
For proper installation and best possible fit, please read all instructions BEFORE you begin.

### Important Safety Information

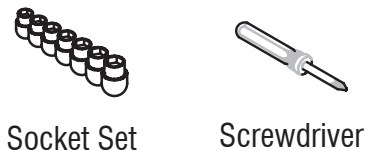


- CAUTION - Before driving, ensure that the Running Boards are properly anchored to vehicle.
- Do not use automatic "brush-style" car washes.
- Do not use cleaning solvents of any kind.
- Periodically check all components for tightness.

### Contents **NOTE:** Actual product may vary from illustration.






### Tools Required



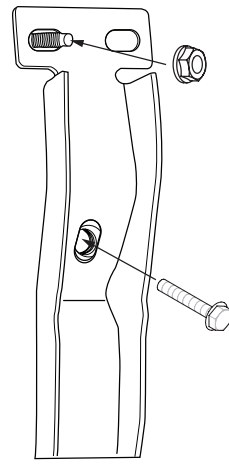
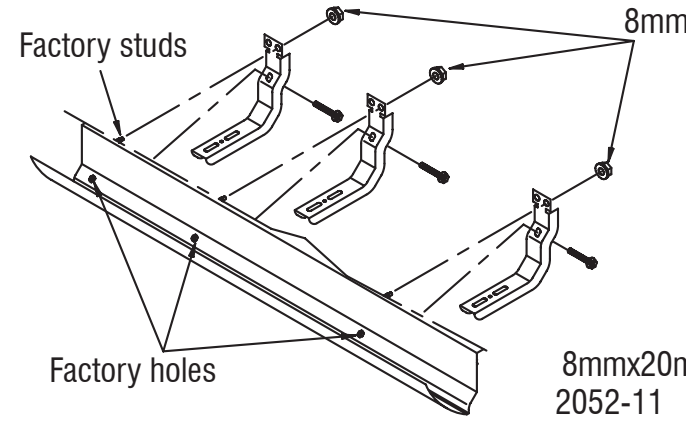
### Preparation Before Painting/Installation

- A trial fit is recommended to ensure proper positioning and fit.
- Check fit of parts before painting as we will not accept the return of modified or painted parts.

### Installation Steps **NOTE:** Actual application may vary slightly from illustrations.

Attach brackets to rocker panel.

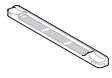


8mmx20mm  
2052-11

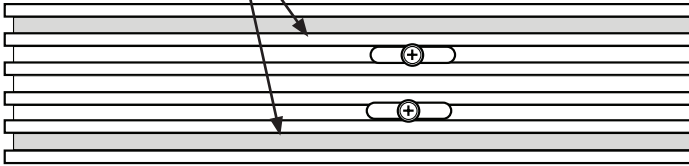
**1**

## Installation Steps

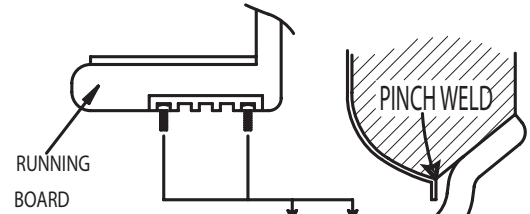
**NOTE:** Actual application may vary slightly from drawings.



Install square bolts into the shaded outer channels. Three (3) per channel to attach boards to brackets.



Attach boards to brackets.



5/16"x18 Washer

5/16"x18 Flanged Nut

2

3

## Care and Cleaning

- Wash only with mild soap & dry with a clean cloth.

## Congratulations!

You have purchased one of the many quality Lund<sup>®</sup> branded products offered by Lund International, Inc. We take the utmost pride in our products and want you to enjoy years of satisfaction from your investment. We have made every effort to ensure that your product is top quality in terms of fit, durability, finish and ease of installation.

# LUND<sup>®</sup>

