

# Installation Instructions

I - Sheet Number I-B096301A1 Rev.A

# **LUND**<sup>®</sup>

Premium Style. Lasting Performance.

For proper installation and best possible fit, please read all instructions BEFORE you begin.

## **Care and Cleaning**

- Wash only with mild soap & dry with a clean cloth.
  
- Every 3 months or 5000 miles check the cover tension and all components for tightness

## **Congratulations!**

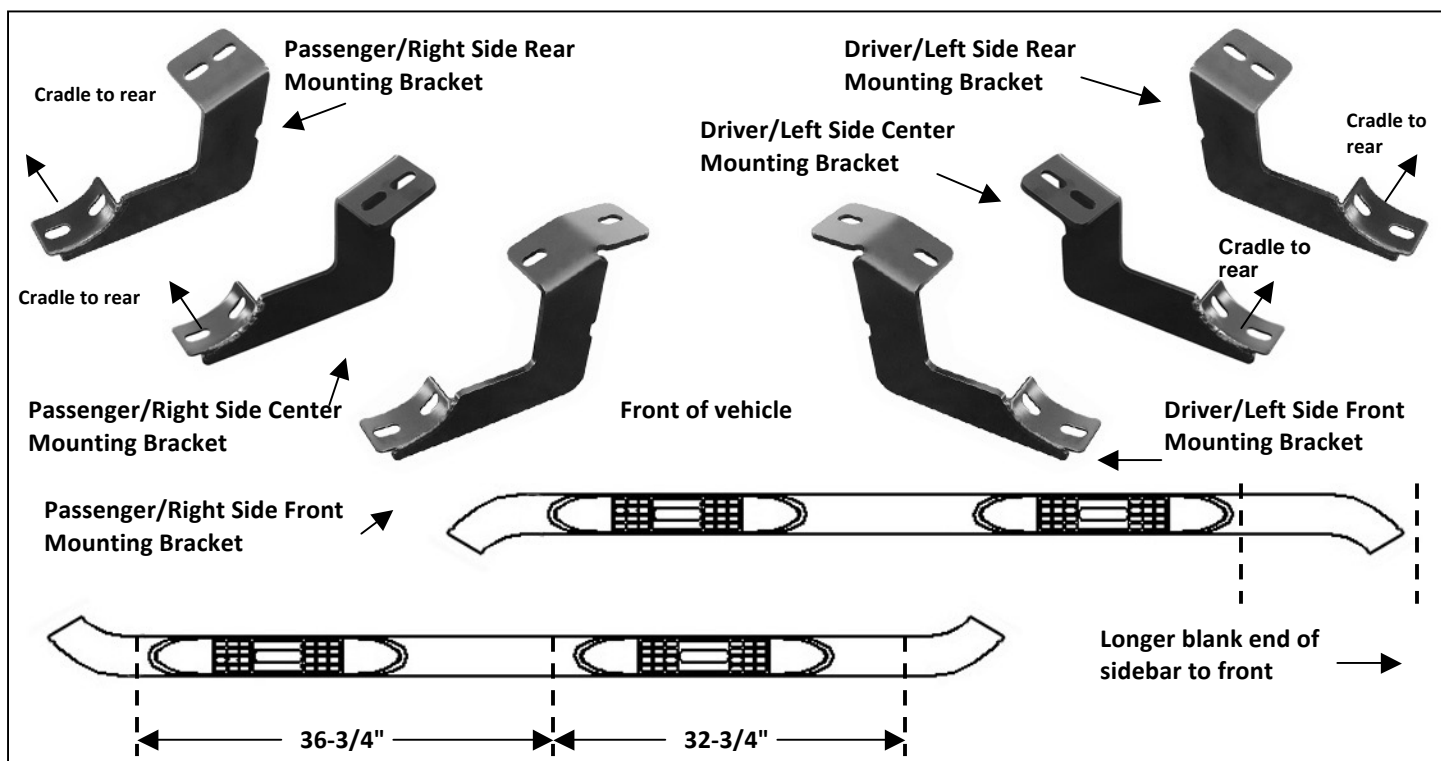
You have purchased one of the many quality Lund<sup>®</sup> branded products offered by Lund International, Inc. We take the utmost pride in our products and want you to enjoy years of satisfaction from your investment. We have made every effort to ensure that your product is top quality in terms of fit, durability, finish and ease of installation.

# INSTALLATION INSTRUCTIONS

PART# 22685963/ 23085963

## PARTS LIST:

1	Driver Sidebar	1	Driver/Left Rear Mounting Bracket
1	Passenger Sidebar	1	Passenger/Right Rear Mounting Bracket
1	Driver/Left Front Mounting Bracket	24	8-1.25mm x 30mm Hex Bolts
1	Passenger/Right Front Mounting Bracket	24	8mm Lock Washers
1	Driver/Left Middle Mounting Bracket	24	8mm ID x 24mm OD x 2mm Flat Washers
1	Passenger/Right Middle Mounting Bracket		



Dashed line represents approximate location of threaded inserts in bottom of Sidebar for proper tube identification

## PROCEDURE:

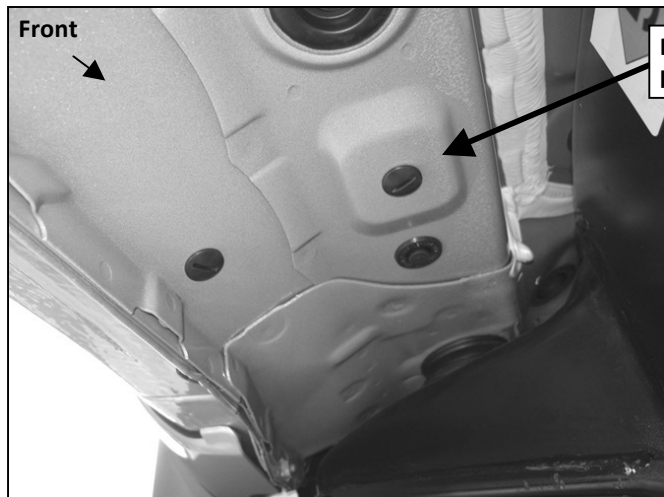
1. REMOVE CONTENTS FROM BOX. VERIFY ALL PARTS ARE PRESENT. READ INSTRUCTIONS CAREFULLY. USE ILLUSTRATION TO PROPERLY IDENTIFY BRACKETS AND SIDEBARS.
2. Starting on the driver side front of the vehicle, use a flat screw driver to remove the plastic plugs covering the threaded holes in the body panel, (Figure 1). Select the driver side front Mounting Bracket and bolt it to the vehicle using the included (2) 8mm Hex Bolts, (2) 8mm Lock Washers and (2) 8mm Flat Washers, (Figure 2). Do not tighten hardware at this time.
3. Repeat Step 2 for center and rear Mounting Bracket installation, (Figures 3 & 4).
4. **IMPORTANT:** Use the illustration on this page to identify the sidebars before continuing with the installation. Verify that the Brackets are in the correct locations as illustrated above. Carefully place the driver Sidebar onto the Brackets. Align the inserts in the bottom of the Sidebar with the slots on the Mounting Brackets. Attach the Sidebar to the Mounting Brackets with the included (6) 8mm Hex Bolts, (6) 8mm Lock Washers and (6) 8mm Flat Washers, (Figure 4). Do not tighten hardware at this time.
5. Level and adjust the Sidebar properly and tighten all hardware.
6. Repeat Steps 2 - 5 for passenger Sidebar installation.
7. Do periodic inspections to the installation to make sure that all hardware is secure and tight.

To protect your investment, wax this product after installing. Regular waxing is recommended to add a protective layer over the finish. Do not use any type of polish or wax that may contain abrasives that could damage the finish.

**For stainless steel:** Aluminum polish may be used to polish small scratches and scuffs on the finish. Mild soap may be used also to clean the Sidebar.

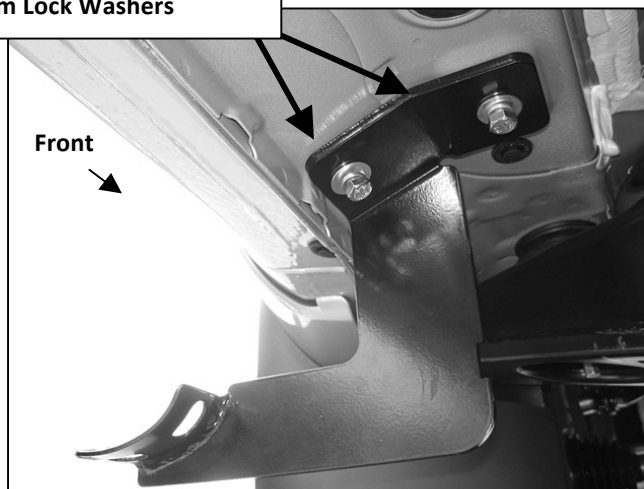
**For gloss black finishes:** Mild soap may be used to clean the Sidebar.

### Driver Side Installation Pictured

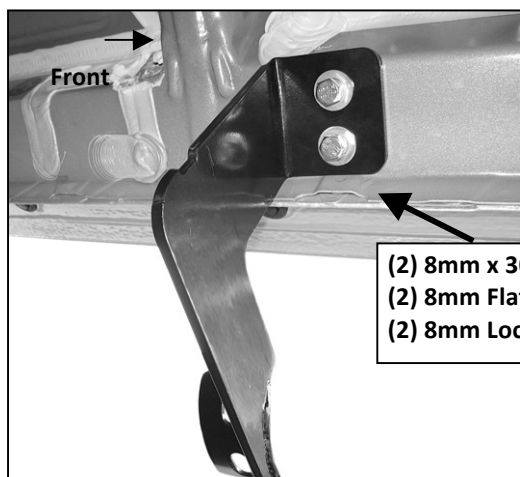


Remove plastic plugs or factory hex bolts (if equipped)

(2) 8mm x 30mm Hex Bolts  
(2) 8mm Flat Washers  
(2) 8mm Lock Washers



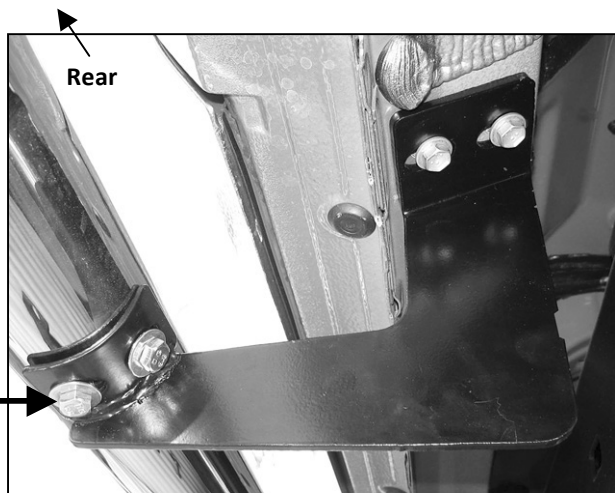
(Fig 2) Driver side front mounting location pictured



(2) 8mm x 30mm Hex Bolts  
(2) 8mm Flat Washers  
(2) 8mm Lock Washers

(Fig 3) Driver side center mounting location pictured

(2) 8mm x 30mm Hex Bolts  
(2) 8mm Flat Washers  
(2) 8mm Lock Washers



(Fig 4) Driver side rear mounting location pictured



Complete Installation