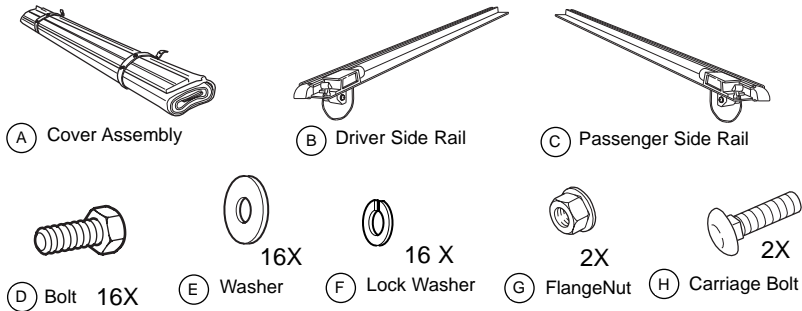


Installation Instructions

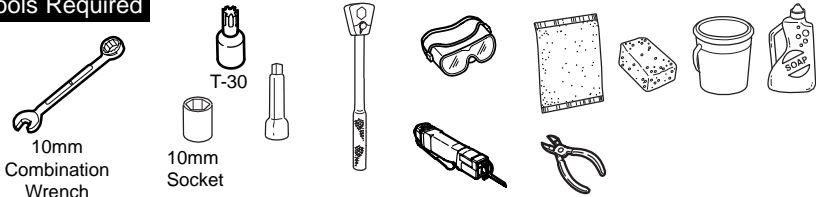


Tundra Roll Up Tonneau Cover

Contents



Tools Required



Important

⚠ WARNING/CAUTION/NOTE

Please read this manual and follow its instructions carefully. To emphasize special information, the symbol ⚠ and the words **WARNING**, **CAUTION** and **NOTE** have special meanings. These special meanings apply except when laws or regulations require that the signal words be used with a different meaning.

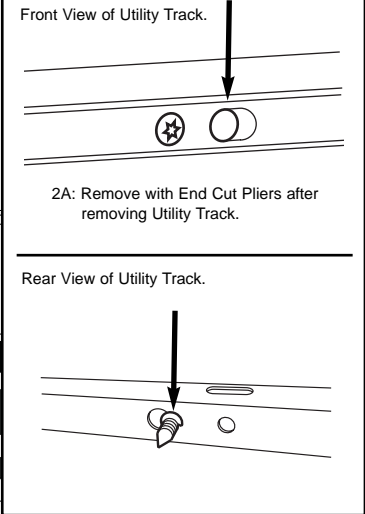
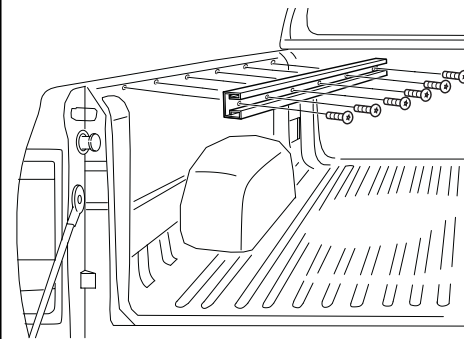
Preparation Before Installation

- Wash the upper rail surfaces of the truck bed.
- Be sure to completely dry the upper surfaces of your truck bed before installing your rails.

Installation Steps

Vehicles Equipped with Utility Tracks

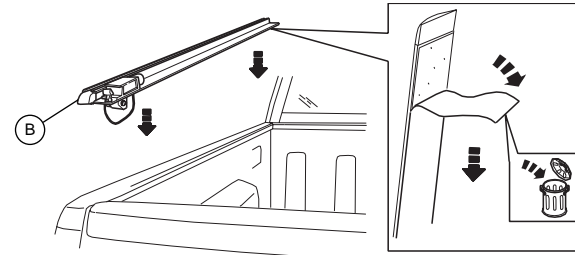
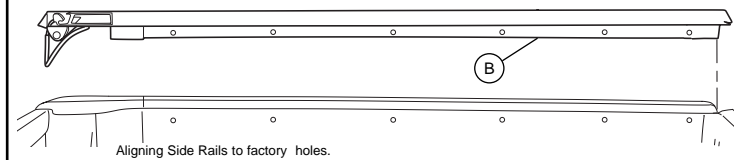
Note: If Vehicle Is not Equipped with utility tracks proceed to step 4 .



1

1A: Remove Utility Track on both sides of truck bed. Save bolts for re-installation.

Vehicles Equipped with Utility Tracks

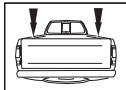


2

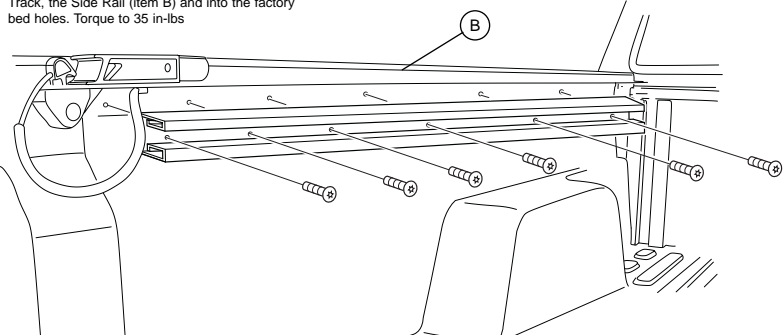
Remove the white backing from the foam on the front and side rails. It will be necessary to release the buckles on the front rail to do this but do not unroll the cover. Re-fasten the buckles once the foam backing is removed. With the tailgate closed, lay the ends of the driver side rail on the truck bed bulkhead and tailgate. The latches are positioned toward the rear and the foamed side of the rail faces the inner side wall of the truck bed.

Installation Steps

Vehicles Equipped with Utility Tracks



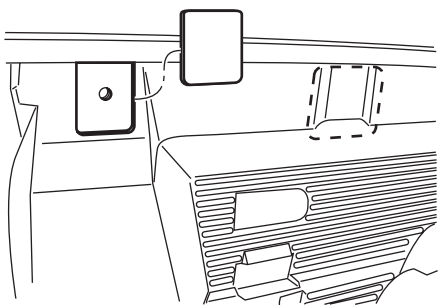
Re-Install factory fasteners through the Utility Track, the Side Rail (item B) and into the factory bed holes. Torque to 35 in-lbs



3

Vehicles Not Equipped with Utility Tracks

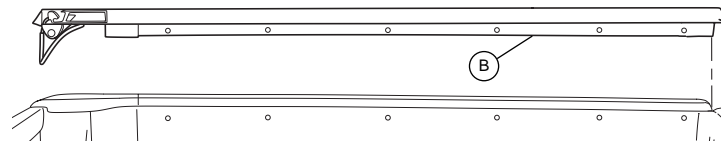
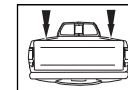
Note: For Vehicles Equipped with Bedliners, Remove and mark outer edge of raised areas. Cut outer edge of raised area to access factory bed holes. Re-install bedliner after cutting marked areas on both sides.



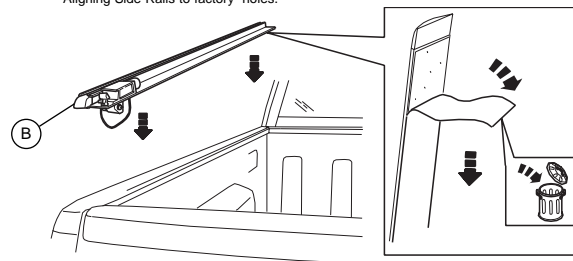
4

Installation Steps

Vehicles Not Equipped with Utility Tracks



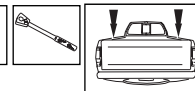
Aligning Side Rails to factory holes.



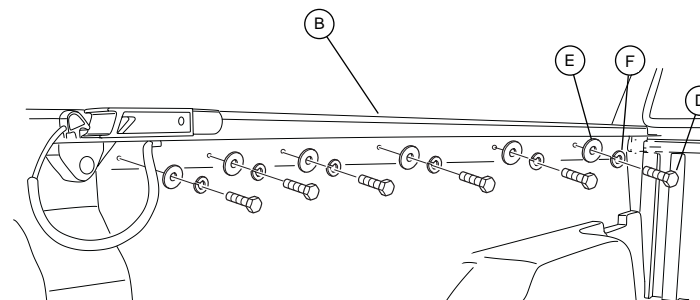
Remove the white backing from the foam on the front and side rails. It will be necessary to release the buckles on the front rail to do this but do not unroll the cover. Re-fasten the buckles once the foam backing is removed. With the tailgate closed, lay the ends of the driver side rail on the truck bed bulkhead and tailgate. The latches are positioned toward the rear and the foamed side of the rail faces the inner side wall of the truck bed.

5

Vehicles Not Equipped with Utility Tracks

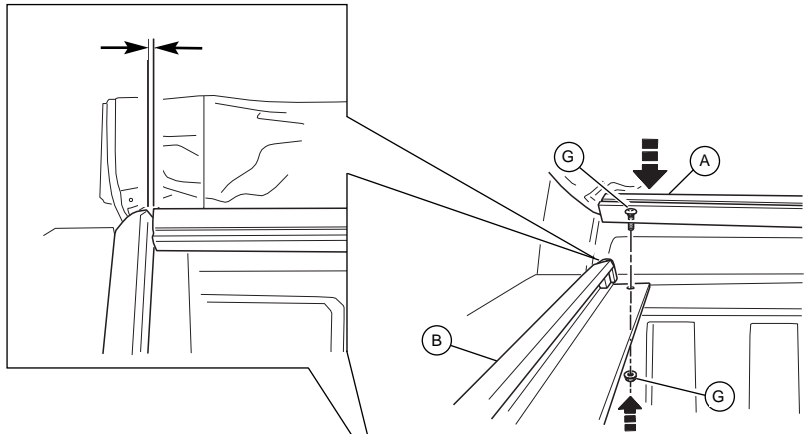
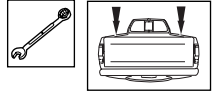


Align side rails to threaded bosses in truck bed. Install fasteners (items D, E & F) through the Side Rail (item B) and into the factory bed holes. Torque to 35 in-lbs.

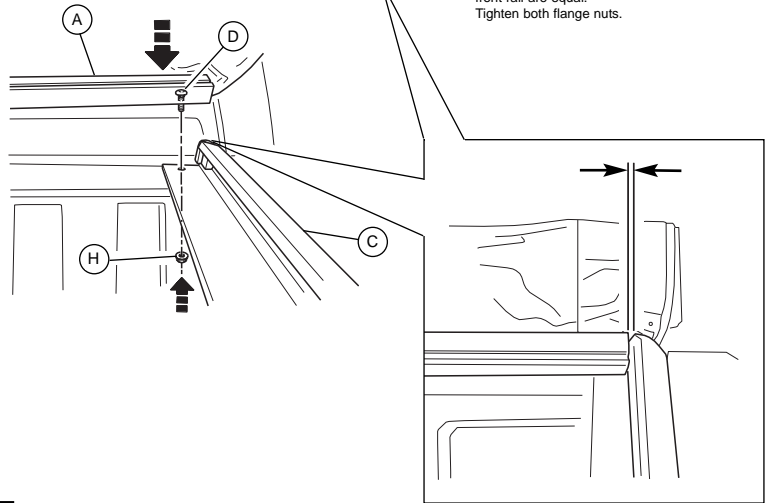


6

Installation Steps

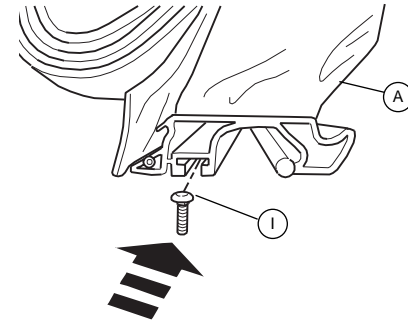


Loosely install the flange nuts as shown.
Position the front rail so the gaps at each end of the front rail are equal.
Tighten both flange nuts.



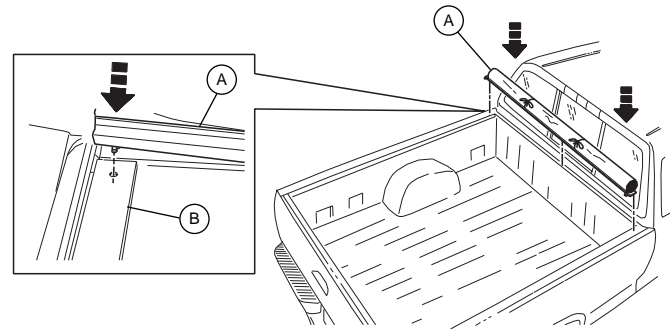
7

Installation Steps



Slide one carriage bolt (item I) approx 1/2" into the t-slot at each end of the front rail as shown.

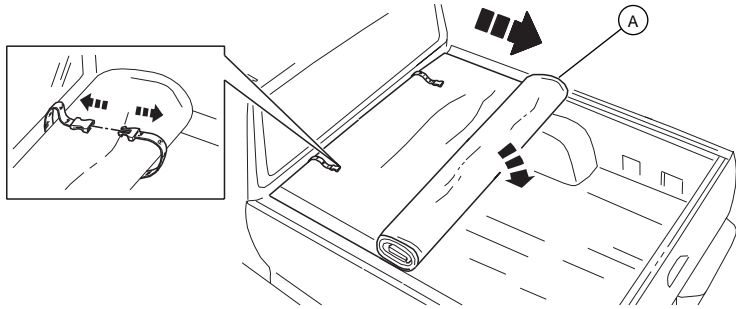
8



Set the cover assembly in place as shown.

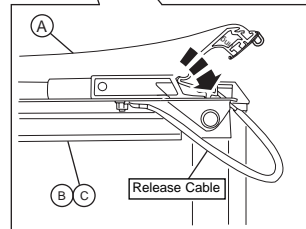
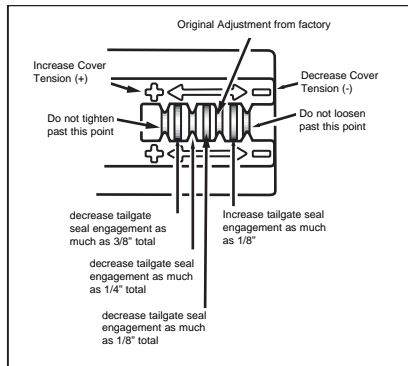
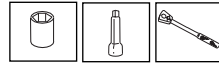
9

Installation Steps

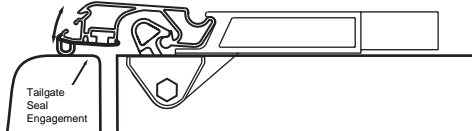


Release the buckles and unroll the cover.

10



Adjusting tension increases or decreases the tailgate seal engagement. Proper tensioning shown above



Engage rear rail to latch assembly and rotate down as shown.

If the cover is too tight, loosen the adjusting bolts evenly on both sides towards the -

If the cover is too loose, tighten the adjusting bolts evenly on both sides towards the +

Note: Proper cover tension is achieved when the rear rail requires moderate pressure to fully latch.

To access the truck bed, pull both release cables and roll cover forward. Fasten buckle straps to stow cover.

11

Inspection After Installation

1. After installation is complete, confirm proper operation.

Care and Cleaning

1. Wash only with mild soap & dry with a clean cloth.
2. Avoid the use of automatic "brush - style" car washes.
3. Do not use cleaning solvents of any kind.
4. Periodically check the cover tension and all components for tightness. Refer to step 9 for cover tension adjustment.
- ⚠ 5. Do not use release cables as handles.
- ⚠ 6. Do not pull on release cables to enter truck bed.
- ⚠ 7. Do not use any part of this tonneau as a tie down.
- ⚠ 8. Do not drive with the cover un-secured.

Congratulations!

You have purchased one of the many quality products offered by Lund. We take the utmost pride in our products and want you to enjoy years of satisfaction from your investment. We have made every effort to ensure that your product is top quality in terms of fit, durability, finish and ease of installation.