

Installation Instructions

I-Sheet Number #10745 Rev.G



Premium Style. Lasting Performance.

Genesis® and Genesis Elite® Tri-Fold Tonneau Cover

Important Safety Information



• Serious personal injury and property damage can occur if vehicle is driven without both black buckles at the front of cover fastened.

• Prior to vehicle operation, clamps must be secured such that the clamp lips tightly grip the inner bedwall structure.

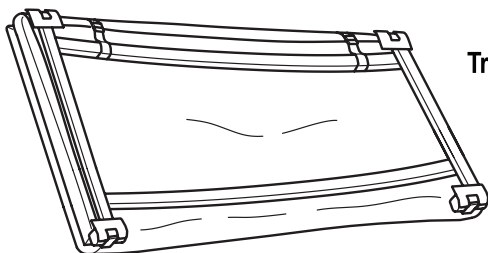
• Only release buckles when fully installing cover.

• After a setting period (1 week) it may be necessary to readjust the clamp load after foam isolators take a set to maintain the uniform gap between the Genesis® Tri-Fold Tonneau cover and bed rails.

• Check the bracket clamp loads every 3 months or 5,000 miles.

• Genesis® Tri-Fold Tonneau cover must be closed or secured with straps while the vehicle is in motion.

Contents NOTE: Actual product may vary from illustration.



Tri-Fold Cover Assembly



Foam Tape*

*Only provided with specific applications

Tools Required

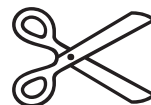


Car Wash Supplies



Clean Towel

Serviette propr



Scissors

Preparation Before Installation

• Wash the upper rail surfaces of the truck bed.

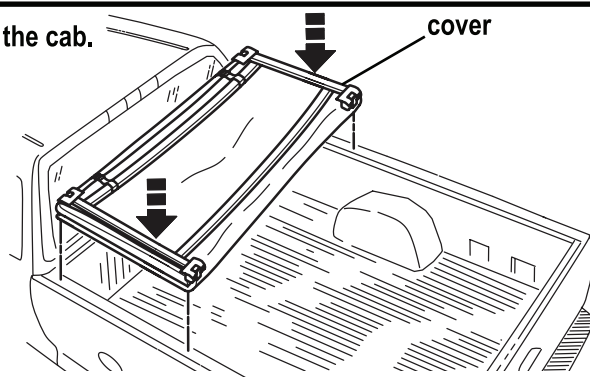
• Be sure to completely dry the upper surfaces of your truck bed before installing the tonneau cover.

Installation Steps

NOTE: Actual application may vary slightly from illustrations.



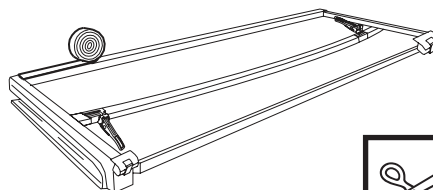
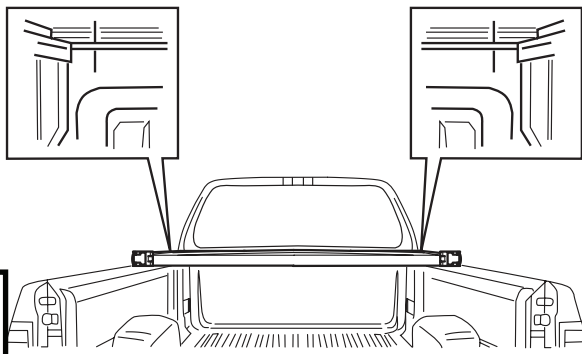
Place the cover assembly on the top of the truck bed next to the cab.



1

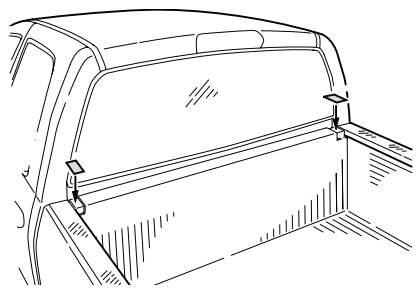
If a gap exists between the cover and the bulkhead of the truck proceed to step 3 and or 4. If not proceed to step 5.

Make sure there is no dust or debris on the front rail. Turn cover over, apply supplied foam tape to front rail of cover and trim to fit. Flip cover over and place on truck as show in step1, then proceed to step 5.

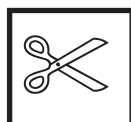


2

3

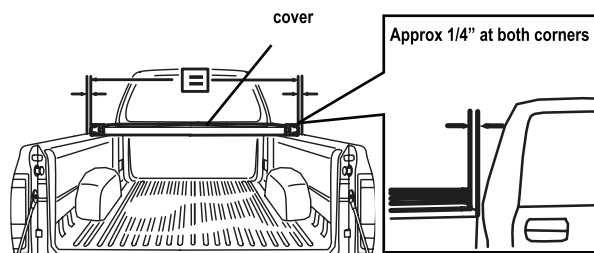


When applied to trucks with bed liner. Application will not work with bed liners that go over side rails of truck.



4

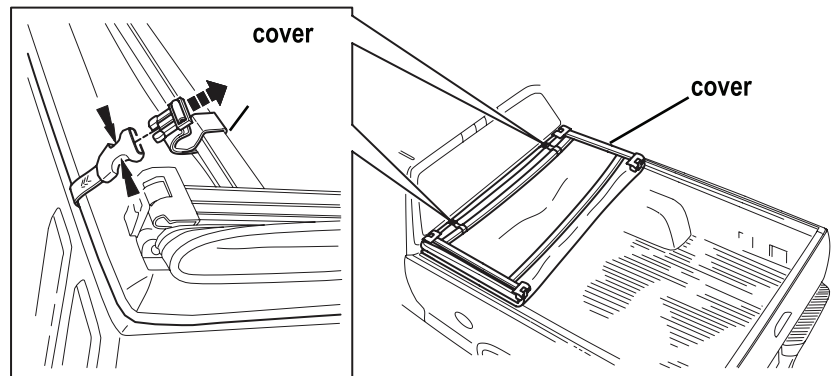
Line up to front of bed first. Center the cover assembly on the truck. Position the cover assembly so the gaps on all sides are equal.



5

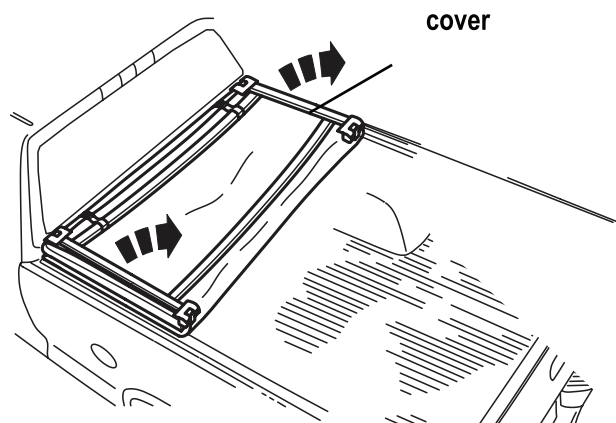
Installation Steps

The cover has retaining straps with quick-release buckles to keep it from being damaged when bulk hauling or when it is not on the vehicle.



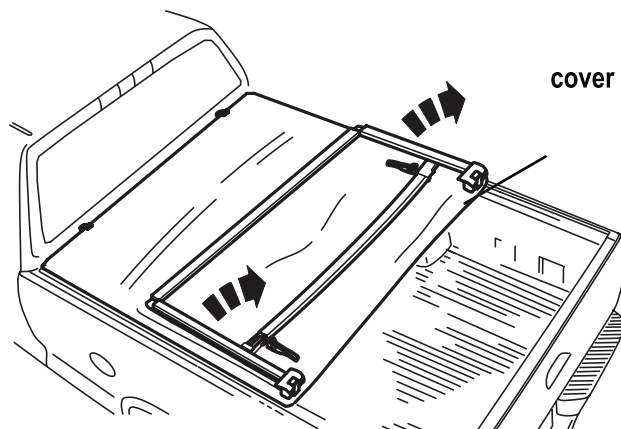
6

Unfold second section of cover.



7

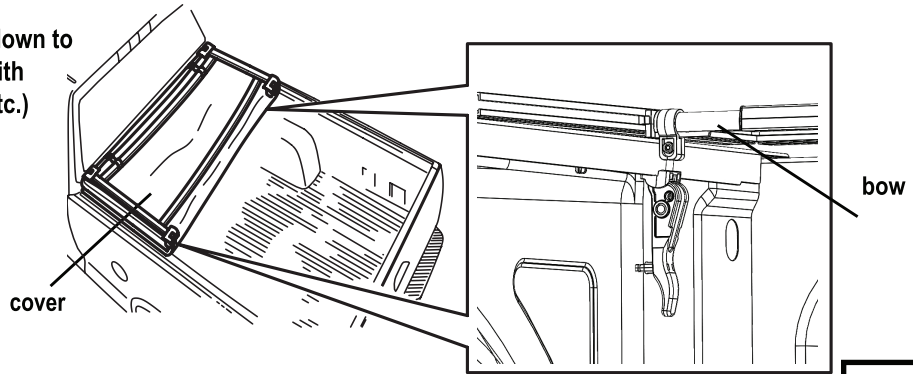
Unfold third section of cover.



8

Installation Steps Securing Front Clamps - Fold Cover Forward

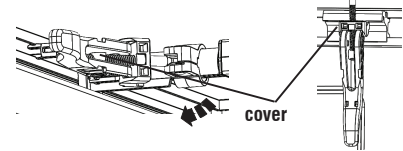
NOTE: Clamp handle must rotate completely down to the stop to be locked. If something interferes with the handle (bed liner, bed extender or cargo, etc.) it must be modified or removed.



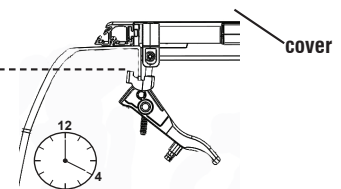
9

Rotate each clamp down from its storage position.

10



Adjust clamps to proper height. Make sure that the inner bedwall structure and clamp lid are aligned as shown by dashed line. Handle height should be adjusted, such that, the clamp contacts the bed rail flange while the handle is in the 4 o'clock (LH) or 8 o'clock (RH) position.

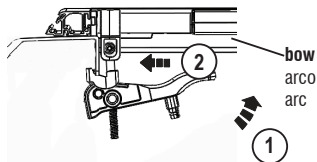


• Raise to Tighten (Up)

• Lower to Loosen (Down) Baja a Afloje (Abajo)

11

Securing Front Clamps - Fold Cover Forward(Cont.)

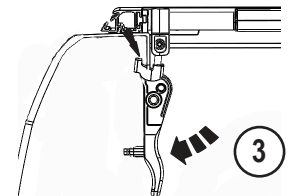


Reverse process for folding and stowing cover

Rotate handles back up and slide clamps to edge of truck bed as shown. For ease of sliding outward, the latch handle should be in this position until the clamp engages the bed flange.

12

Rotate clamps to locking position. Repeat for opposite side. Note: A light to moderate force should be felt when latching to the truck bed. The latches should NOT be loose when in the LOCKED POSITION.

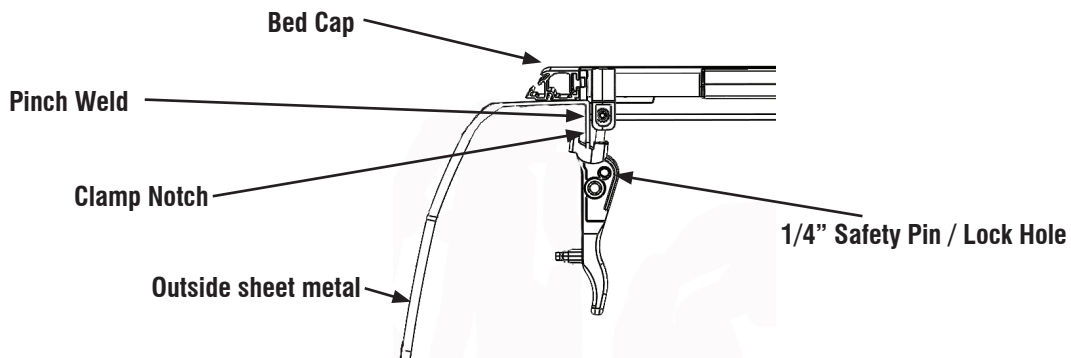


Reverse process for folding and stowing cover.

13

Installation Steps

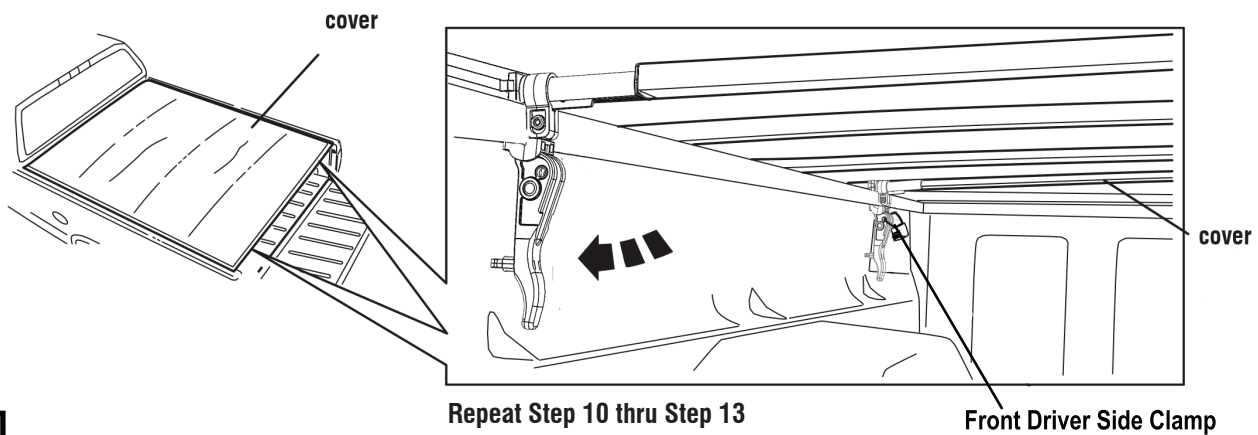
After clamping Tonneau inspect clamps to make sure the pinch weld is seated properly in the notch on the clamp.



If traveling with the Tonneau in the folded position it is recommended to use a safety pin or lock in the front clamps.

14

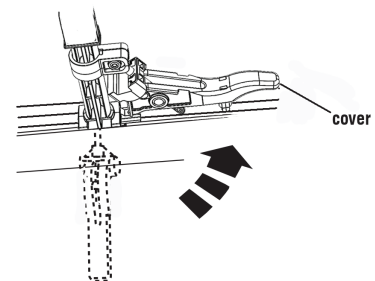
Securing Rear Clamps - Fold Cover Rearward



15

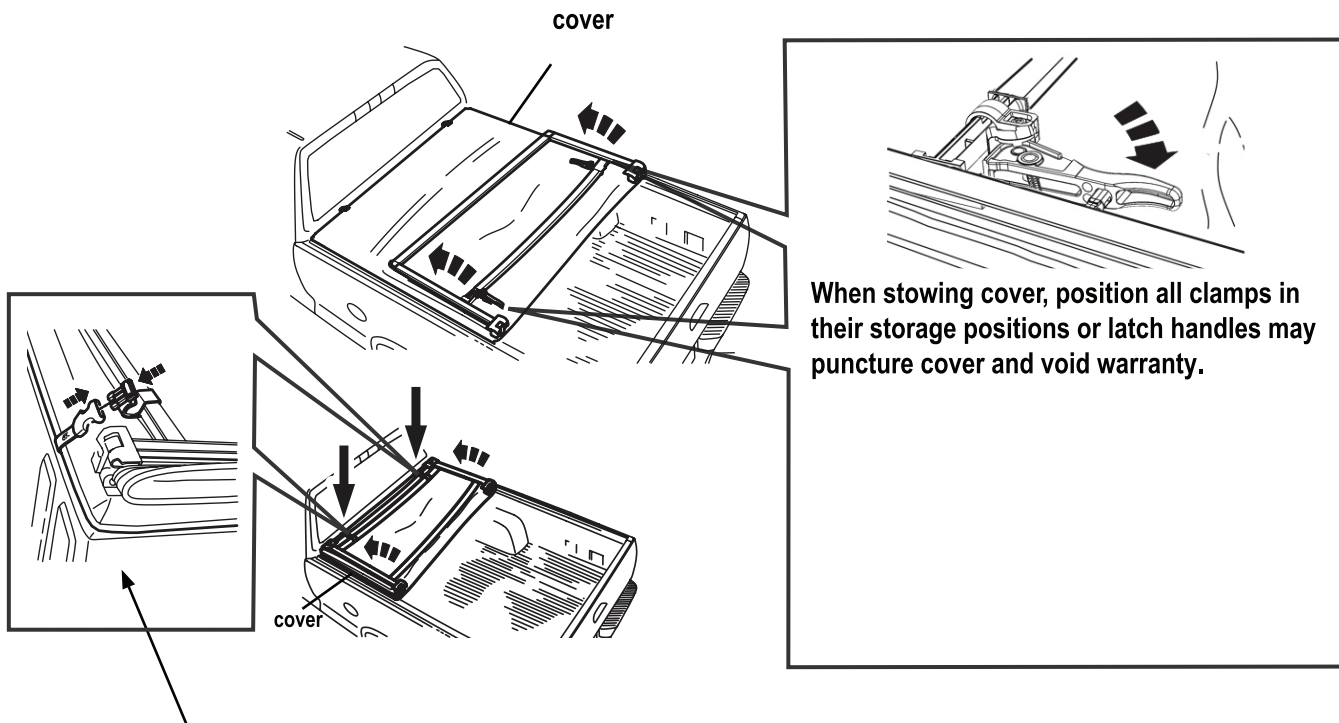
Unlatching and Securing Latches for Folding and Stowing Cover

Rotate clamp up from its install position into its storage position as shown. Make sure that latch handle matches illustration on bow caution label.



16

Installation Steps



17

The retaining straps must be buckled when vehicle is in motion if Tonneau is in the folded position.

Care and Cleaning

- Wash only with mild soap & dry with a clean cloth.
- Avoid the use of automatic "brush-style" car washes.
- Do not use cleaning solvents of any kind.
- Pressure car washes are okay as long as you hold the wand no closer than two feet from the cover.
- We recommend the same quality products normally used for vinyl tops to keep the cover clean. When using a protectant, be sure that it is water based.



The material that your product is made from can be recycled. Please also consider recycling the packaging that your product came in.



Congratulations!

You have purchased one of many quality products offered by Lund® branded products offered by Lund International. We take the utmost pride in our products and want you to enjoy years of satisfaction from your investment. We have made every effort to ensure that your product is top quality in terms of fit, durability, finish and ease of installation.

LUND®



Discover other tonneau covers on our website.