


# Installation Instructions



## Auxiliary Mounting Kit

For proper installation and best possible fit, please read all instructions BEFORE you begin.

### Important Safety Information

 **Caution:** • Read and understand all safety warnings for all tools before using tools.

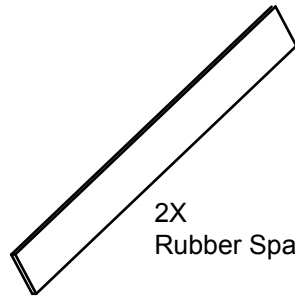
### Contents



2X  
J-Bolt

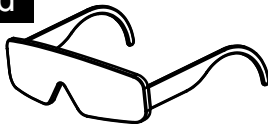


2X  
1/4-20 Serrated Flange Nut

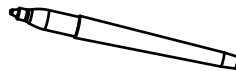


2X  
Rubber Spacer

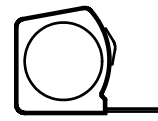
### Tools Required



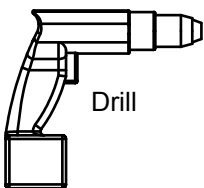
Safety Glasses



Marker  
Marcador



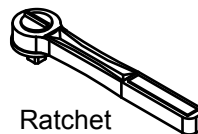
Tape Measure



Drill



9/32" Drill Bit



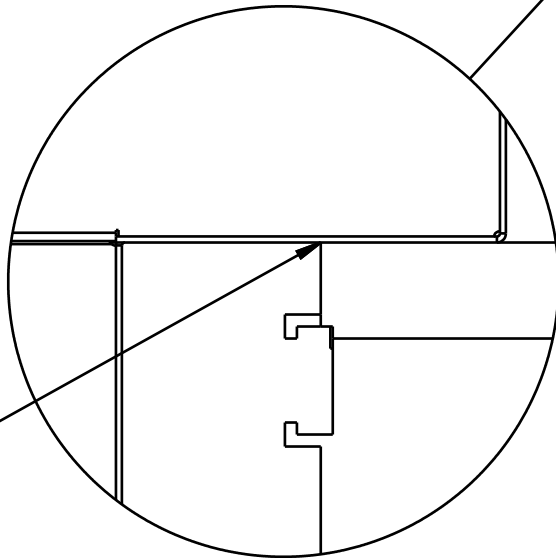
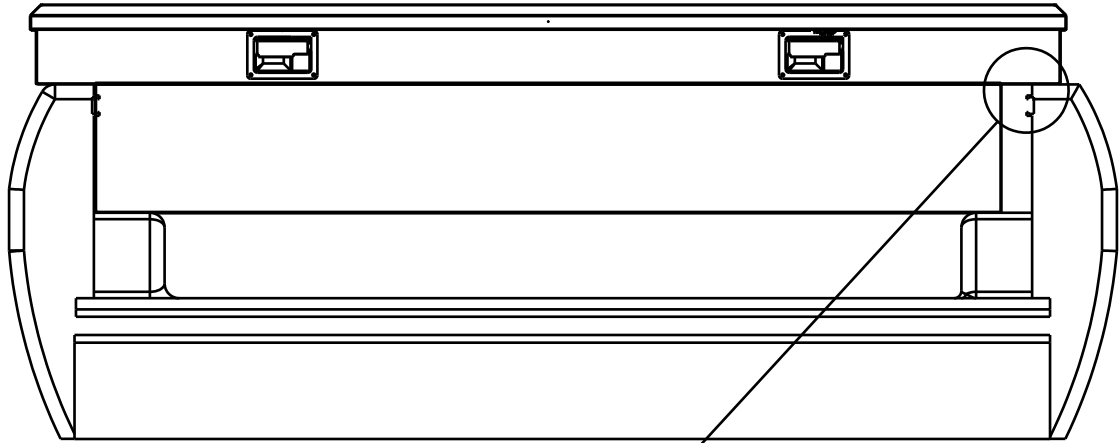
Ratchet



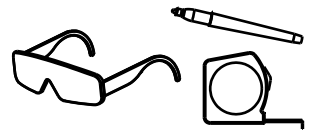
1/2" Socket

# Installation Steps

1

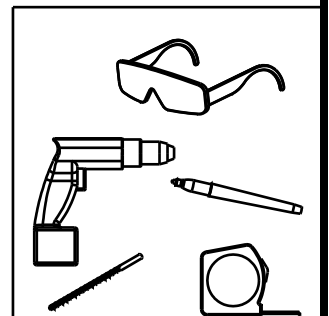
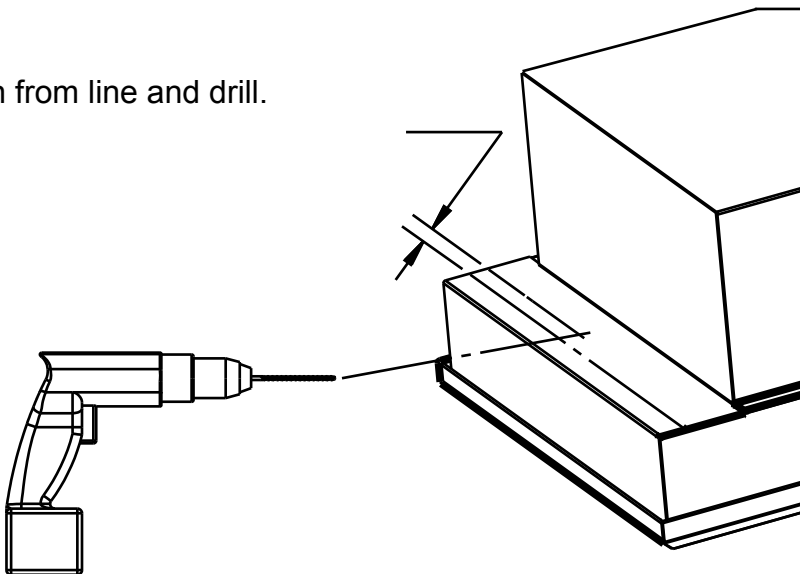


Mark Here



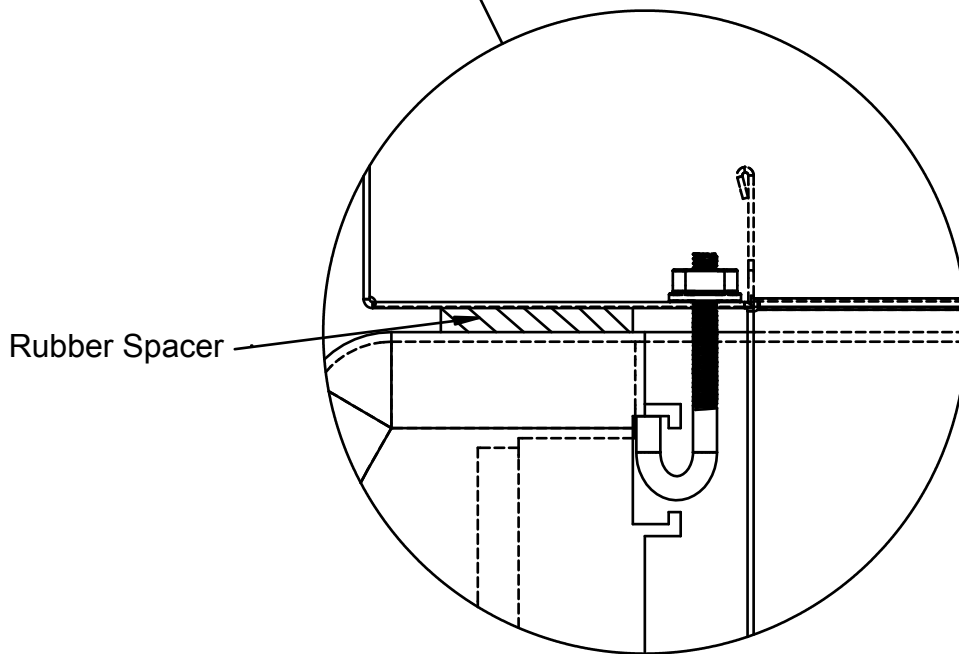
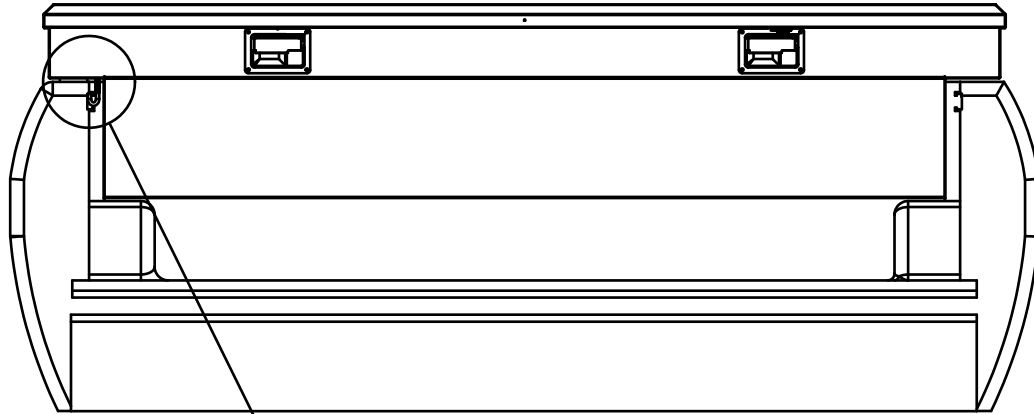
2

Mark 5/8" in from line and drill.

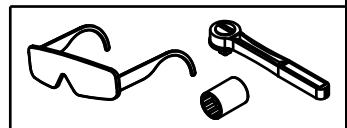


# Installation Steps

3



Center tool box on the bed between rails. Install J-Bolt and nut, then tighten.



## Congratulations

You have purchased one of many quality products offered by Lund ® branded products offered by Lund International, Inc. We take the utmost pride in our products and want you to enjoy years of satisfaction from your investment. We have made every effort to ensure that your product is top quality in terms of fit, durability, finish and ease of installation.

**LUND®**



Learn more about truck bed accessories we have.