

Installation Instructions



Cargo Bar With Net

Contents

(1) Telescoping Cargo Bar



(2) Plastic Clip



(1) Bungee Cord



(1) Cargo Net

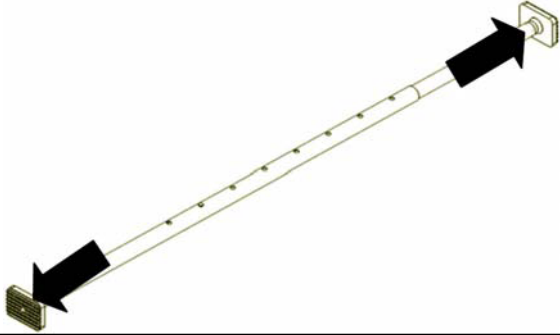
For proper installation and best possible fit, please read all instructions BEFORE you begin.

WARNING**WARNING**

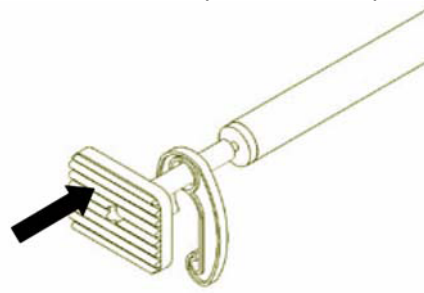
To avoid risk of injury to you and others on highway and/or property damage, read and follow all instructions accompanying this product as well as specific warnings and limitations regarding weight limits, loading and handling/roll over risks contained in your Vehicle Owners Manual, the Hitch Manufacturer's Manual and for the Lund ® Heavy Duty Storage bag.

- Distributed load must not exceed the lesser of hitch manufacturer's tongue weight rating or vehicle manufacturer's rear load limit.
- Carrier hitch pins and locking keys must be secured before each use.
- Assure Storage Bag is Free from Damage and securely strapped to the Cargo Carrier before each use. Check Frequently.
- Do not block taillights/ safety equipment/ exhaust pipes. Confirm Carrier, load and Bag do not block free flow of exhaust and are not exposed to another heat source.
- Do not transport flammable/combustible items on Carrier.

STEP 1 Remove end pads.



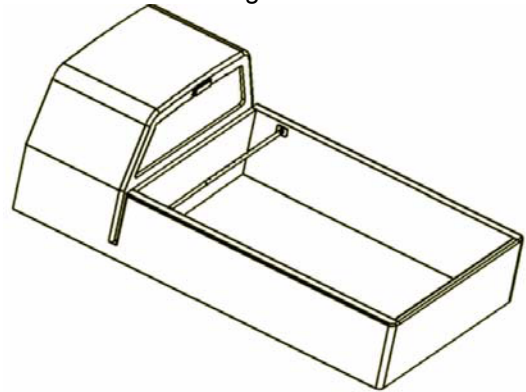
STEP 2 Place the plastic hooks on the end pad stud and replace the end pads.



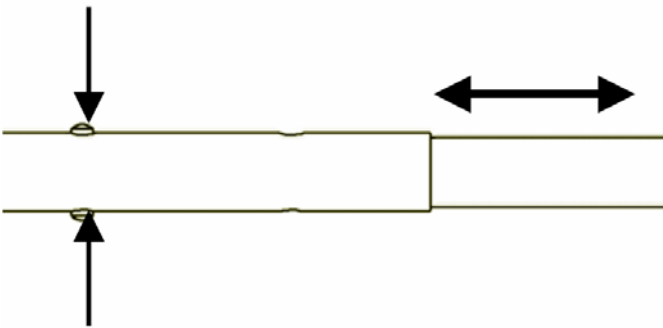
STEP 3 Place the corner loops of the net in the bottom loop of the plastic clip.



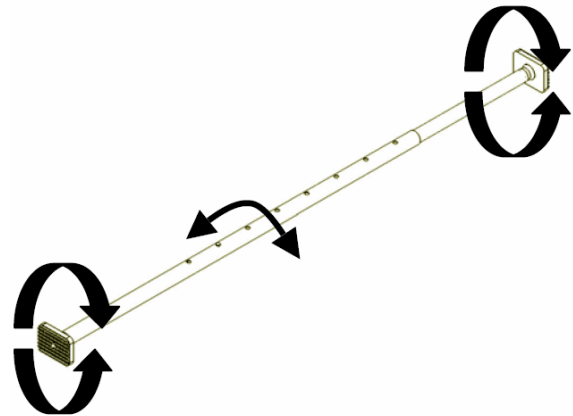
STEP 4 Adjust the width of the cargo bar to the inside width of the cargo area.



STEP 5 To adjust the bar, depress the pushpins and slide the bar in and out to the closest width. Make sure the pins are in a locked position.



STEP 6 Twist the end pads until they touch the sides of the cargo area. Then twist the bar to tighten. Tighten the cargo bar until the cargo is secure. Be careful not to over tighten the cargo bar, as it can cause damage to the cargo area.



Congratulations!

You have purchased one of the many quality Lund branded products offered by Lund International, Inc. We take the utmost pride in our products and want you to enjoy years of satisfaction from your investment. We have made every effort to ensure that your product is top quality in terms of fit, durability, finish, and ease of installation.



Learn more about truck bed accessories we have.