

Installation Instructions

I-Sheet Number 10266 Rev. F

LUND®

750# Folding Ramp

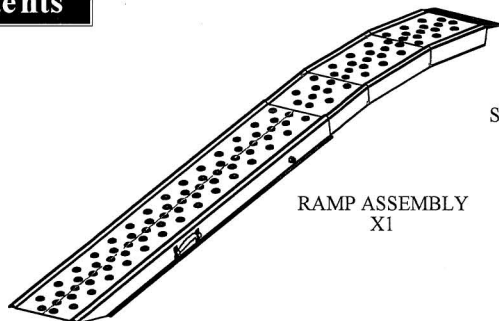
For proper installation and best possible fit, please read all instructions **BEFORE** you begin.

Important Safety Information

⚠ WARNING

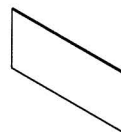
- Ramp may break or slide if not properly secured or misused. Avoid slack in safety chains when attaching ramps to the loading surface.
- When loading or unloading from a vehicle, make sure emergency brake is on, vehicle is in park (engine off) with wheels blocked.
- Do not overload ramps. Maximum distributed load capacity is 750# per ramp. Keep ramps parallel and load centered. Do not park load on ramp for an extended period of time.
- Ramps must be clean, dry, and free of grease, mud, and other material prior to use.
- Do not ride equipment on ramp. Stand to side when loading, use winch if necessary and keep body clear in case load or ramp shifts or breaks.
- Do not park equipment on ramp or use as a jack for changing oil, or vehicle maintenance.
- Not intended for loading automobiles, trucks, persons or as a handicap access.
- Do not alter ramps or use other than indicated in these warnings and accompanying instructions.
- Use only on firm, level surface.
- Not intended for use on trailers. Loading surface must be between 28" and 40" off of the ground. Ramp must be secured to the loading surface.

Contents



RAMP ASSEMBLY
X1

SAFETY CHAINS ARE INCLUDED AND
ARE PERMANENTLY ATTACHED
TO THE RAMP.



RAMP PAD
X1

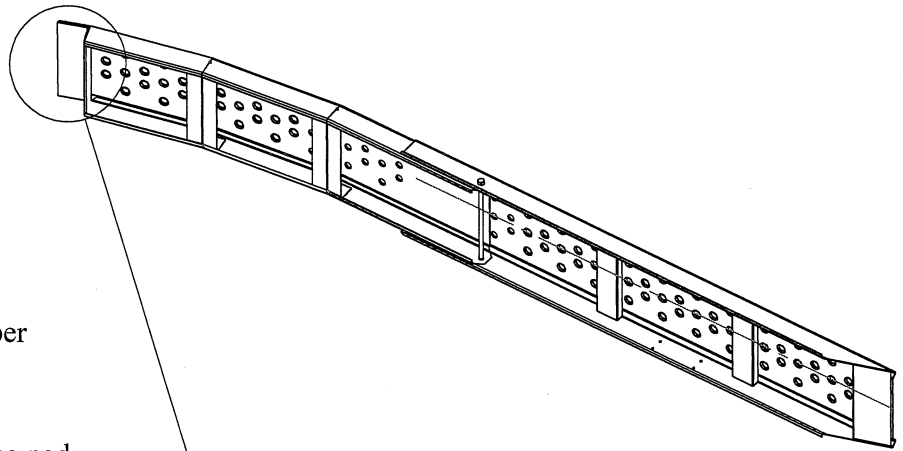
Tools Required



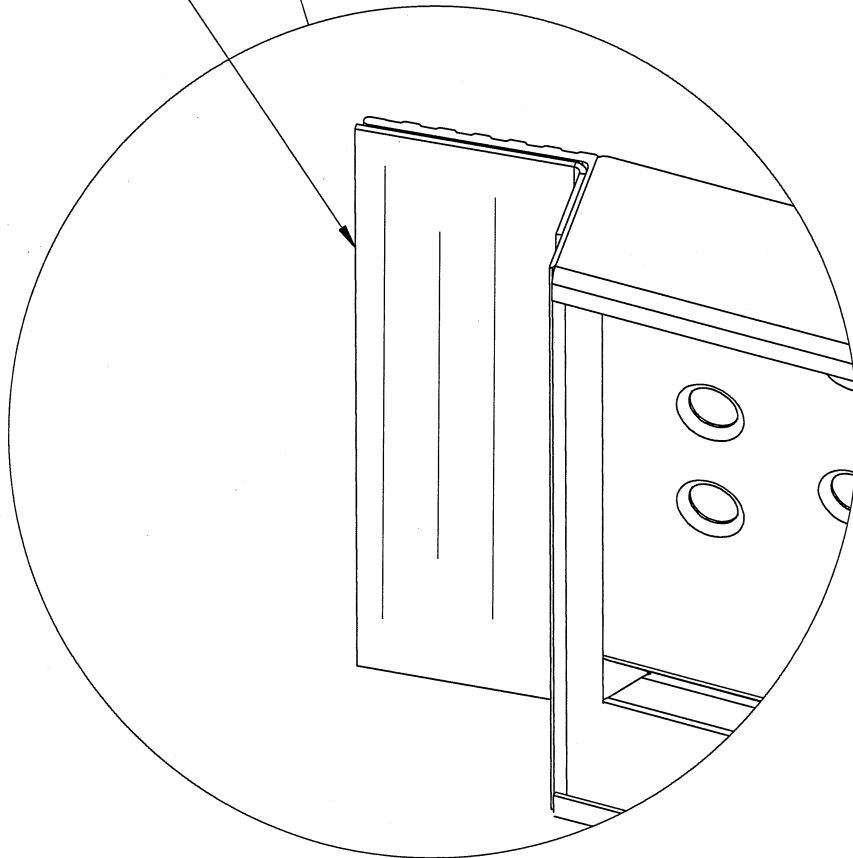
ALCOHOL

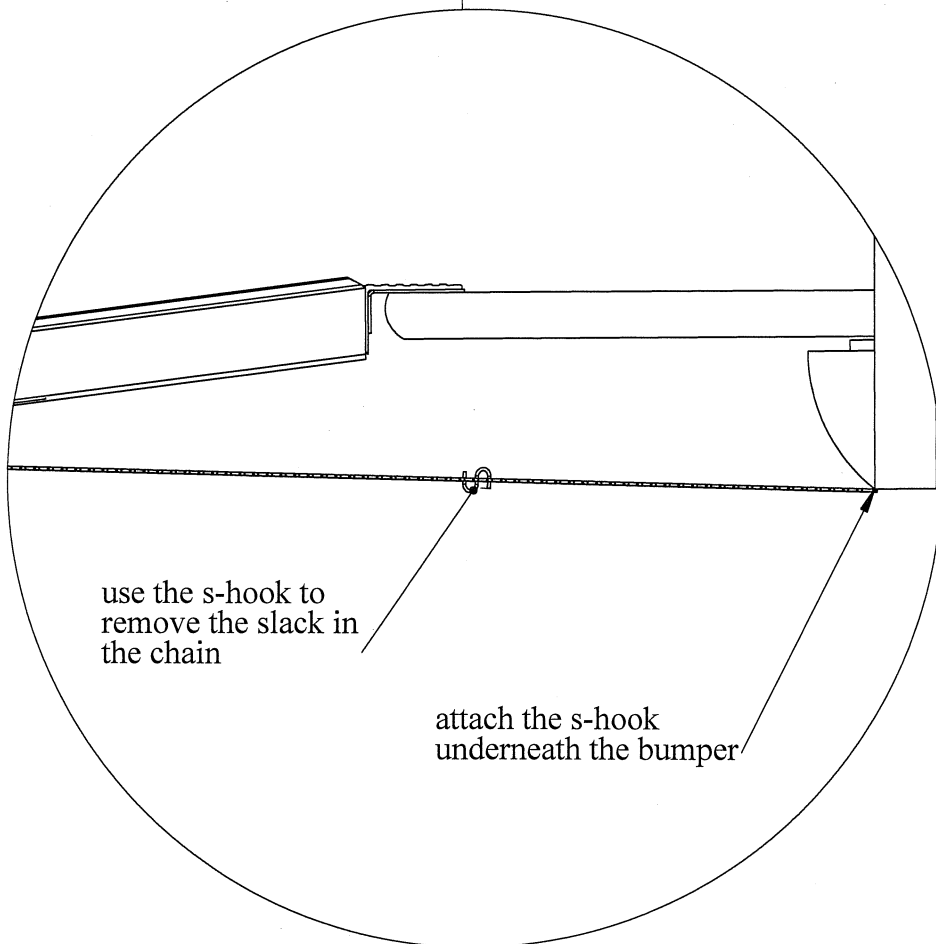
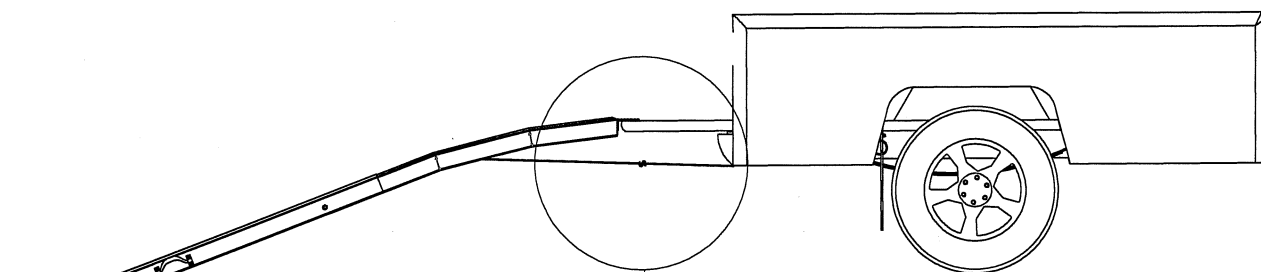
Installation Steps

I-10266



Clean the bottom surface of the upper ramp angle with Isopropyl Alcohol. Let dry. Peel the backer off the back of the rubber pad. Starting at the front edge position the pad evenly on the angle and roll the pad back to and then up the vertical part of the angle, press firmly into place .





use the s-hook to
remove the slack in
the chain

attach the s-hook
underneath the bumper

Care and Cleaning

- Do not use cleaning solvents of any kind.
- Wash only with mild soap and water, dry with a clean cloth.
- Periodically check all components for tightness.

Congratulations

You have purchased one of the many quality Lund® branded products offered by Lund International, Inc. We take the utmost pride in our products and want you to enjoy years of satisfaction from your investment. We have made every effort to ensure that your product is top quality in terms of fit, durability, finish and ease of installation.

