

Assembly Instructions

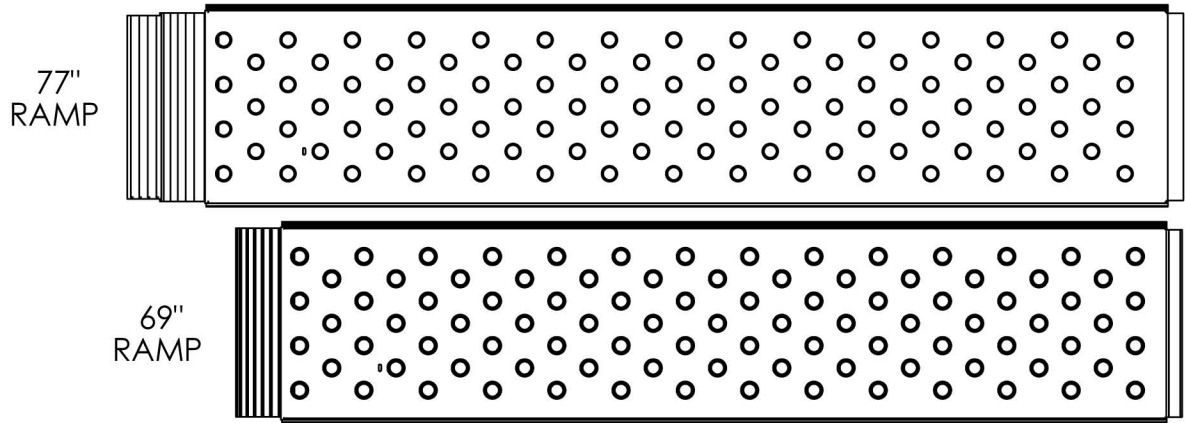
I-Sheet Number 10334 Rev. B

LUND®

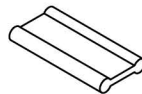
Bi-Fold / Tri-Fold Ramp

For proper assembly and best possible fit, please read all instructions BEFORE you begin.

Contents



X4 BI-FOLD
X8 TRI-FOLD



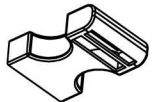
X2 BI-FOLD
X4 TRI-FOLD



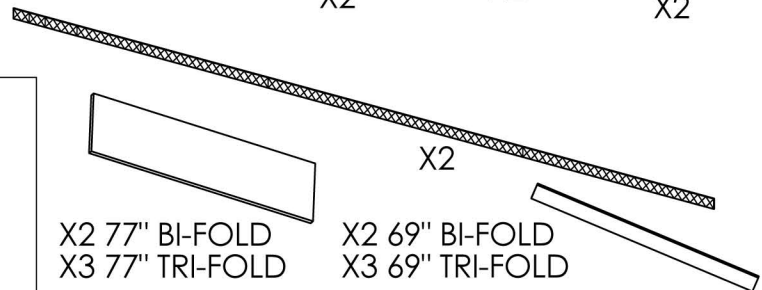
X2



X2



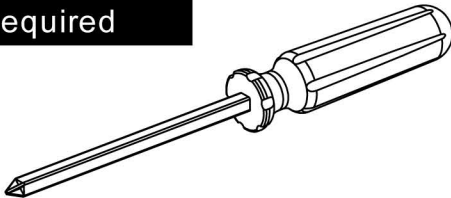
X2



X2 77" BI-FOLD
X3 77" TRI-FOLD

X2 69" BI-FOLD
X3 69" TRI-FOLD

Tools Required



Important

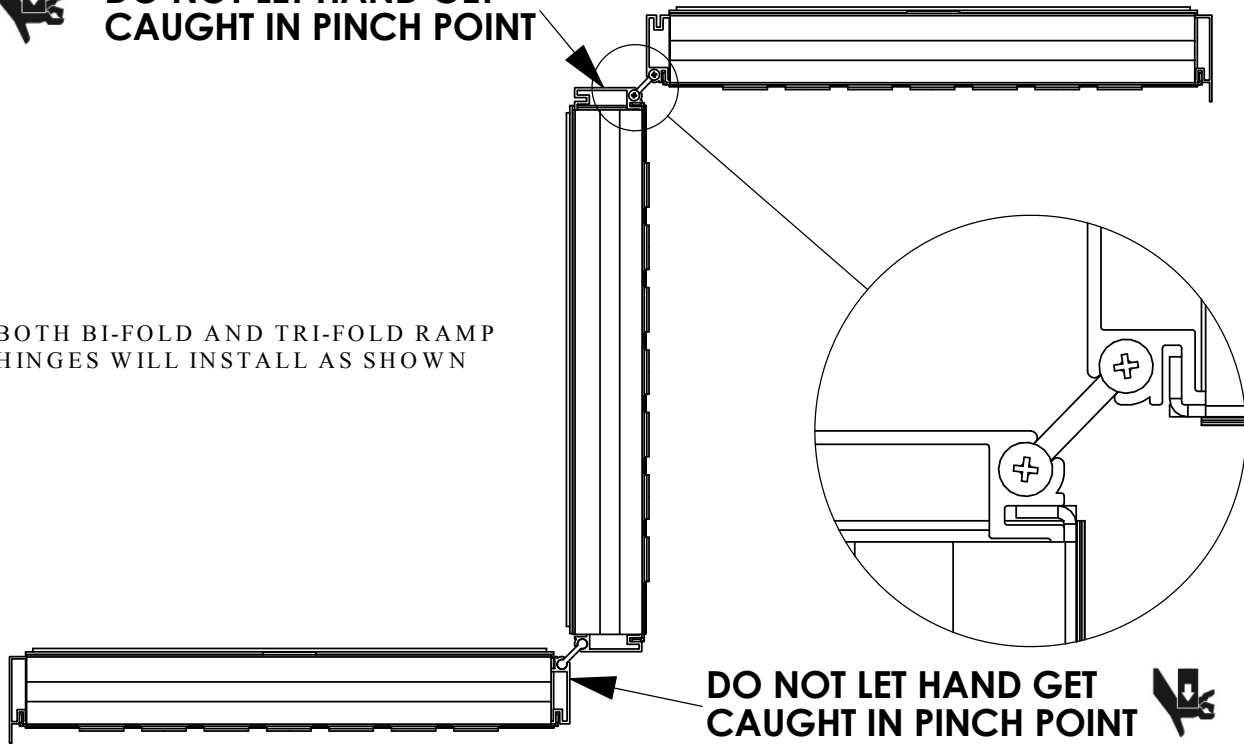
⚠ WARNING

- Ramp may break or slide if not properly secured or if misused.
- Use caution when opening, attaching, and closing ramps to avoid getting your hands caught in the pinch points.
- Avoid slack in the attachment strap when fixing ramps to tailgate.
- When loading and unloading from the vehicle, make sure the emergency brake is on, vehicle is in gear or park (engine off) with the wheels blocked.
- Do not overload ramp. Maximum distributed weight capacity for the Bi-Fold ramp is 1500 pounds; for the Tri-Fold ramp it is 2000 pounds.
- Ramps must be clean, dry, and free of grease, mud and other materials.
- Do not ride equipment up ramp. Stand to the side when loading, use winch if necessary and keep body clear in case loads shift or ramps break.
- Do not park on ramp or use as jack for changing oil, tires, or vehicle maintenance.
- Not intended for loading automobiles, trucks, persons or as a handicap access.
- Do not alter ramps or use other than indicated.
- Use only on a firm level surface.

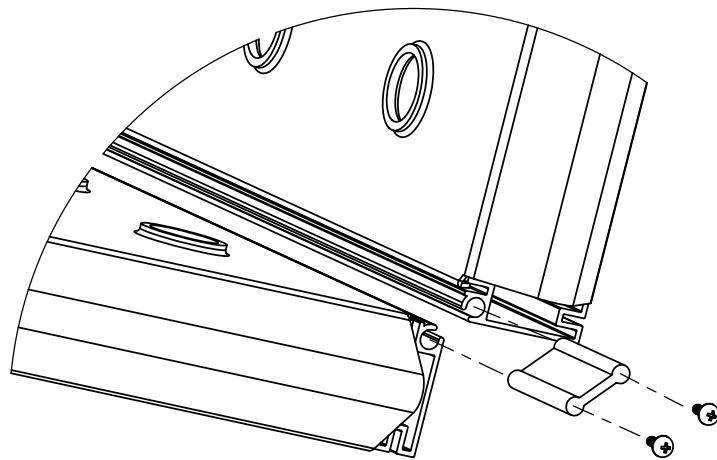


DO NOT LET HAND GET CAUGHT IN PINCH POINT

BOTH BI-FOLD AND TRI-FOLD RAMP HINGES WILL INSTALL AS SHOWN



DO NOT LET HAND GET CAUGHT IN PINCH POINT



INSERT RUBBER HINGE INTO THE TOP AND BOTTOM TRACKS OF THE EXTRUSION. INSERT THE SCREWS INTO THE HINGE TO HOLD IT IN PLACE

STRAP ASSEMBLY

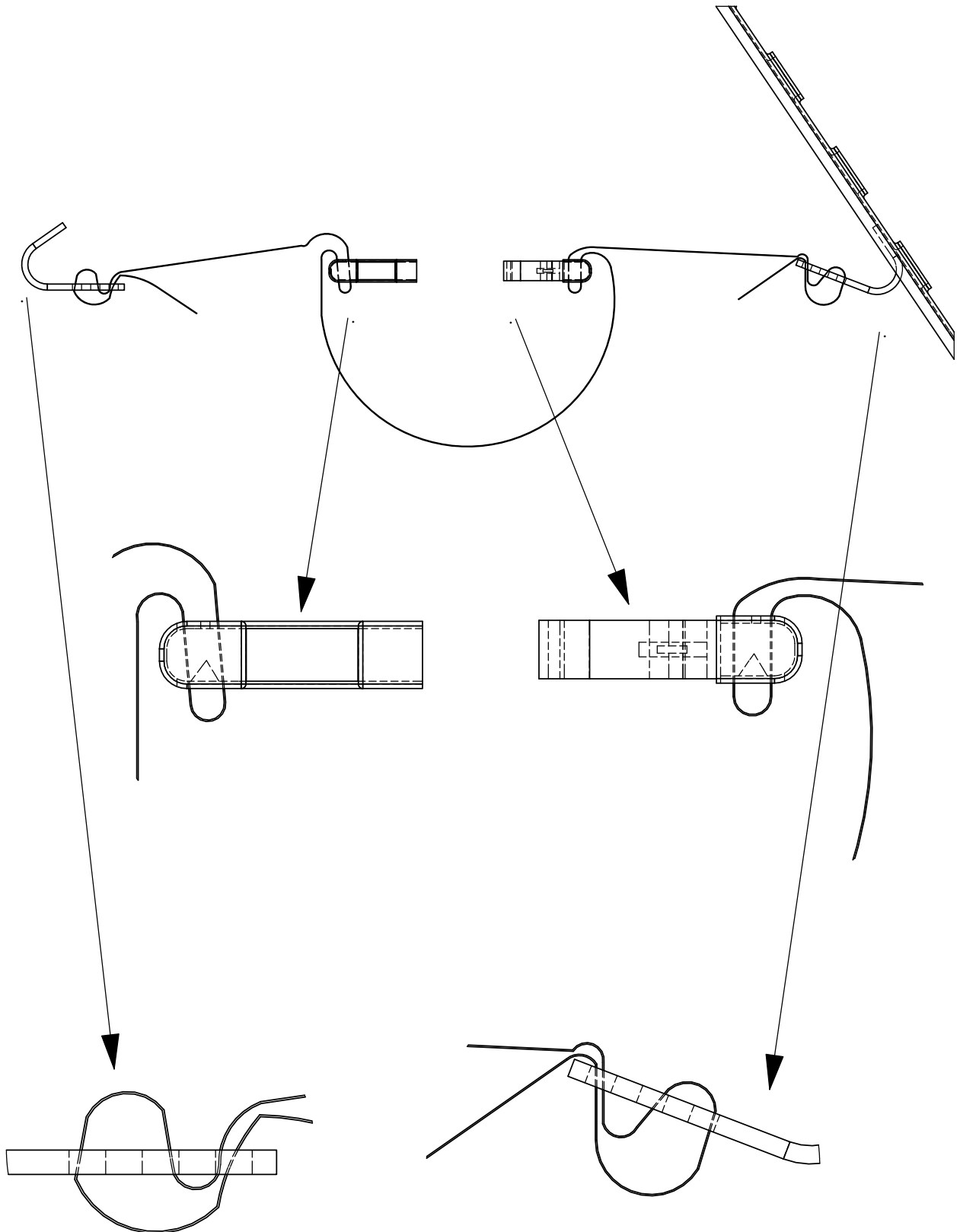
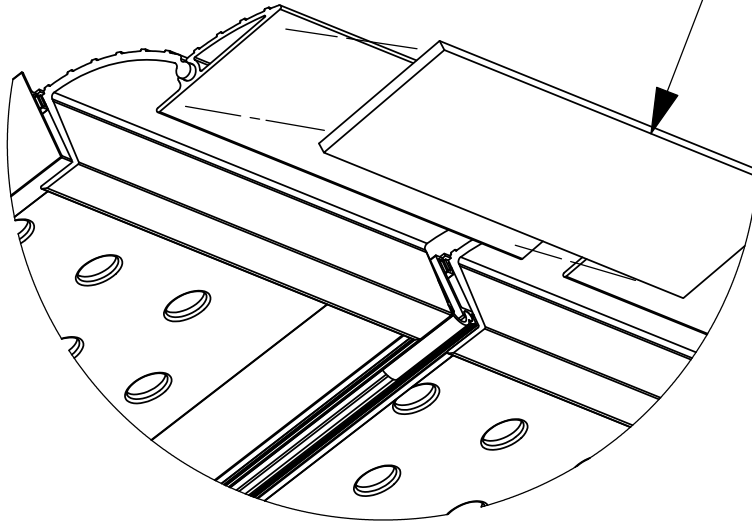


ILLUSTRATION SHOWS PROPER LACING OF THE STRAP ASSEMBLY.

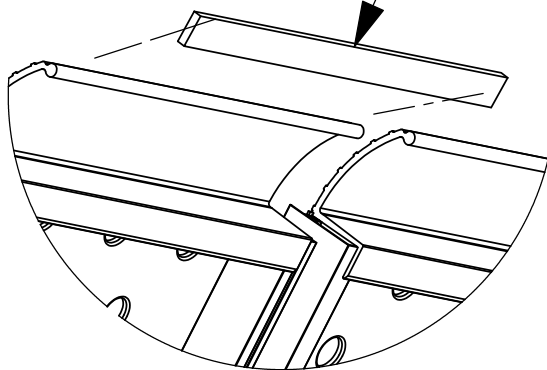
REMOVE THE PROTECTIVE PAPER FROM THE PAD
AND POSITION AS SHOWN BELOW.



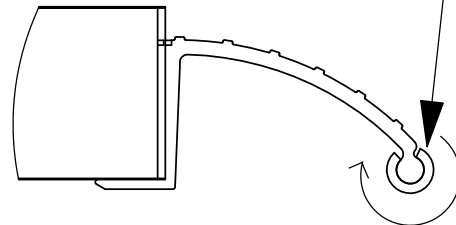
77" RAMP

THIS END OF THE RAMP WILL BE
PLACED ON THE LOADING SURFACE.

REMOVE THE PROTECTIVE PAPER FROM THE PAD
AND POSITION AS SHOWN BELOW.



START HERE AND WRAP AROUND



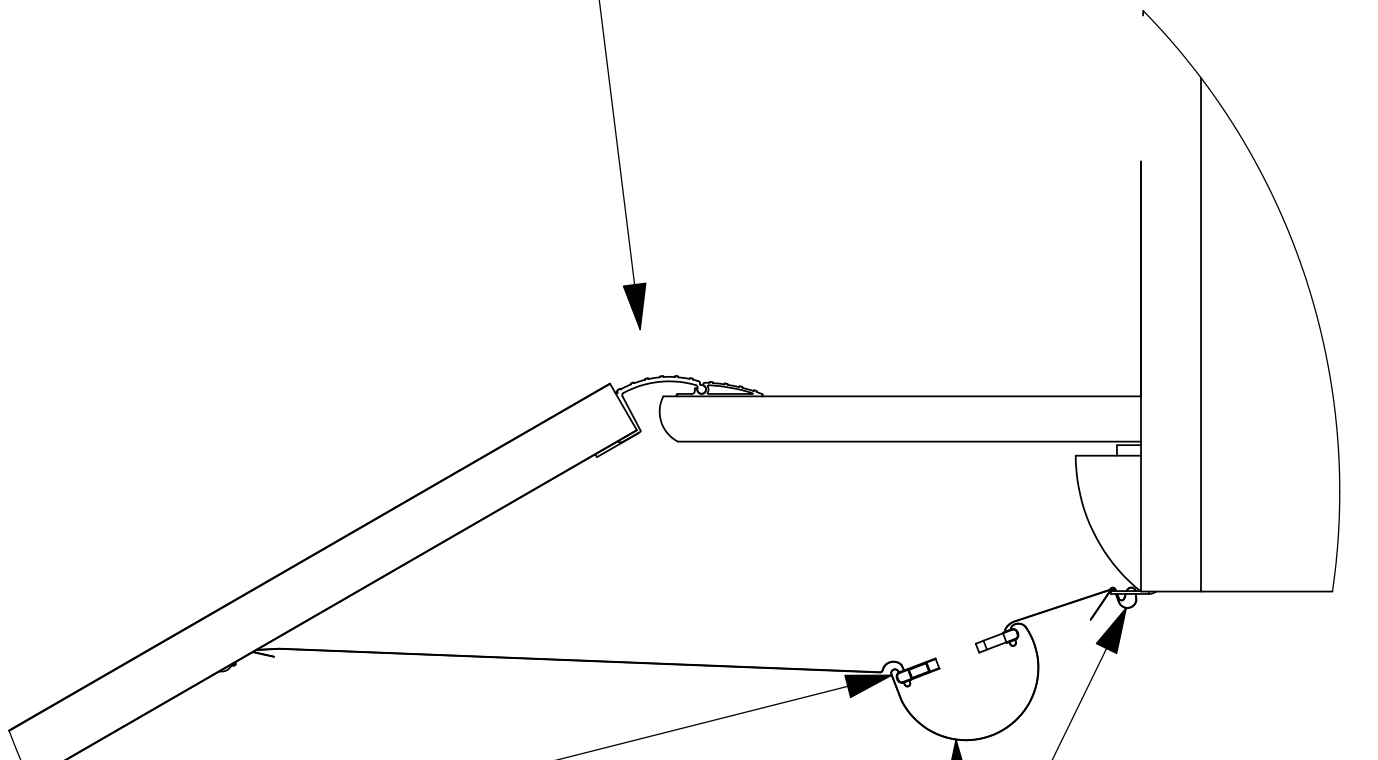
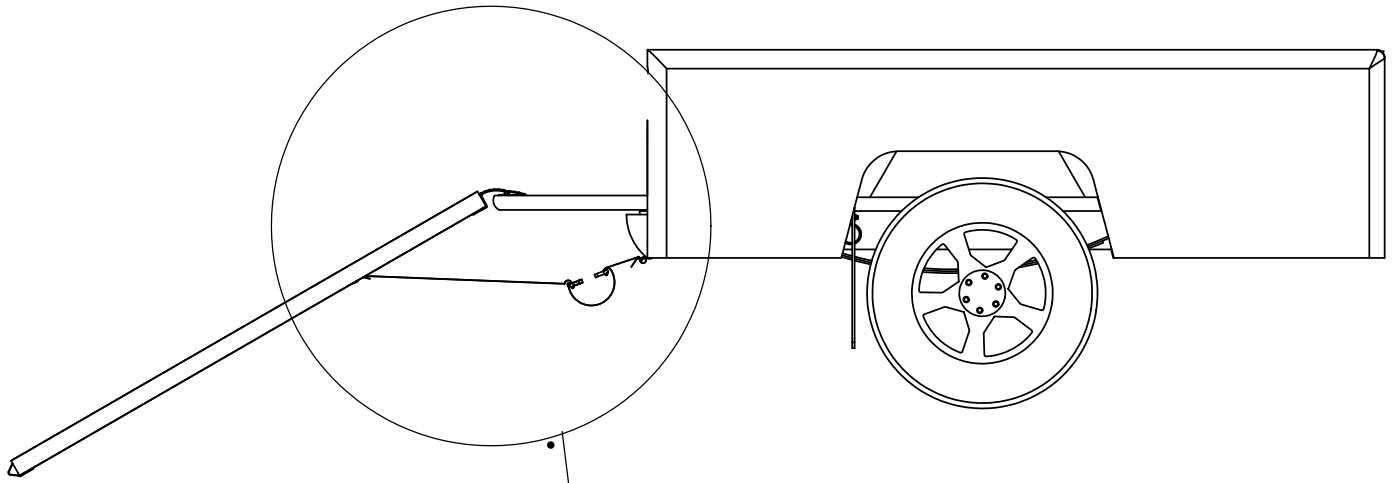
69" RAMP

THIS END OF THE RAMP WILL BE
PLACED ON THE LOADING SURFACE.

Installation Steps

I-10334

77" VERSION SHOWN



1. FASTEN THE BUCKLE

3. REMOVE THE SLACK IN THE STRAP ASSEMBLY

2. ATTACH THE HOOK
UNDERNEATH THE BUMPER

TO REMOVE: RELEASE THE SNAP ON THE BUCKLE

Important

- Do not use cleaning solvents of any kind.
- Wash only with mild soap and water, dry with a clean cloth.
- Periodically check all components for tightness.

Congratulations!

You have purchased one of the many quality Lund® branded products offered by Lund International, Inc. We take the utmost pride in our products and want you to enjoy years of satisfaction from your investment. We have made every effort to ensure that your product is top quality in terms of fit, durability, finish and ease of installation.

