


Installation Instructions

LUND Challenger TM / Ultima TM Crossover & Sidebox Tool Boxes

For proper installation and best possible fit, please read all instructions BEFORE you begin.

Important Safety Information

-  **WARNING**
- Avoid the use of automatic “brush-style” car washes.
 - Do not use cleaning solvents of any kind.
 - Periodically check all components for tightness.
 - The lid is not a load bearing surface.
 - Do not expose painted surfaces to gasoline, diesel, or other caustic fluids.
 - Be sure to wear safety glasses while installing the toolbox.
 - When using power tools read and understand all operating instructions.

 **CAUTION**


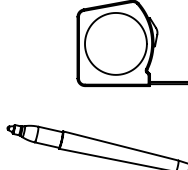
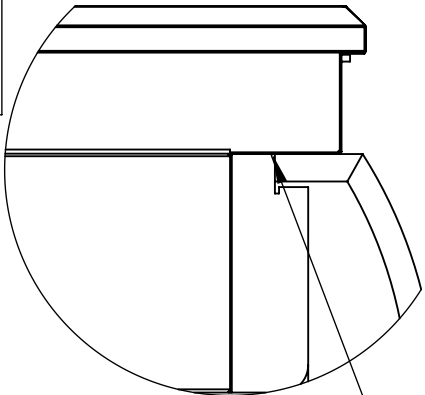
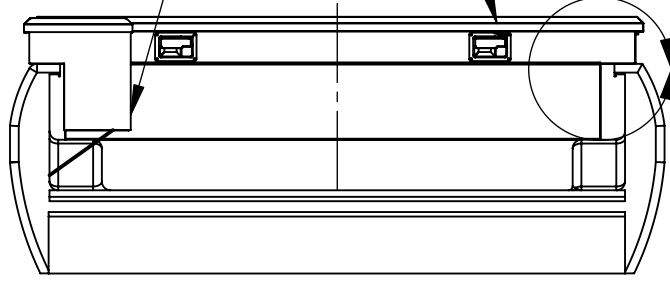
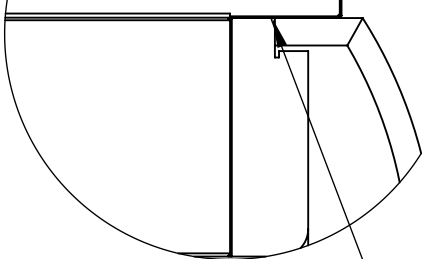
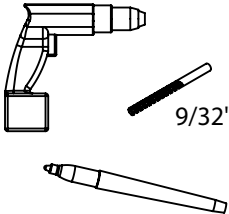

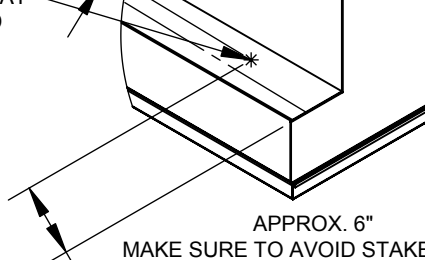
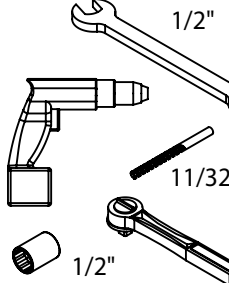
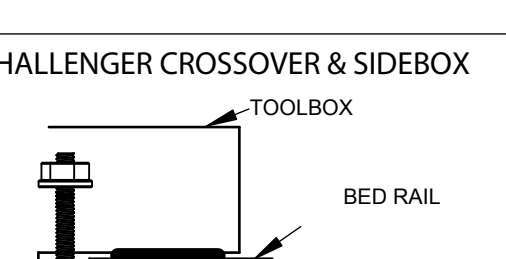
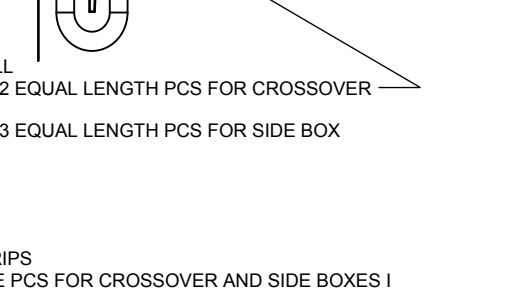
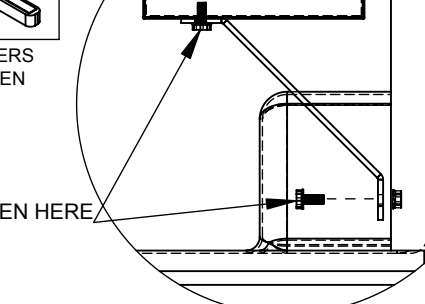
Contents

Challenger		Ultima		Sidebox	
2X J-Bolt	2X 1/4-20 Serrated Flange Nut	2X Carriage Bolt	2X Hex Nut Tuerca hexagonal	4X 5/16" Serrated Flange Nut	4X Serrated Flange Bolt
1X Foam Gasket	1X Foam Strips	1X Foam Gasket	2X Flat Washer	2X J-Bolt	2X 1/4-20 Serrated Flange Nut
or	or	or	2X Lock Washer	2X Mounting Bracket	or
			1X Foam Strips	1X Foam Gasket	1X Foam Strips

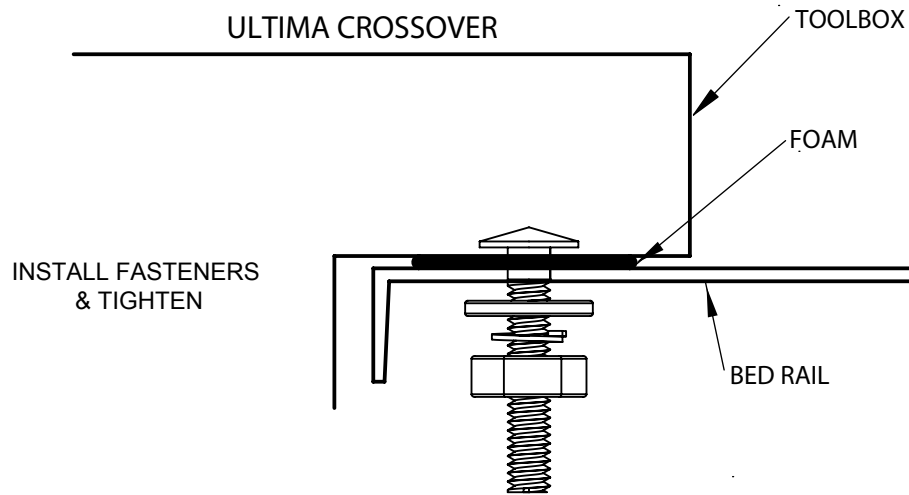
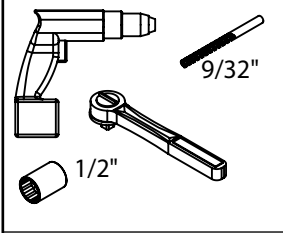
Tools Required

Safety Glasses	Drill	9/32" & 11/32" Drill Bit	Tape Measure	Marker	1/2" Wrench	1/2" Socket
				Utility Knife	Ratchet	

Installation Steps

	<p>CHALLENGER SIDEBOX</p> <p>CHALLENGER & ULTIMA CROSSOVER</p>		 <p>MARK BOX HERE</p>
<p>1</p>		<p>2</p>	 <p>MARK BOX HERE</p>
 <p>9/32"</p>	<p>CROSSOVER</p> <p>MARK 5/16" IN FROM THE LINE AND DRILL</p> <p>DRILL HERE</p>	<p>3</p>	<p>SIDEBOX</p> <p>MARK 5/16" IN FROM THE LINE AND DRILL</p> <p>DRILL HERE AND AT OPPOSITE END</p> <p>APPROX. 6" MAKE SURE TO AVOID STAKE HOLES</p>
 <p>1/2"</p> <p>INSTALL FASTENERS & TIGHTEN</p>	<p>CHALLENGER CROSSOVER & SIDEBOX</p> <p>TOOLBOX</p> <p>BED RAIL</p> <p>FOAM ROLL CUT INTO 2 EQUAL LENGTH PCS FOR CROSSOVER</p> <p>CUT INTO 3 EQUAL LENGTH PCS FOR SIDE BOX</p> <p>FOAM STRIPS SEPARATE PCS FOR CROSSOVER AND SIDE BOXES I</p>	<p>4</p>	 <p>MARK BOX HERE</p>
 <p>1/2"</p> <p>11/32"</p> <p>1/2"</p> <p>INSTALL FASTENERS & TIGHTEN</p>	 <p>MARK BOX HERE</p>	<p>5</p>	<p>SIDEBOX</p> <p>DRILL & FASTEN HERE</p>
<p>6</p>	 <p>MARK BOX HERE</p>	<p>6</p>	 <p>MARK BOX HERE</p>

Installation Steps



7

Important

1. Occasionally lubricate the hinge and latches.
2. Occasionally adjustment of latching system is needed allowing this product to function properly.

Congratulations

You have purchased one of the many quality® Lund branded products offered by Lund International, Inc. We take the utmost pride in our products and want you to enjoy years of satisfaction from your investment. We have made every effort to ensure that your product is top quality in terms of fit, durability, finish and ease of installation.

