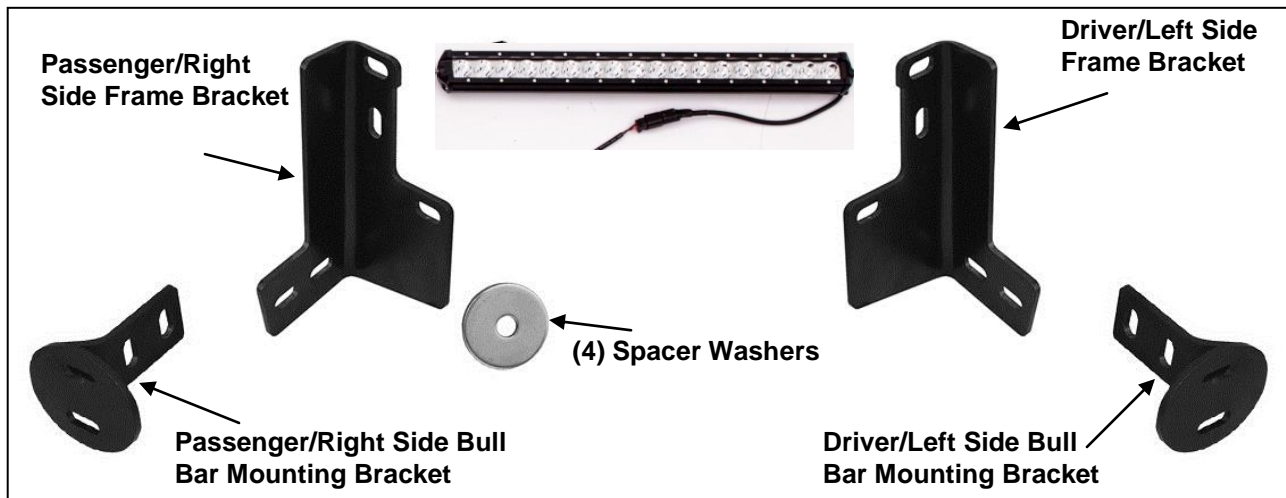


PARTS LIST:

Qty	Description	Qty	Description
1	Driver/Left Frame Mounting Bracket	10	10mm x 20mm OD x 2mm Small Flat Washers
1	Passenger/Right Frame Mounting Bracket	6	10mm Lock Washers
1	Driver/Left Bull Bar Mounting Bracket	6	10mm Hex Nuts
1	Passenger/Right Bull Bar Mounting Bracket	4	8-1.25mm x 35mm Hex Bolts
1	LED Light Bar	4	8mm x 24mm OD x 2mm Flat Washers
4	Large Spacer Washers	4	8mm Lock Washers
2	10-1.50mm x 120mm x 30mm Hex Bolts	1	Wrench
4	10-1.50mm x 30mm Hex Bolts		
2	10mm x 30mm OD x 2.5mm Large Flat Washers		



EQUIPMENT NEEDED:

- Safety Glasses
- Ratchet Set
- Pliers or Adjustable Wrench

IMPORTANT NOTES:

- Bull Bar *may* interfere with parking sensors on the bumper.
- The LED light bar can be wired into the factory lighting, or a wiring harness can be purchased separately.
- If state law requires a front license plate, a relocation kit is available separately.
- For cleaning, mild soap may be used to clean the Bull Bar, and aluminum polish may be used on the stainless steel to polish small scratches and scuffs on the finish.
- REMOVE CONTENTS FROM BOX, VERIFY ALL PARTS ARE PRESENT, & READ INSTRUCTIONS CAREFULLY. **NOTE: PROFESSIONAL INSTALLATION IS RECOMMENDED.**

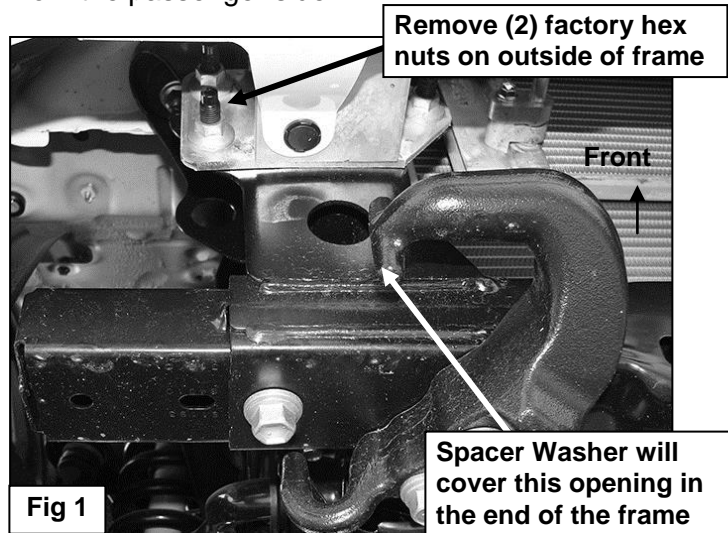
LIGHT BAR INSTALLATION:

1. Remove light bar from box and screw bolts and washers into each end.
2. Slide bolts into crossbeam brackets with the washers on the outside of the bracket, and tighten using the supplied allen key

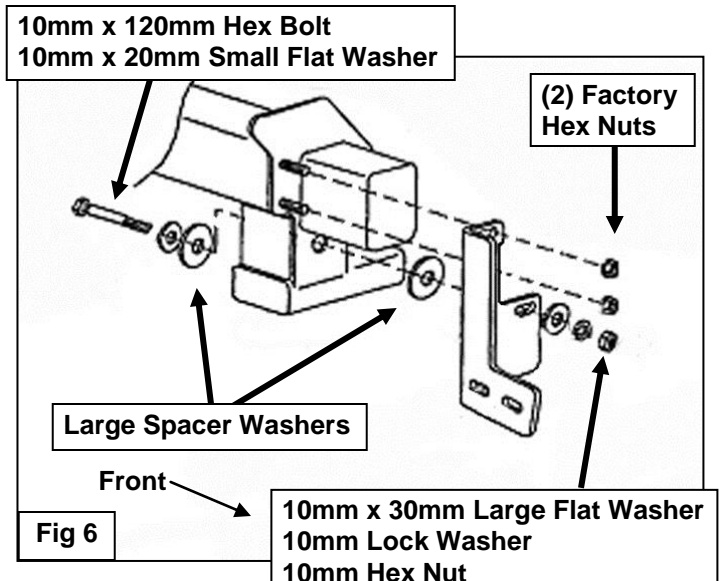
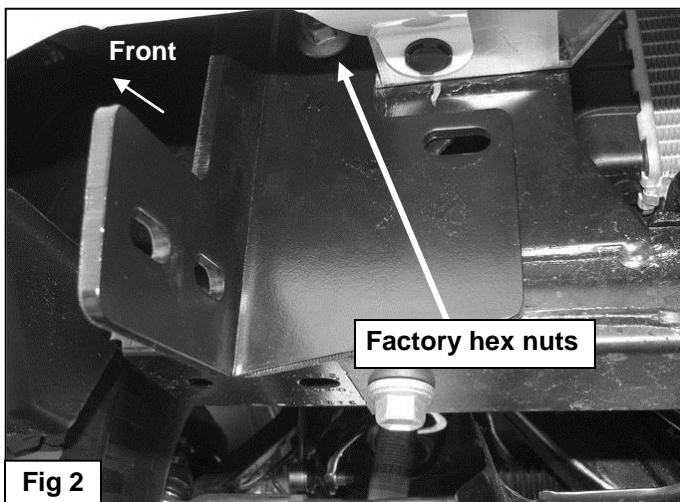


BULL BAR INSTALLATION:

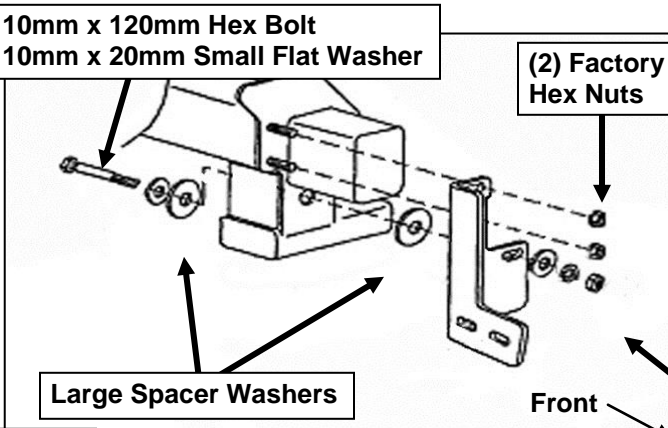
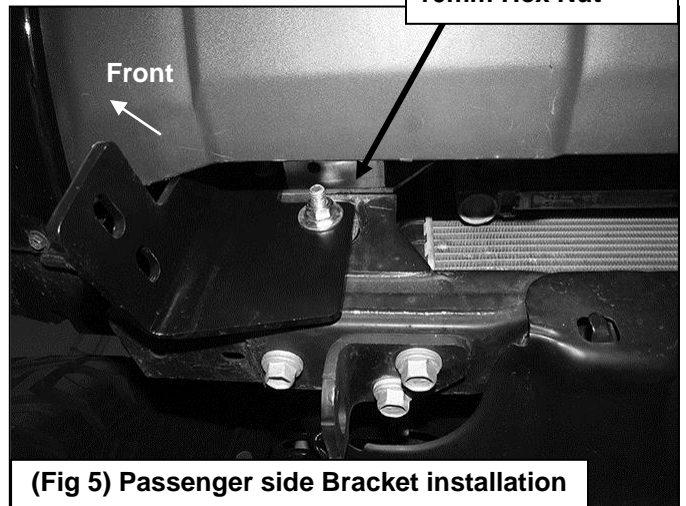
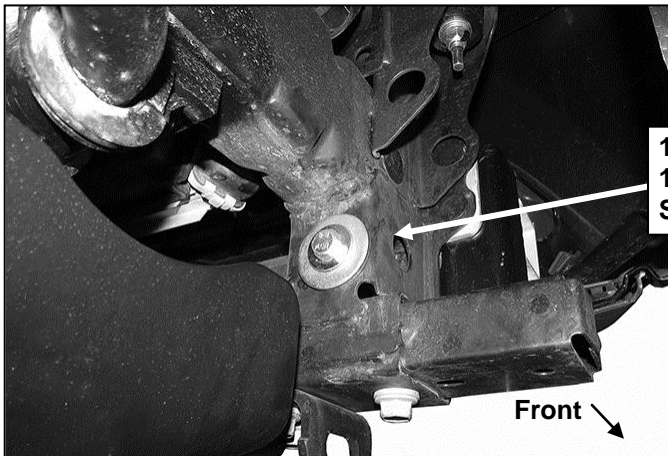
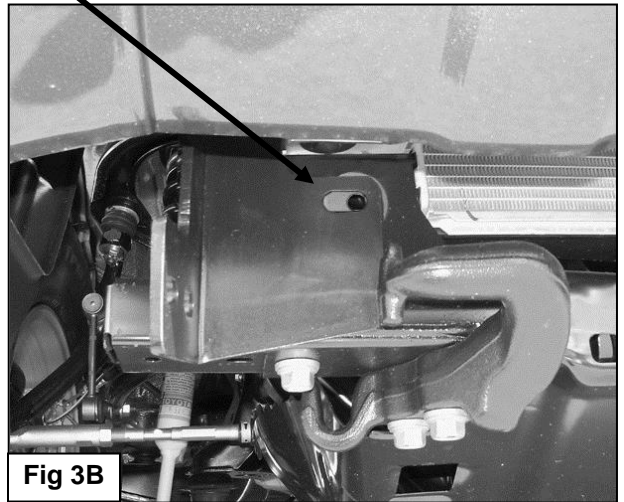
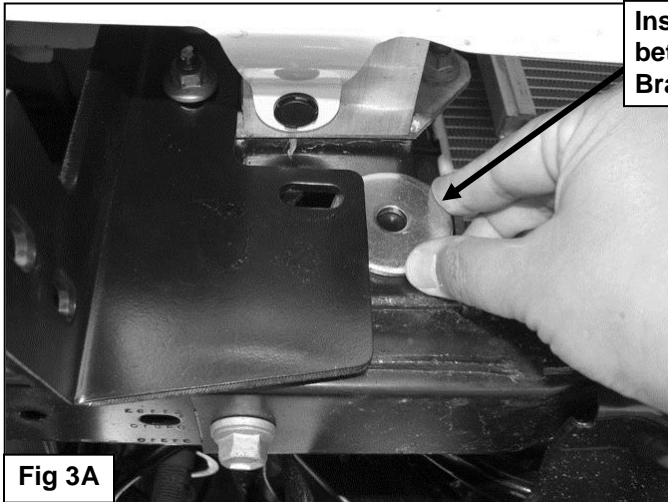
1. Start installation at the passenger side, front of the vehicle. Remove the (2) outer factory hex nuts attaching the bumper mount to the end of the frame, (**Figure 1**). **NOTE:** It may be necessary to temporarily remove the factory tow hook from the passenger side.



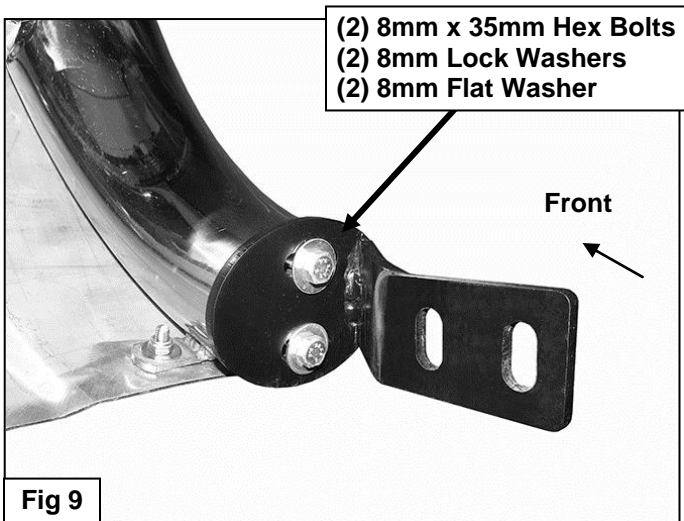
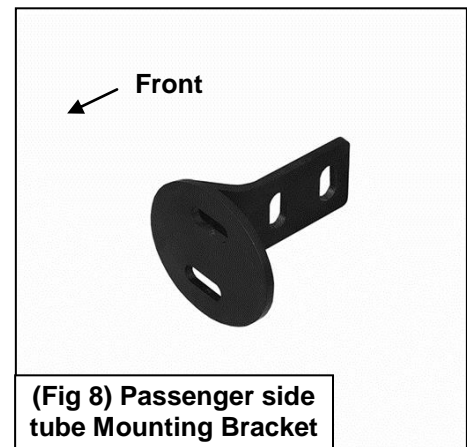
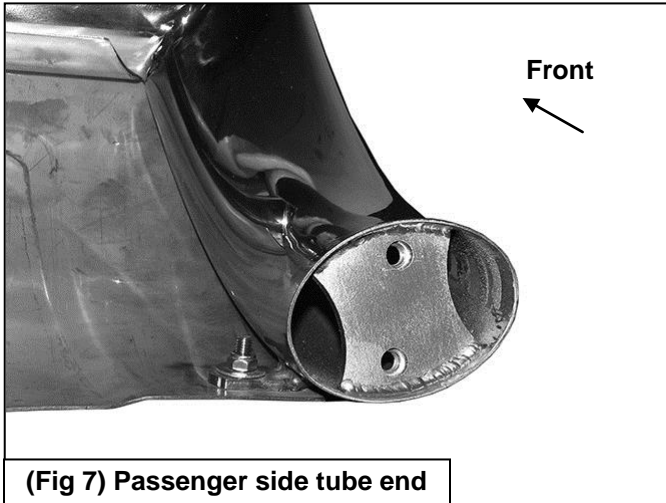
2. Select the passenger side frame mounting bracket. Slide the Bracket over the (2) threaded studs. Secure the Bracket to the studs with the factory hex nuts, (**Figures 2 & 6**). Leave hardware loose at this time.



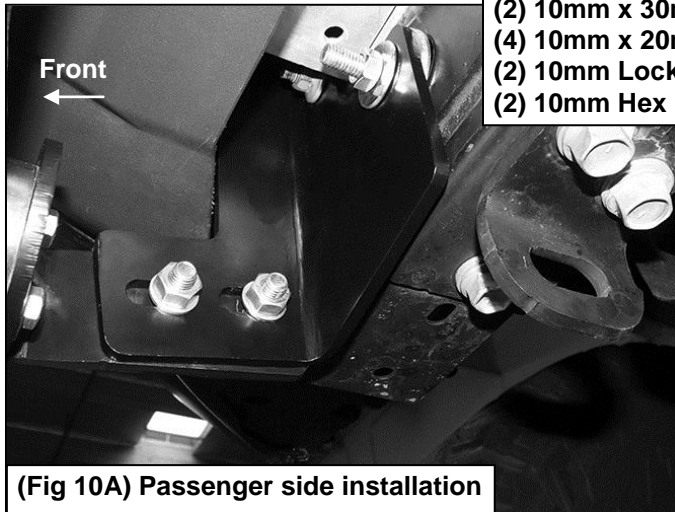
3. Slide (1) Large Spacer Washer between the Mounting Bracket and the frame cross member, (**Figures 3A & 3B**). Insert (1) 10mm x 120mm Hex Bolt with (1) 10mm x 20mm OD Small Flat Washer and (1) Large Spacer Washer into and through the hole in the back of the cross member. Make sure the Spacer Washer is against the cross member covering the large hole, (**Figures 4 & 6**). Push the long bolt through the outer Spacer Washer and Frame Bracket. Secure the Bracket to the Bolt with (1) 10mm x 30mm Large Flat Washer, (1) 10mm Lock Washer and (1) 10mm Hex Nut, (**Figures 5 & 6**). Leave hardware loose at this time.



- Repeat **Steps 2—4** for driver side Bracket installation.
- Next, carefully unwrap the Bull Bar, (**Figure 7**). Select the passenger side Bull Bar Mounting Bracket, (**Figure 8**). Attach the Bracket to the end of the Bull Bar with (2) 8mm x 35mm Hex Bolts, (2) 8mm Lock washers and (2) 8mm Flat Washers, (**Figure 9**). Center the mounting flange on the Bracket with the end of the tube on the Bull Bar. Snug but do not tighten hardware. Repeat this Step to install the passenger side Mounting Bracket.

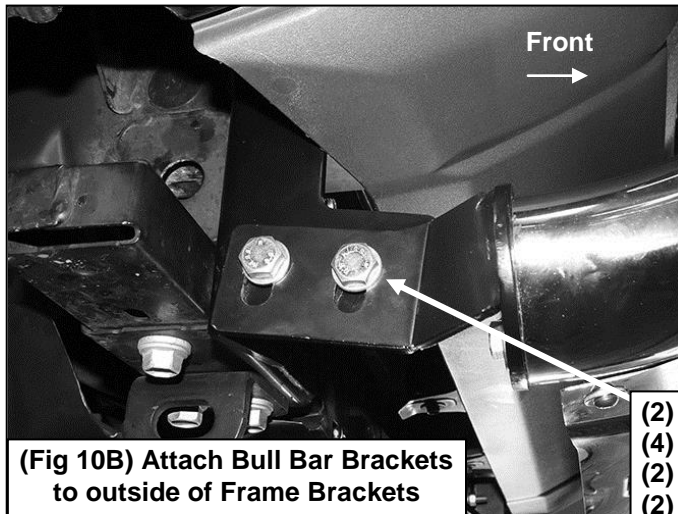


6. With assistance, line up the mounting tabs on the Bull Bar with the outside of the (2) previously installed Frame Mounting Brackets. Bolt the Bull Bar to the Frame Mounting Brackets with the included (4) 10mm x 30mm Hex Bolts, (8) 10mm x 20mm OD Small Flat Washers, (4) 10mm Lock Washers and (4) 10mm Hex Nuts, **(Figures 10A & 10B)**. Snug but do not tighten hardware at this time.



(2) 10mm x 30mm Hex Bolts
(4) 10mm x 20mm Small Flat Washers
(2) 10mm Lock Washers
(2) 10mm Hex Nuts

(Fig 10A) Passenger side installation



(Fig 10B) Attach Bull Bar Brackets to outside of Frame Brackets

(2) 10mm x 30mm Hex Bolts
(4) 10mm x 20mm Small Flat Washers
(2) 10mm Lock Washers
(2) 10mm Hex Nuts

7. Level and adjust the Bull Bar properly and tighten all hardware. Reinstall the tow hook if removed.
8. Determine if accessory lights will be installed.