

# Installation Instructions

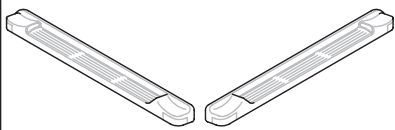
## **LUND**<sup>®</sup> Running Boards

### Important Safety Information



- CAUTION - Before driving, ensure that the Running Boards are properly anchored to vehicle.
- Do not use automatic "brush-style" car washes.
- Do not use cleaning solvents of any kind.
- Periodically check all components for tightness.

### Contents **NOTE:** Actual product may vary from illustration.



Running Boards (2)



Brackets  
2071-11 (8)



Bracket  
3002-1(2)



Bracket  
3002-A(1)



Bracket  
3002-B(1)



M8x30mm  
(1-1/5") Bolts  
(16)



5/16"x3/4"  
Square Bolts  
(16)



8.5x18x2 (5/16")  
Washers (16)



5/16" Flanged Nuts  
(16)



M8 U-Nuts  
(16)



3/8" x 1"  
Bolts(2)



3/8" Flat  
Washer (2)

### Tools Required



Socket Set

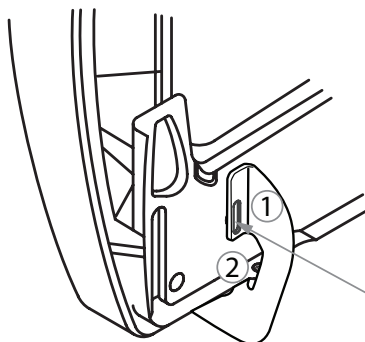
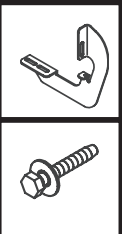


Ratchet

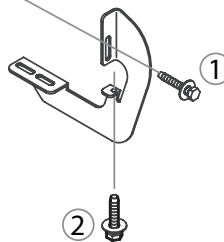
### Preparation Before Painting / Installation

- A trial fit is recommended to ensure proper positioning and fit.
- Check fit of parts before painting as we will not accept the return of modified or painted parts.

### Installation Steps **NOTE:** Actual application may vary slightly from illustrations.



Starting at the driver side front, find threaded hole in rocker panel and pinch weld. Attach bracket with bolts. Repeat for second bracket.



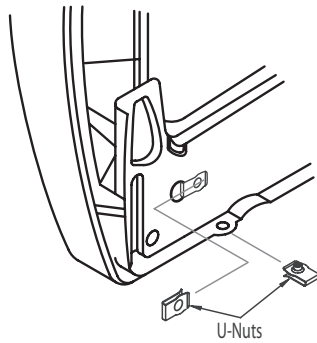
1

# Installation Steps

**NOTE:** Actual application may vary slightly from drawings.



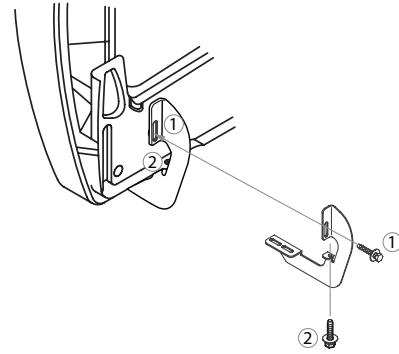
Remove black rubber grommet from third hole in rocker panel and slide U-nut as pictured. Attach U-nut in pinch weld as pictured.



2



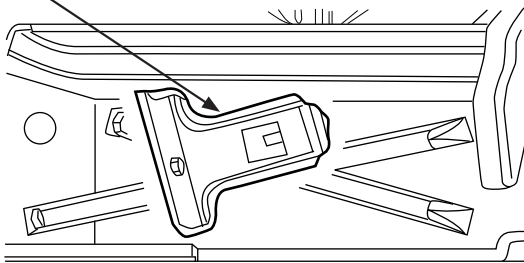
Attach bracket with bolts. Repeat **Steps 2 and 3** for fourth bracket.



3

Starting with the passenger side second mounting location slide 3002-A up behind the urea tank and hook the tab into the bolt hole. Pull down and align with pinch weld.

3002-A

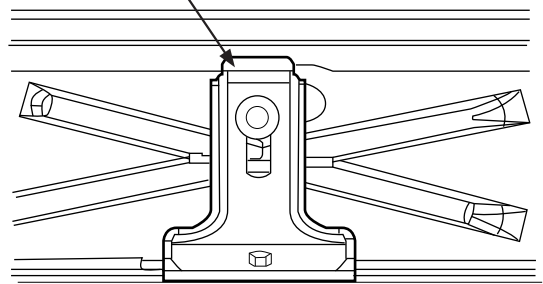


4



Moving to the passenger side third mounting location place a u-nut into the hole and secure 3002-B using a M8 bolt.

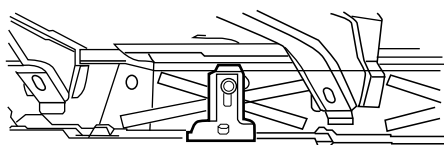
3002-B



5



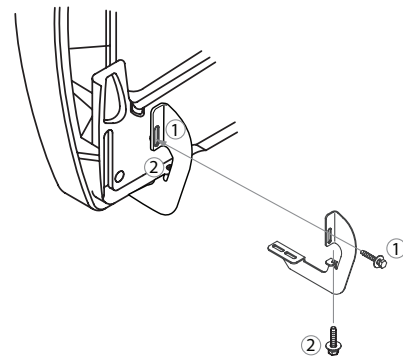
Select a 3002-1 and a 3/8" bolt and washer, secure to 3002-A through the mounting hole in the pinch weld. Repeat for 3002-B.



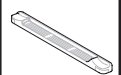
3002-1

6

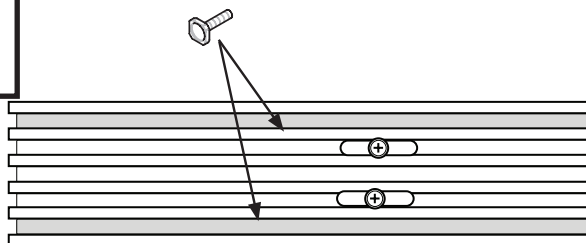
Repeat **Steps 1-4** for passenger side first and fourth bracket fitment.



7



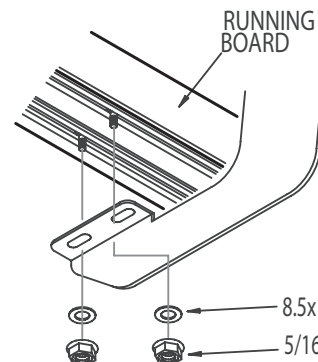
Install square bolts into the shaded outer channels. Four (4) per channel to attach boards to brackets.



8



Attach boards to brackets.



9

## Care and Cleaning

- Wash only with mild soap & dry with a clean cloth.

## Congratulations!

You have purchased one of the many quality Lund<sup>®</sup> branded products offered by Lund International, Inc. We take the utmost pride in our products and want you to enjoy years of satisfaction from your investment. We have made every effort to ensure that your product is top quality in terms of fit, durability, finish and ease of installation.

