

Care and Cleaning

1. Periodically wipe any debris off of tailgate seal to prevent abrasion of paint on tailgate, particularly after any bulk hauling of items such as dirt, mulch, sand, rocks, yard waste, etc.
2. Check tailgate seal for accumulation of debris frequently if the vehicle is driven without a bed cover or topper. Clean frequently if necessary.

Congratulations!

You have purchased one of the many quality Lund® branded products offered by Lund International, Inc.

We take the utmost pride in our products and want you to enjoy years of satisfaction from your investment.

We have made every effort to ensure that your product is top quality in terms of fit, durability, finish and ease of installation.



Tailgate Seal

For proper installation and best possible fit, please read all instructions BEFORE you begin.

Contents



(A) Tailgate Seal



(B) Alcohol Wipe

Tools Required



Important WARNING

- Serious injury and property damage can occur to you and others if you fail to follow your vehicle owner's manual for the removal of the tailgate and the re-installation of the tailgate, if the tailgate needs to be removed to install the Tailgate Seal.
- The tailgate of your vehicle, if properly re-installed, serves to partially contain cargo in the pick-up truck bed.
- If you do not understand the vehicle owner's manual on the removal of the tailgate or re-installation of the tailgate on your vehicle, you must take it to an authorized dealer for installation of the Tailgate Seal and re-installation of the vehicle tailgate.
- Do not use the pick-up truck bed if you cannot properly re-install the tailgate of your vehicle after you have removed it to install the Tailgate Seal.

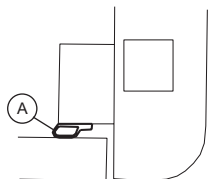
Preparation Before Installation

- Install Tailgate Seal when the temperature is at least 60° (15°C).
- Thoroughly wash bed surfaces that the tailgate seal will be applied to.
- Be sure to completely dry the washed surfaces before installing the tailgate seal.

Installation Steps

PN 30002
Universal

You may wish to do a test on your pickup box. Cut a piece of tailgate seal about 2" long and apply it to the side jamb. Now close the tailgate and inspect the compressed seal as shown. The test piece can be removed and repositioned until you find the most suitable position. Use this information as reference for step 4.



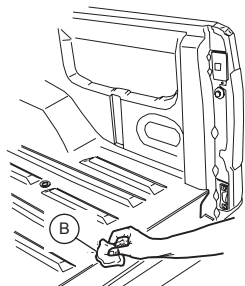
Due to the variety of bed and tailgate designs, your application may differ slightly from these instructions.

1

Using the supplied alcohol wipes, clean the surfaces where the tailgate seal will be applied and let dry. Make sure clean surfaces do not become contaminated before applying tailgate seal.

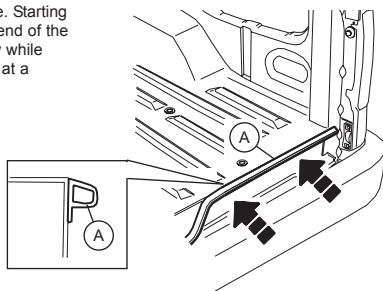


Warning: When necessary, remove tailgate from truck bed. Refer to vehicle owners manual for proper procedure and "Important" section of these instructions.



2

Begin applying tailgate seal across the truck bed's floor edge. Starting at either side, remove enough adhesive backing on leading end of the tailgate seal and align it flush with the bed floor. Press firmly while guiding the tailgate seal in a straight line. Do a short section at a time, avoid touching the adhesive while adhering.



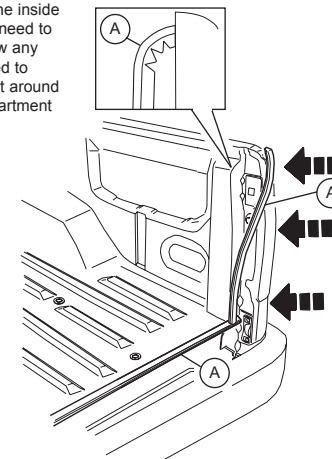
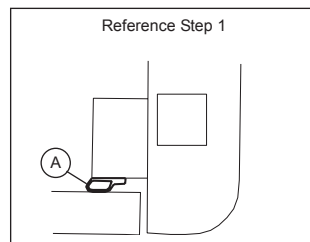
3

PAGE 2 of 4

Installation Steps

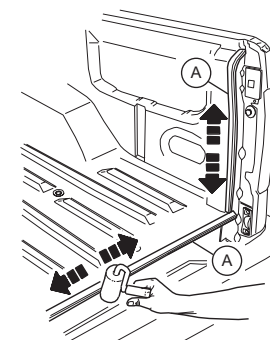
PN 30002
Universal

Beginning at the bottom of the side jambs and working up, position the tailgate seal so that the adhesion edge is aligned near the inside corner edges of the jambs. On some applications, you may need to make "V" cuts in the tailgate seal's flat section so it will follow any curves in the jamb. Also on some applications, you may need to remove the OEM rubber stops or notch the tailgate seal to fit around them. If removal is necessary, store them in the glove compartment for safe keeping.



4

Using a small hand roller apply moderate pressure while rolling back and forth over all of the installed tailgate seal. Now close tailgate. It should close tight. After several days the seal will conform to the shape of the tailgate allowing it to open and close easily.



Warning: If necessary, reinstall tailgate and lubricate latches after rolling the tailgate seal. Refer to vehicle owners manual for proper procedure and "Important" section of these instructions.

5

PAGE 3 of 4