

Installation Instructions

LUND[®]

Premium Style. Lasting Performance.

Care and Cleaning

- Wash only with mild soap and dry with a clean cloth.
- Every 3 months or 5000 miles check for loose hardware and tighten as necessary.

Congratulations!

You have purchased one of the many quality Lund[®] branded products offered by Lund International. We take the utmost pride in our products and want you to enjoy years of satisfaction from your investment. We have made every effort to ensure that your product is top quality in terms of fit, durability, finish and ease of installation.

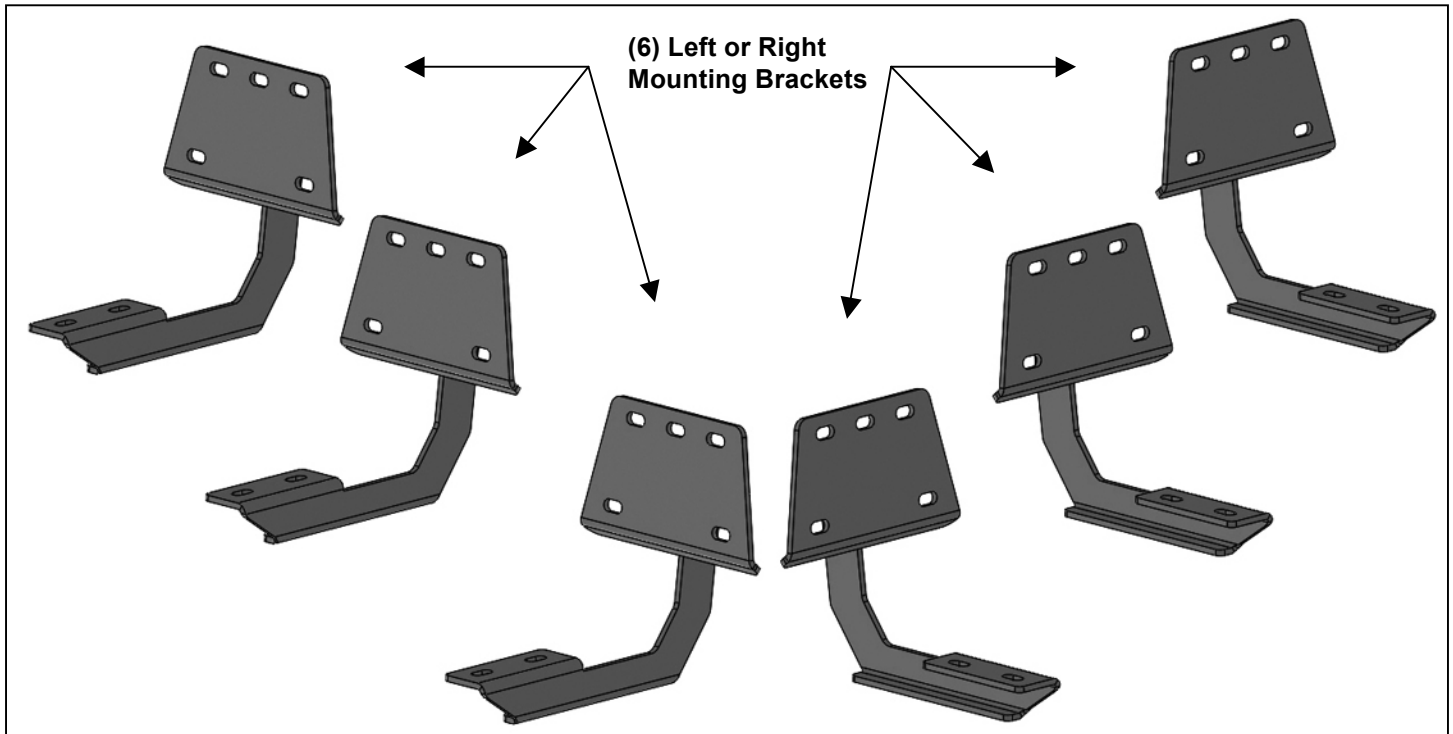
Recycle

The material that your product is made from can be recycled. Please also consider recycling the packaging that your product came in.

**SUMMIT RIDGE 2.0 RUNNING BOARDS
2019 RAM 1500 CREW/QUAD CAB**

PARTS LIST:

2	Summit Ridge 2.0 Running Boards	30	8mm x 24mm x 2mm Flat Washers
6	Universal Mounting Brackets (left or right)	30	8-1.25mm Nylon Lock Nuts
6	8-1.25mm Double Bolt Plates		



PROCEDURE:

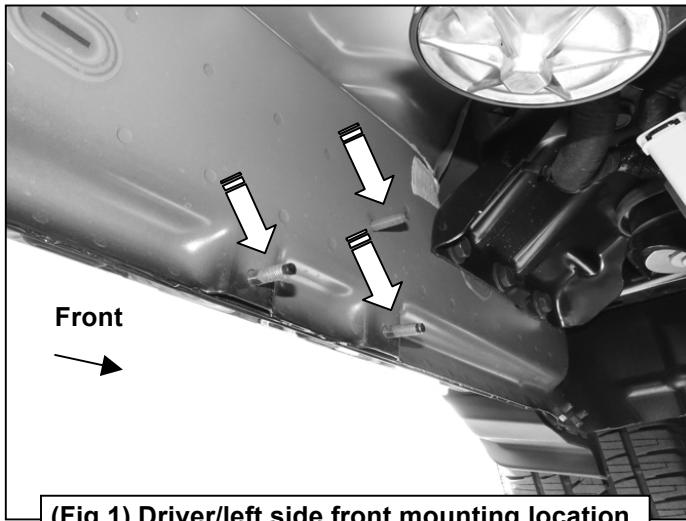
REMOVE CONTENTS FROM BOX. VERIFY ALL PARTS ARE PRESENT. READ INSTRUCTIONS CAREFULLY BEFORE STARTING INSTALLATION. ASSISTANCE IS RECOMMENDED.

1. Start the installation under the driver side of the vehicle. Locate the front (3) factory studs along the inner side of the body panel, **(Figure 1)**. **NOTE:** Use a wire brush or die to remove paint buildup on the threaded studs.
2. Select (1) Mounting Bracket. **NOTE:** All (6) Brackets are universal and will fit left or right side. Attach the Mounting Bracket to the (3) factory studs with (3) 8mm Flat Washers and (3) 8mm Nylon Lock Nuts, **(Figure 2)**. Leave brackets loose at this time.
3. Repeat **Steps 1 & 2** to install the universal brackets in the center and rear mounting locations along the body panel, **(Figures 3 & 4)**.
4. Carefully unwrap and select (1) Running Board. Place the running board on top of the brackets. **IMPORTANT:** Do not slide, (front to back), the running board on the brackets or damage to the finish may result. Locate the channel opening in the bottom of the running board. Select (3) 8mm Double Bolt Plates, **(Figure 5)**. Insert the bolt plates into the channel in the bottom of the running board closest to the brackets, **(Figure 6)**. Lift the running board up and guide the studs through the brackets.
5. Attach the running board to the brackets with (6) 8mm Flat Washers and (6) 8mm Nylon Lock Nuts, **(Figures 7 & 8)**.
6. Level and adjust the running board as necessary and fully tighten all hardware.
7. Repeat **Steps 1—6** to install the remaining running board on the passenger/right side.
8. Do periodic inspections to the installation to make sure that all hardware is secure and tight.

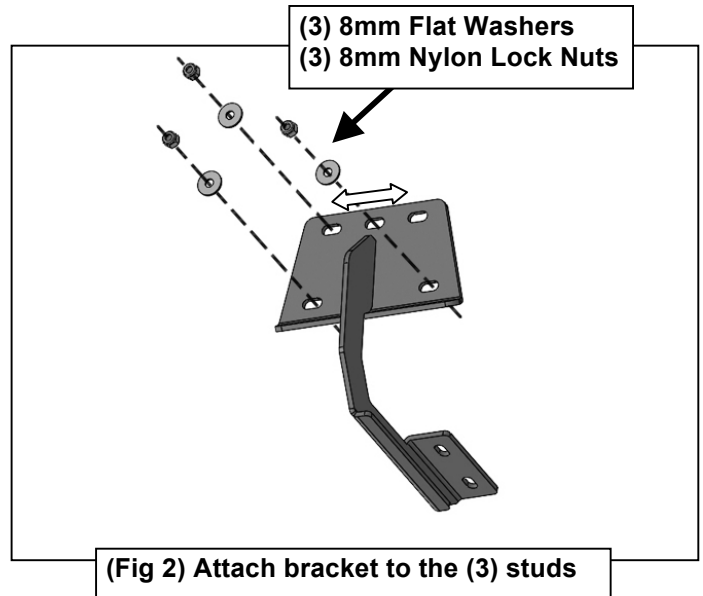
**SUMMIT RIDGE 2.0 RUNNING BOARDS
2019 RAM 1500 CREW/QUAD CAB**

To protect your investment, wax this product after installing. Regular waxing is recommended to add a protective layer over the finish. Do not use any type of polish or wax that may contain abrasives that could damage the finish. Mild soap may be used also to clean the running board.

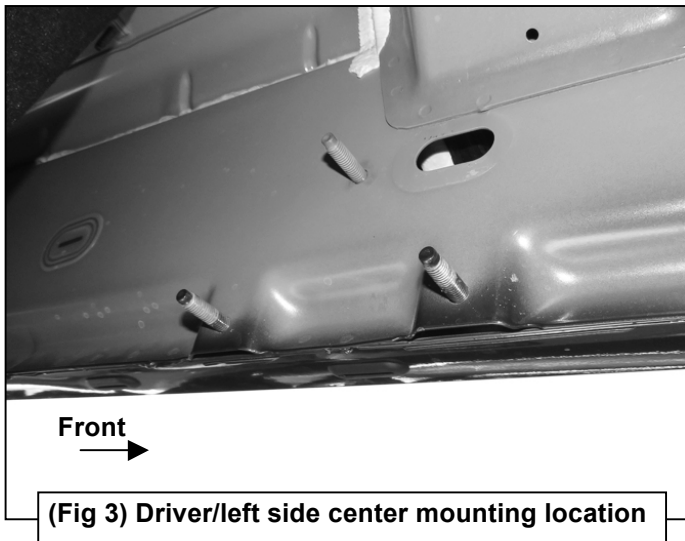
Driver/left Side Installation Pictured



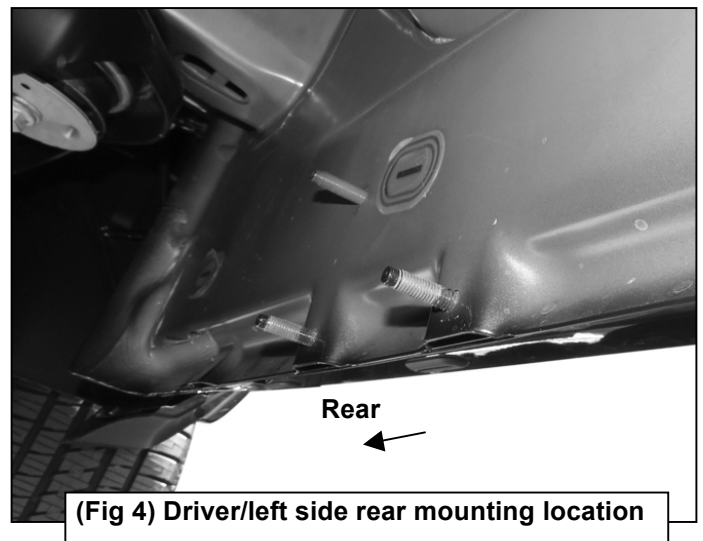
(Fig 1) Driver/left side front mounting location



(Fig 2) Attach bracket to the (3) studs



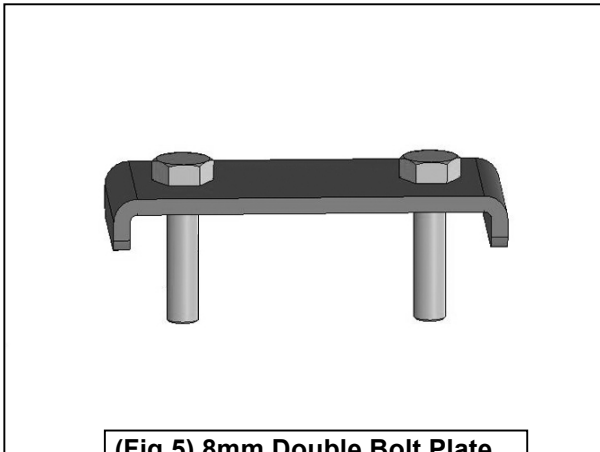
(Fig 3) Driver/left side center mounting location



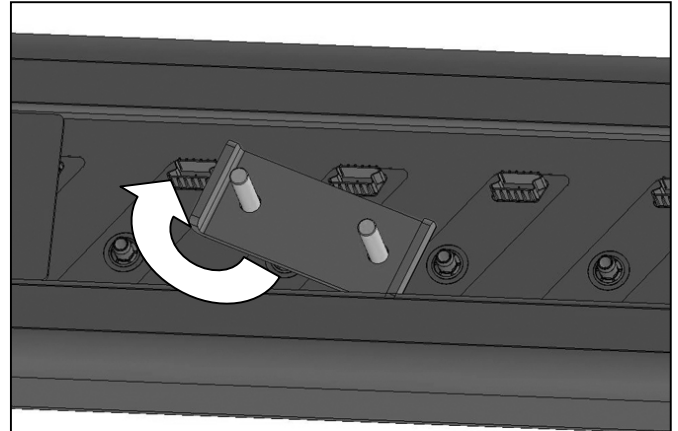
(Fig 4) Driver/left side rear mounting location

**SUMMIT RIDGE 2.0 RUNNING BOARDS
2019 RAM 1500 CREW/QUAD CAB**

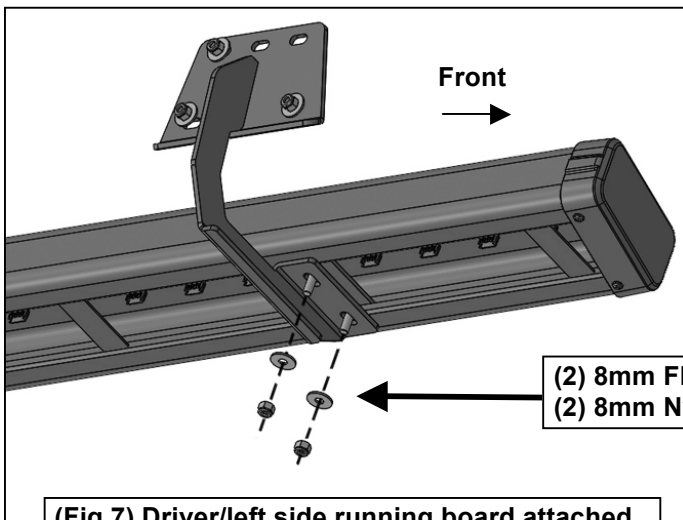
Driver/left Side Installation Pictured



(Fig 5) 8mm Double Bolt Plate

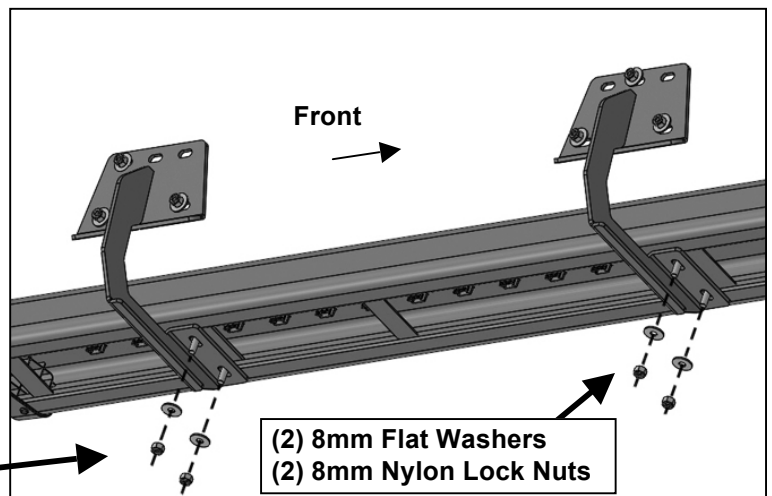


(Fig 6) Slide 8mm Double Bolt Plate into channel



- (2) 8mm Flat Washers**
- (2) 8mm Nylon Lock Nuts**

(Fig 7) Driver/left side running board attached to mounting bracket at the front location



- (2) 8mm Flat Washers**
- (2) 8mm Nylon Lock Nuts**

- (2) 8mm Flat Washers**
- (2) 8mm Nylon Lock Nuts**

(Fig 8) Driver/left side running board attached to mounting brackets at the center and rear locations