

Installation Instructions

I - Sheet Number LUNDSR208

LUND[®]

Premium Style. Lasting Performance.

For proper installation and best possible fit, please read all instructions BEFORE you begin.

Care and Cleaning

- Wash only with mild soap and dry with a clean cloth.
- Every 3 months or 5000 miles check for loose hardware and tighten as necessary.

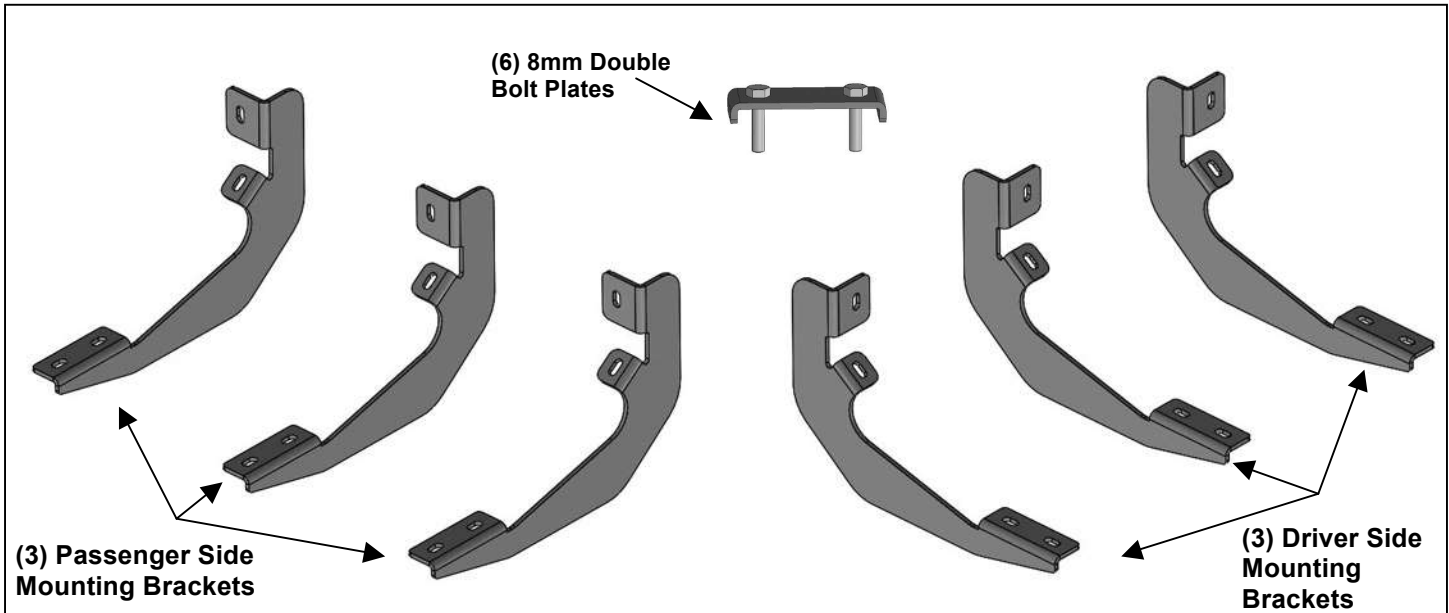
Congratulations!

You have purchased one of the many quality Lund[®] branded products offered by Lund International, Inc. We take the utmost pride in our products and want you to enjoy years of satisfaction from your investment. We have made every effort to ensure that your product is top quality in terms of fit, durability, finish and ease of installation.

SR2 RUNNING BOARD
04-15, 17 NISSAN TITAN AND 16-17 NISSAN TITAN XD CREW CAB

PARTS LIST:

2	SR2 Running Boards	24	8mm x 24mm x 2mm Flat Washers
3	Driver/Left Side Mounting Brackets	12	8mm Lock Washers
3	Passenger/Right Side Mounting Brackets	18	8mm Nylon Lock Nuts
12	8mm x 30mm Hex Bolts	6	8mm Double Bolt Plates



PROCEDURE:

1. REMOVE CONTENTS FROM BOX. VERIFY ALL PARTS ARE PRESENT. READ INSTRUCTIONS CAREFULLY BEFORE STARTING INSTALLATION.
2. Start installation at the front of the driver side of the vehicle and locate the factory threaded holes or stud located on the side of the inner body panel, **(Figures 1—2)**. **NOTE:** Remove the plastic plug or any insulation on the side panel to locate the threaded holes.
3. Select (1) driver side Mounting Bracket. Attach the Bracket to the mounting location with:
 - a. **Models with threaded stud:** Attach Bracket to stud with (1) 8mm x 24mm Flat Washer and (1) 8mm Nylon Lock Nut. Next, insert (1) 8mm x 30mm Hex Bolt with (1) 8mm Lock Washer and (1) 8mm x 24mm Flat Washer through the remaining lower hole in the Bracket and into the threaded hole, **(Figures 1 & 3)**. Do not tighten hardware at this time.
 - b. **Models without threaded stud:** Attach Bracket to the upper threaded hole with (1) 8mm x 24mm Flat Washer, (1) 8mm Lock Washer and (1) 8mm x 30mm Hex Bolt. Attach Bracket to the lower threaded hole with (1) 8mm x 16mm Small Flat Washer, (1) 8mm Lock Washer and (1) 8mm Hex Bolt, **(Figure 2 & 3)**. Do not tighten hardware at this time.
4. There are (4) mounting locations along the body panel. Bracket installation will use the 1st, 2nd and 4th mounting locations. Repeat the appropriate **Steps 2 & 3** to install the center and rear Mounting Brackets, **(Figures 4 — 6)**. **NOTE:** The cradles on the Mounting Brackets should be facing the rear of the vehicle when properly installed.
5. Select (1) Running Board. Place the Running Board on top of the Brackets. Locate the channels in the bottom of the Running Board. Select (3) 8mm Double Bolt Plates, **(Figure 7)**. Insert the Bolt Plates into the channels in the bottom of the Running Board closest to the Brackets, **(Figure 8)**. Lift the Running Board up and guide the studs through the Brackets.
6. Attach the Running Board to the Brackets with (6) 8mm Flat Washers and (6) 8mm Nylon Lock Nuts, **(Figures 9 — 11)**. Do not tighten hardware at this time.

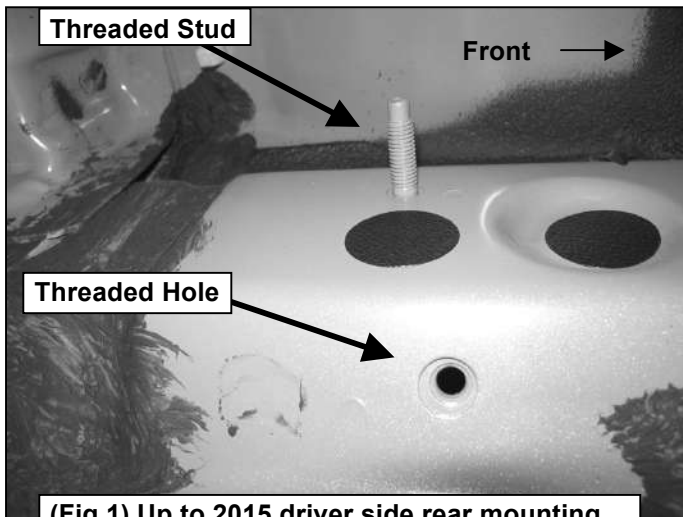
SR2 RUNNING BOARD

04-15, 17 NISSAN TITAN AND 16-17 NISSAN TITAN XD CREW CAB

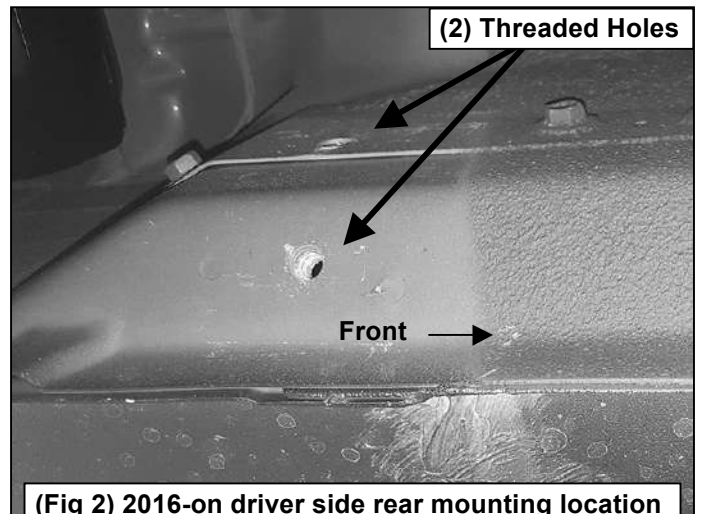
7. Level and adjust the Running Board and tighten all hardware at this time.
8. Repeat **Steps 2—7** for Running Board installation on the passenger side.
9. Do periodic inspections of the installation to make sure that all hardware is secure and tight.

To protect your investment, wax this product after installing. Regular waxing is recommended to add a protective layer over the finish. Do not use any type of polish or wax that may contain abrasives that could damage the finish. Mild soap may be used to clean the Running Board.

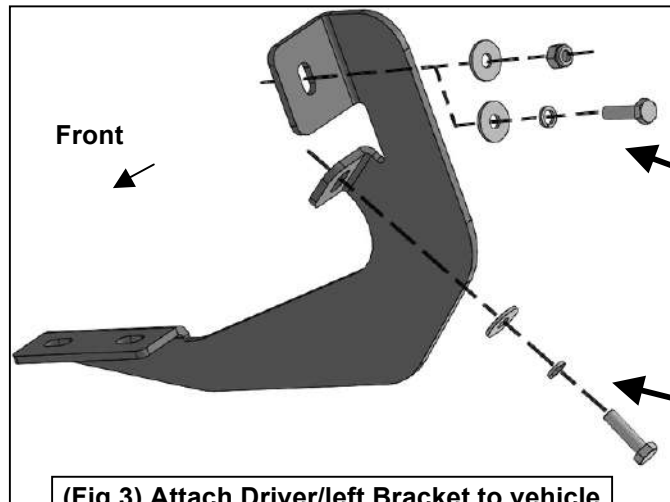
Driver/Left Side Installation Pictured



(Fig 1) Up to 2015 driver side rear mounting location pictured. Note: Remove plastic plugs to locate factory threaded holes



(Fig 2) 2016-on driver side rear mounting location pictured. Note: two factory threaded holes only

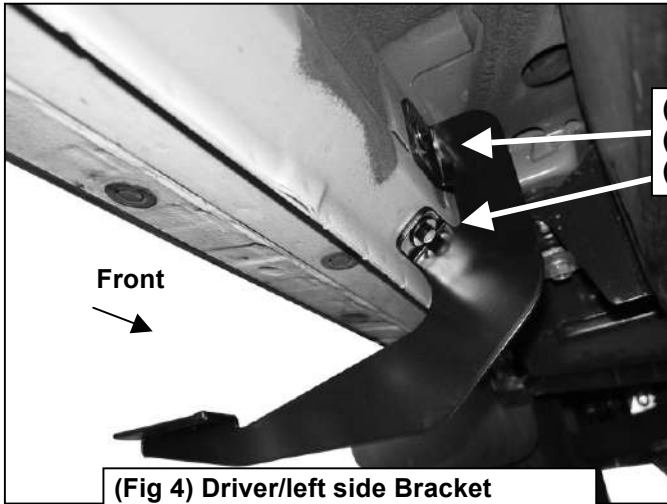


(Fig 3) Attach Driver/left Bracket to vehicle

8mm x 30mm Hex Bolt
8mm Lock Washer
8mm x 24mm Flat Washer
Or
8mm x 24mm Flat Washer
8mm Nylon Lock Nut

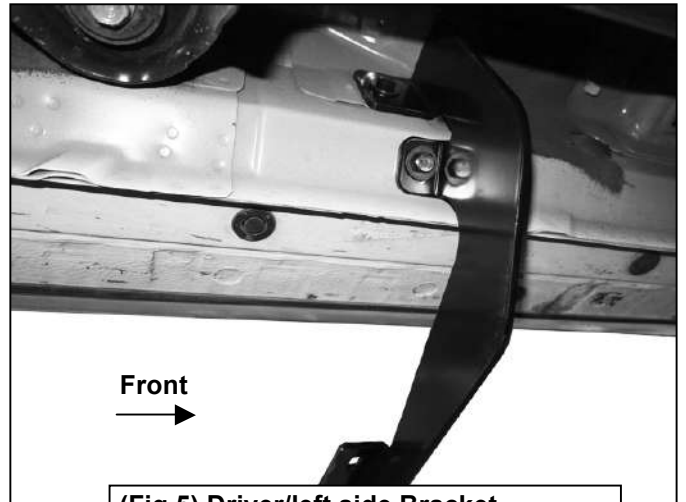
8mm x 30mm Hex Bolt
8mm Lock Washer
8mm x 24mm Flat Washer

SR2 RUNNING BOARD
04-15, 17 NISSAN TITAN AND 16-17 NISSAN TITAN XD CREW CAB
Driver/Left Side Installation Pictured

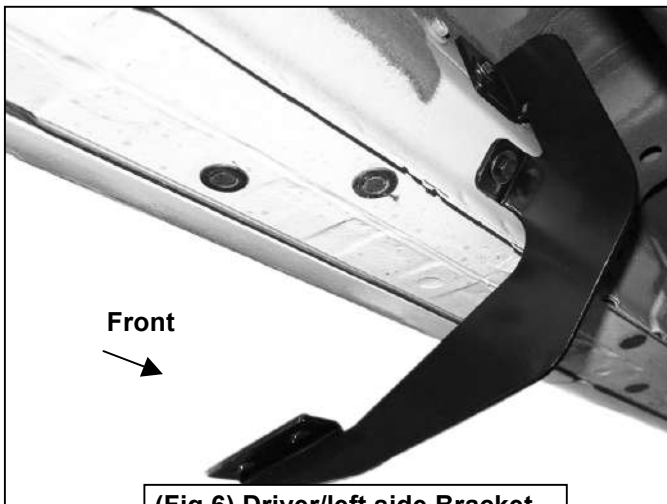


- (2) 8mm x 30mm Hex Bolts
- (2) 8mm Lock Washers
- (2) 8mm x 24mm Flat Washers

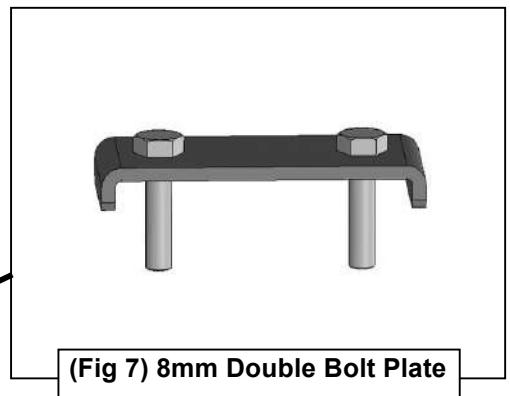
(Fig 4) Driver/left side Bracket attached to front side of body panel



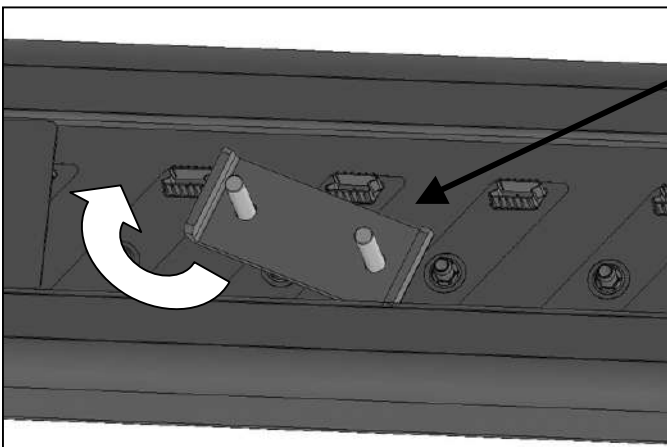
(Fig 5) Driver/left side Bracket attached to center side of body panel



(Fig 6) Driver/left side Bracket attached to rear of body panel

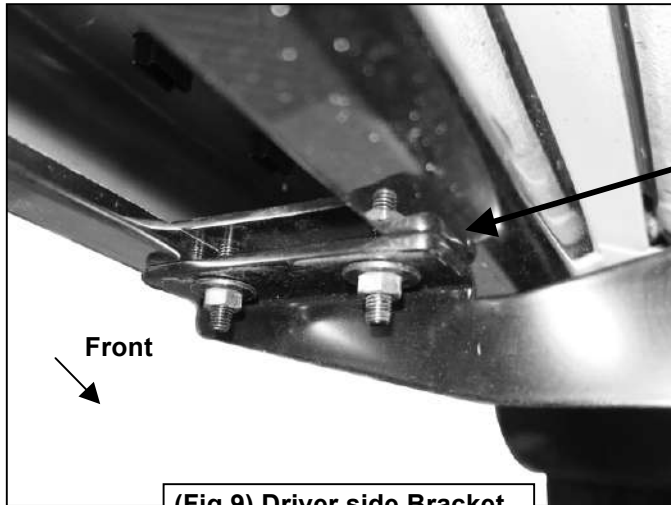


(Fig 7) 8mm Double Bolt Plate



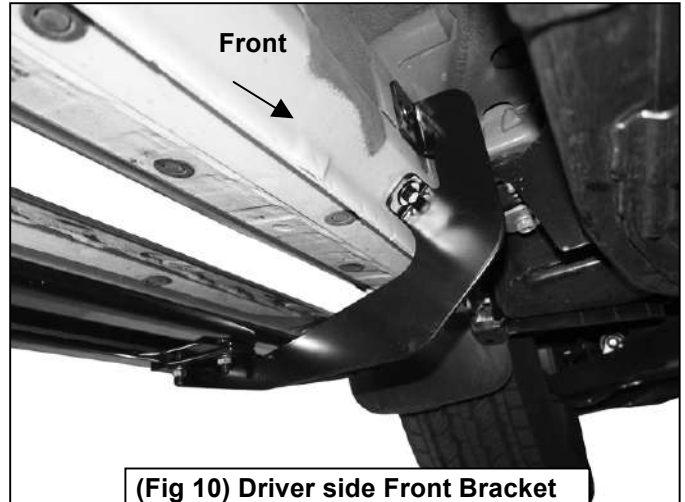
(Fig 8) Slide 8mm Double Bolt Plate into channel

SR2 RUNNING BOARD
04-15, 17 NISSAN TITAN AND 16-17 NISSAN TITAN XD CREW CAB
Driver/Left Side Installation Pictured

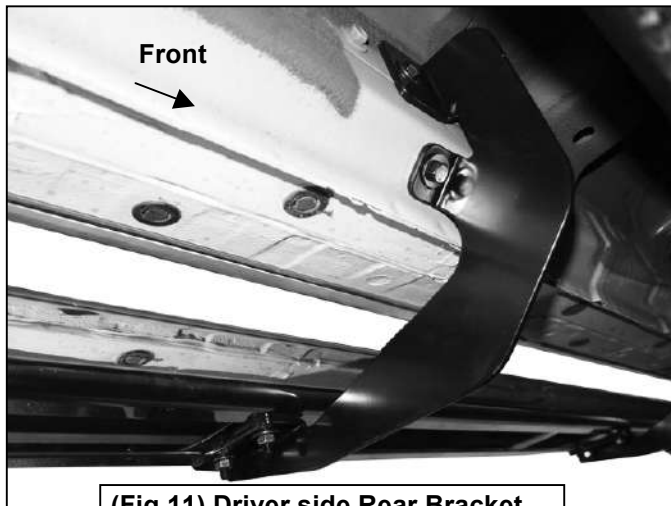


(2) 8mm Flat Washers
(2) 8mm Nylon Lock Nuts

(Fig 9) Driver side Bracket attached to Running Board



(Fig 10) Driver side Front Bracket attached to Running Board



(Fig 11) Driver side Rear Bracket attached to Running Board

