

# Installation Instructions

I - Sheet Number LUNDSR213

# **LUND**<sup>®</sup>

Premium Style. Lasting Performance.

For proper installation and best possible fit, please read all instructions BEFORE you begin.

## Care and Cleaning

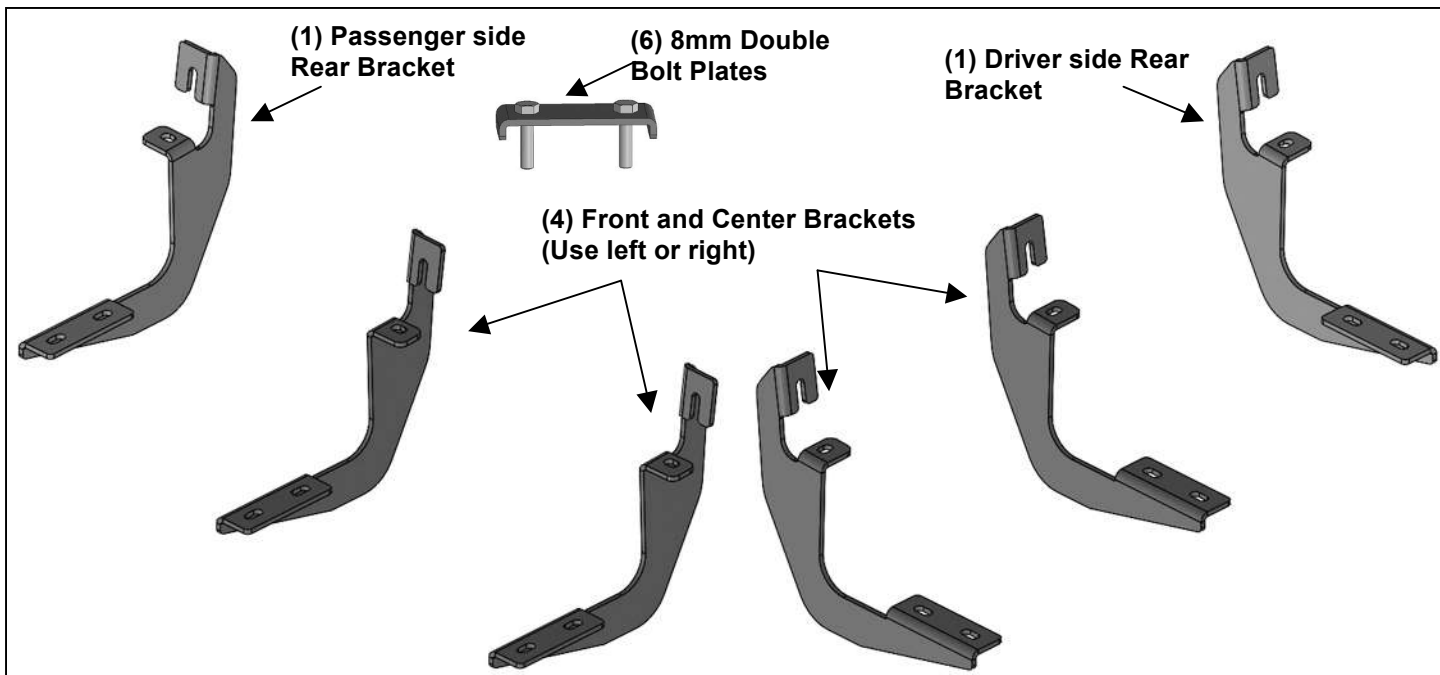
- Wash only with mild soap and dry with a clean cloth.
- Every 3 months or 5000 miles check for loose hardware and tighten as necessary.

## Congratulations!

You have purchased one of the many quality Lund<sup>®</sup> branded products offered by Lund International, Inc. We take the utmost pride in our products and want you to enjoy years of satisfaction from your investment. We have made every effort to ensure that your product is top quality in terms of fit, durability, finish and ease of installation.

**PARTS LIST:**

2	SR2 Running Boards	12	8-1.25mm x 25mm Hex Bolts
4	Front and Center Brackets (use left or right)	24	8mm x 24mm x 2mm Flat Washers
1	Driver/left side Rear Bracket	12	8mm Lock Washers
1	Passenger/right side Rear Bracket	12	8mm Nylon Lock Nuts
12	8-1.25mm Clip-On Nuts	6	8mm Double Bolt Plates



**PROCEDURE:**

**REMOVE CONTENTS FROM BOX. VERIFY ALL PARTS ARE PRESENT. READ INSTRUCTIONS CAREFULLY BEFORE STARTING INSTALLATION. ASSISTANCE IS RECOMMENDED.**

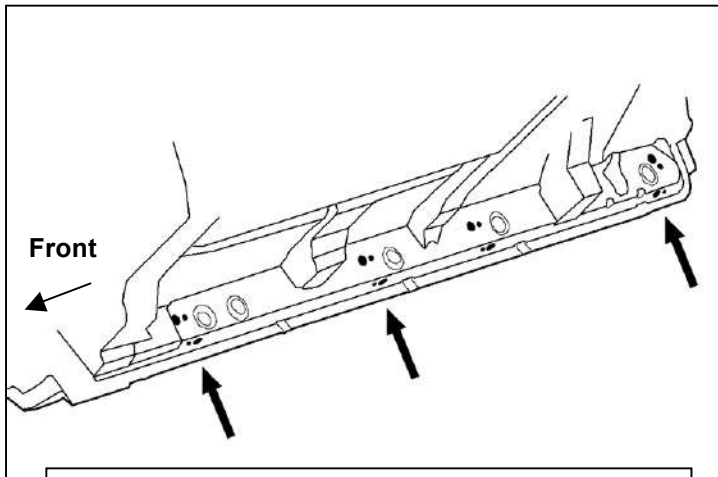
1. Start the installation under the passenger side of the vehicle. Locate the (4) factory running board mounting locations along the bottom and inner side of the body, **(Figure 1)**. Mounting Brackets will bolt to the 1st, 2nd and 4th mounting locations. **NOTE:** It may help to hold a Bracket up in place to help determine the mounting holes to use along the bottom and inner side of the body.
2. Remove rubber plugs as necessary from the (2) factory mounting holes, **(Figure 2)**. Select (1) 8mm Clip Nut. Slide the Clip Nut into the large hole and over the smaller hole next to it. Line up threaded nut on the Clip Nut with smaller hole in body panel, **(Figure 3)**. Repeat to install a 2nd Clip Nut in the remaining front mounting hole.
3. Select (1) Front/Center Bracket. **IMPORTANT:** Use the illustration above and **Figure 4** to help determine the correct Bracket. Attach the Bracket to the (2) Clip Nuts with (2) 8mm Hex Bolts, (2) 8mm Lock Washers and (2) 8mm Flat Washers, **(Figures 4 & 5)**. Snug but do not fully tighten the hardware.
4. Move along to the 2nd mounting location, **(Figures 1 & 2)**. Repeat **Steps 2 & 3** to install (1) Front/Center Bracket on the center location.
5. Continue to the last mounting location, **(Figures 1 & 6)**. Repeat **Step 2** to install (2) 8mm Clip Nuts, **(Figure 6)**. Next, select the Passenger side Rear Bracket, **(Figure 7)**. **IMPORTANT:** Use the illustration above and **Figure 7** to help determine the correct Bracket. Attach the Bracket to the (2) Clip Nuts using (2) 8mm Hex Bolts, (2) 8mm Lock Washers and (2) 8mm Flat Washers.
6. Select (1) Running Board. Place the Running Board on top of the Brackets. Locate the channels in the bottom of the Running Board. Select (3) 8mm Double Bolt Plates, **(Figure 8)**.

Insert the Bolt Plates into the channels in the bottom of the Running Board closest to the Brackets, (**Figure 9**). Lift the Running Board up and guide the studs through the Brackets.

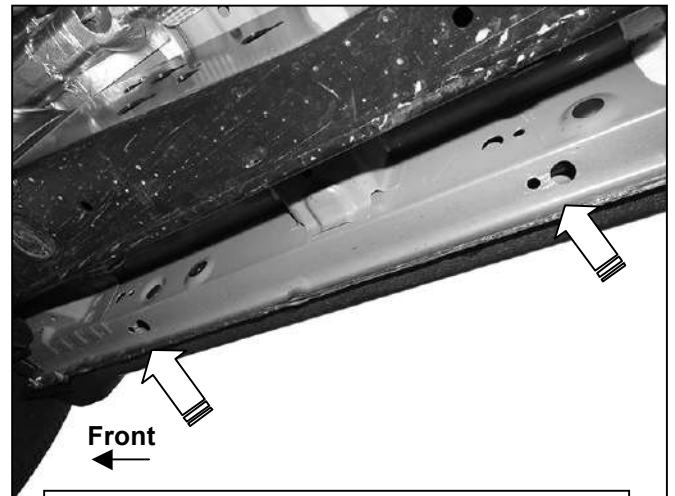
7. Attach the Running Board to the Brackets with (6) 8mm Flat Washers and (6) 8mm Nylon Lock Nuts, (**Figures 10—12**).
8. Properly level and adjust the Running Board and fully tighten all hardware.
9. Repeat **Steps 1—8** to install (1) Running Board on the driver side.
10. Do periodic inspections to the installation to make sure that all hardware is secure and tight.

**To protect your investment**, wax this product after installing. Regular waxing is recommended to add a protective layer over the finish. Do not use any type of polish or wax that may contain abrasives that could damage the finish. Mild soap may be used also to clean the Running Board.

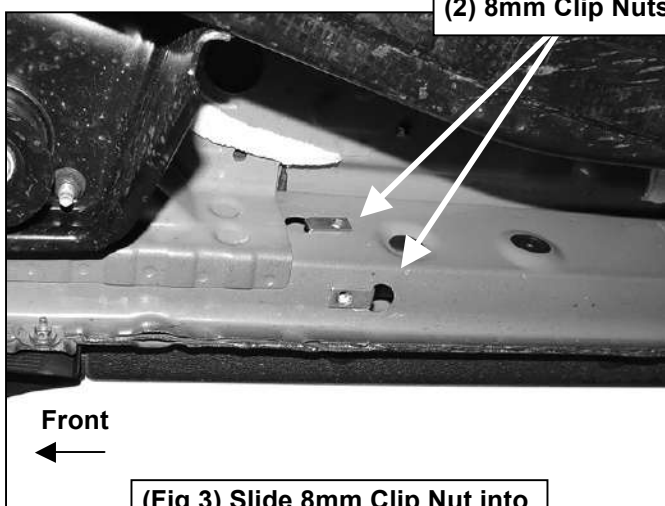
### Passenger/right Side Installation Pictured



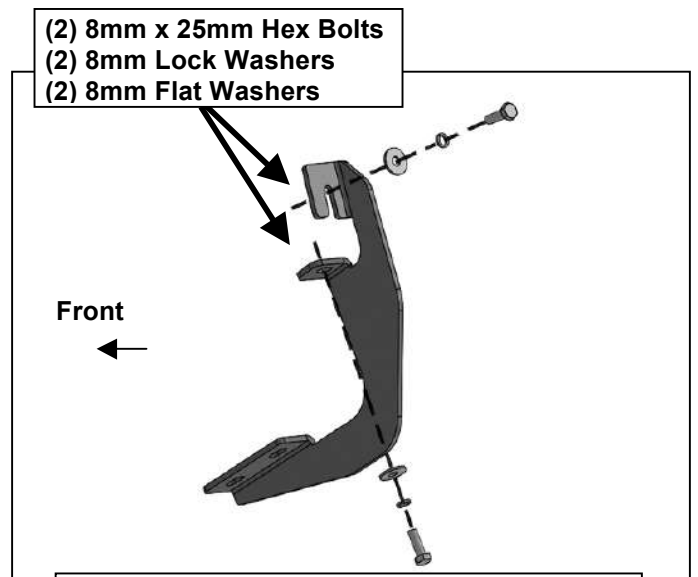
(Fig 1) Passenger side mounting locations along bottom and back of body panel illustrated



(Fig 2) Remove rubber plugs from front and center mounting locations (arrows)

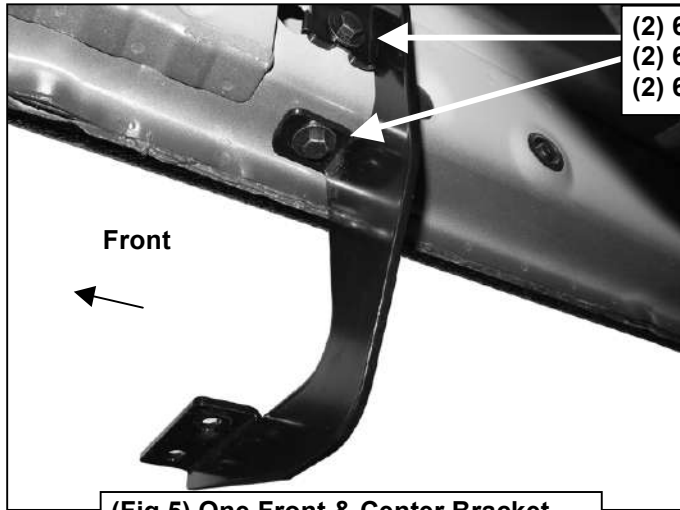


(Fig 3) Slide 8mm Clip Nut into large hole and over small hole

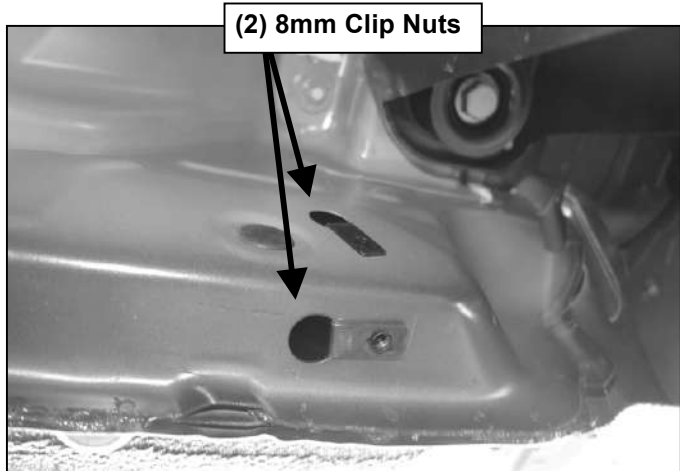


(Fig 4) Front and Center Bracket illustration

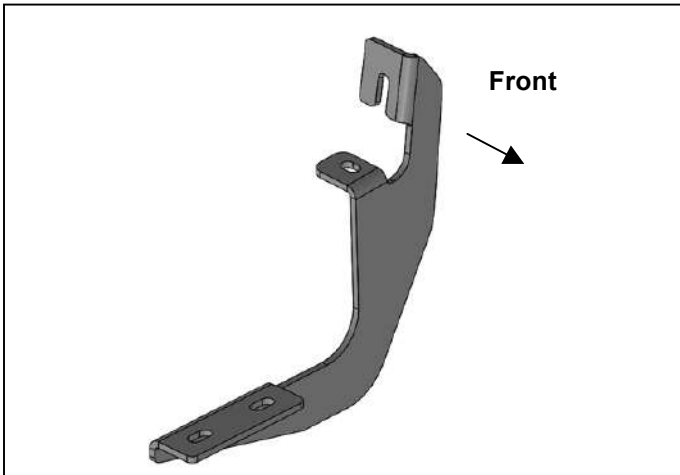
Passenger/right Side Installation Pictured



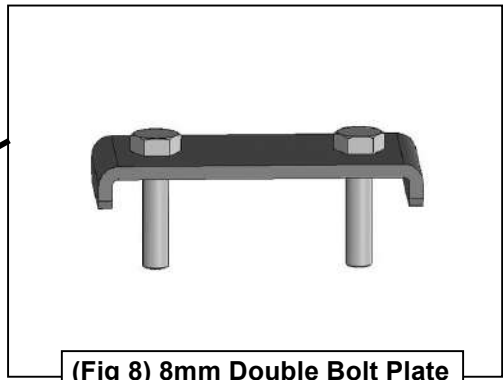
(Fig 5) One Front & Center Bracket installed on passenger front location



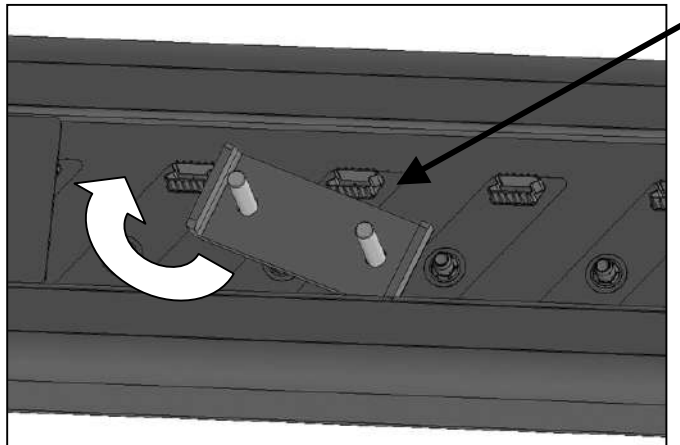
(Fig 6) Passenger side Rear mounting location



(Fig 7) Passenger side Rear Mounting Bracket



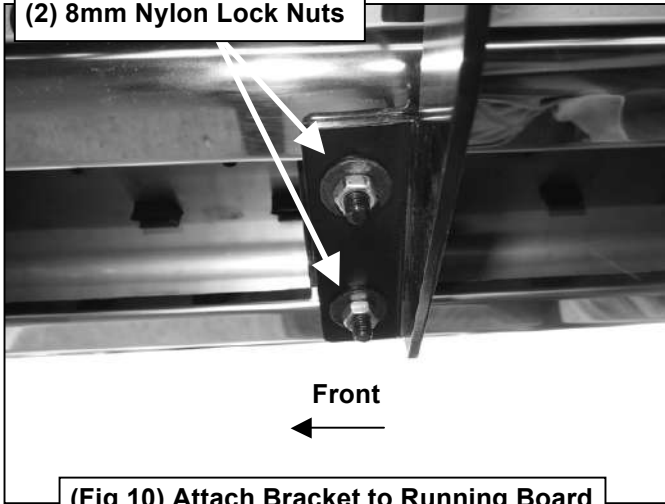
(Fig 8) 8mm Double Bolt Plate



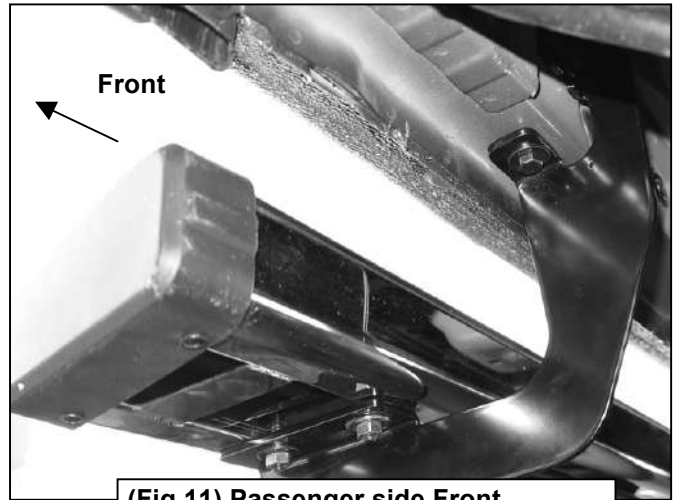
(Fig 9) Slide 8mm Double Bolt Plate into channel

Passenger/right Side Installation Pictured

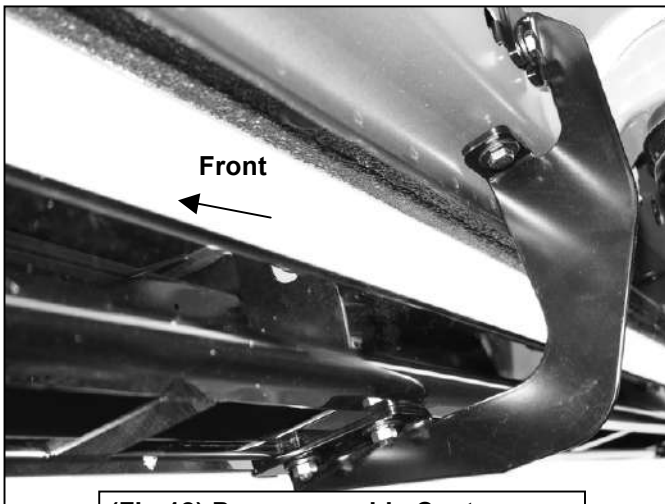
(2) 8mm Flat Washers  
(2) 8mm Nylon Lock Nuts



(Fig 10) Attach Bracket to Running Board



(Fig 11) Passenger side Front Bracket attached to Running Board



(Fig 12) Passenger side Center Bracket attached to Running Board

