

# Installation Instructions

I - Sheet Number LUNDSR204

# **LUND**<sup>®</sup>

Premium Style. Lasting Performance.

For proper installation and best possible fit, please read all instructions BEFORE you begin.

## **Care and Cleaning**

- Wash only with mild soap and dry with a clean cloth.
- Every 3 months or 5000 miles check for loose hardware and tighten as necessary.

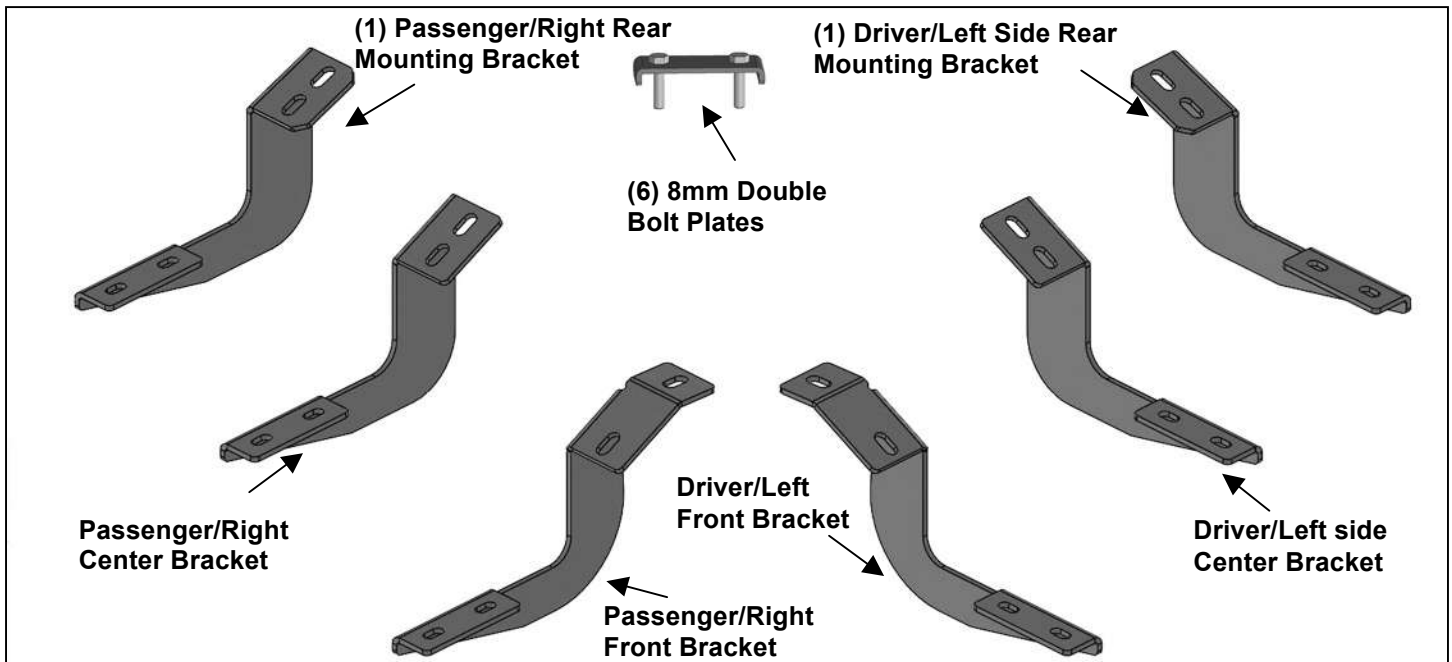
## **Congratulations!**

You have purchased one of the many quality Lund<sup>®</sup> branded products offered by Lund International, Inc. We take the utmost pride in our products and want you to enjoy years of satisfaction from your investment. We have made every effort to ensure that your product is top quality in terms of fit, durability, finish and ease of installation.

**SR2 RUNNING BOARDS  
07-17 TOYOTA TUNDRA DOUBLE CAB**

**PARTS LIST:**

2	SR2 Running Boards	1	Passenger/Right Rear Mounting Bracket
1	Driver/Left Front Mounting Bracket	6	8mm Double Bolt Plates
1	Passenger/Right Front Mounting Bracket	12	8-1.25 x 30mm Hex Bolts
1	Driver/Left Center Mounting Bracket	24	8mm x 24mm Flat Washers
1	Passenger/Right Center Mounting Bracket	12	8mm Lock Washers
1	Driver/Left Rear Mounting Bracket	12	8-1.25mm Nylon Lock Nuts



**PROCEDURE:**

1. REMOVE CONTENTS FROM BOX. VERIFY ALL PARTS ARE PRESENT. READ INSTRUCTIONS CAREFULLY. USE ILLUSTRATION TO IDENTIFY BRACKETS AND RUNNING BOARDS.
2. Starting on the passenger side, front of the vehicle, remove the plastic plugs or hex bolts covering the (2) threaded holes in the body panel, **(Figure 1)**. Select the passenger side Front Mounting Bracket, **(Figure 2)**. Attach the Bracket to the vehicle using the included (2) 8mm Hex Bolts, (2) 8mm Lock Washers and (2) 8mm Flat Washers, **(Figure 3)**. Do not tighten hardware at this time.
3. Next, move to the next (2nd) center mounting location, **(Figure 5)**. **NOTE: Installation will use the 1st, 2<sup>nd</sup> and 4th** mounting locations for the Running Board Brackets.
4. Select the passenger side center Mounting Bracket, **(Figure 4)**. **IMPORTANT:** The Center and Rear Brackets look similar but each one is unique. Use the illustration above and **Figure 4** to help identify each Bracket. Repeat **Step 2** to install the passenger side center Mounting Bracket, **(Figures 6 & 7)**.
5. Continue to the last mounting location at the back of the cab, **(Figure 8)**. Repeat **Step 2** to install the passenger side rear Bracket, **(Figure 9)**. When properly installed, the cradles for the Running Board will face toward the front.
6. Once all (3) Mounting Brackets have been fully installed, carefully unwrap (1) Running Board. Place the Running Board on top of the (3) Mounting Brackets. Locate the channels in the bottom of the Running Board. Select (3) 8mm Double Bolt Plates, **(Figure 10)**. Insert the Bolt Plates into the channels in the bottom of the Running Board closest to the Brackets, **(Figure 11)**. Lift the Running Board up and guide the studs down through the Brackets.

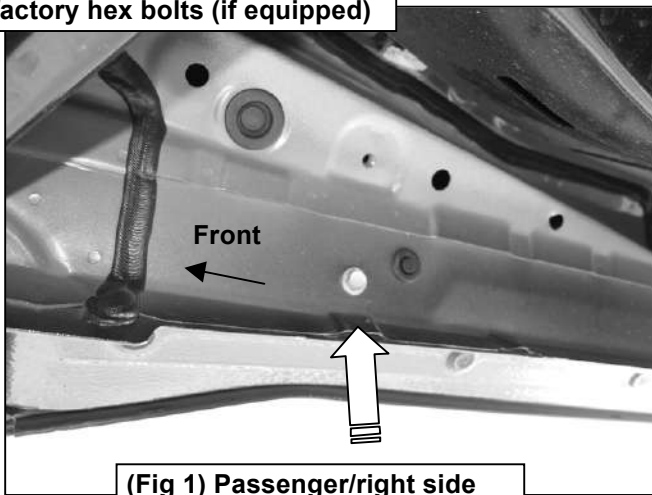
**SR2 RUNNING BOARDS  
07-17 TOYOTA TUNDRA DOUBLE CAB**

7. Attach the Running Board to the Mounting Brackets with the included (6) 8mm Flat Washers and (6) 8mm Nylon Lock Nuts, (**Figures 12—15**). Do not tighten at this time.
8. Level and adjust the Running Board as desired and tighten all hardware.
9. Repeat **Steps 2—8** for driver side Running Board installation.
10. Do periodic inspections to the installation to make sure that all hardware is secure and tight.

**To protect your investment**, wax this product after installing. Regular waxing is recommended to add a protective layer over the finish. Do not use any type of polish or wax that may contain abrasives that could damage the finish. Mild soap may be used to clean the Running Board.

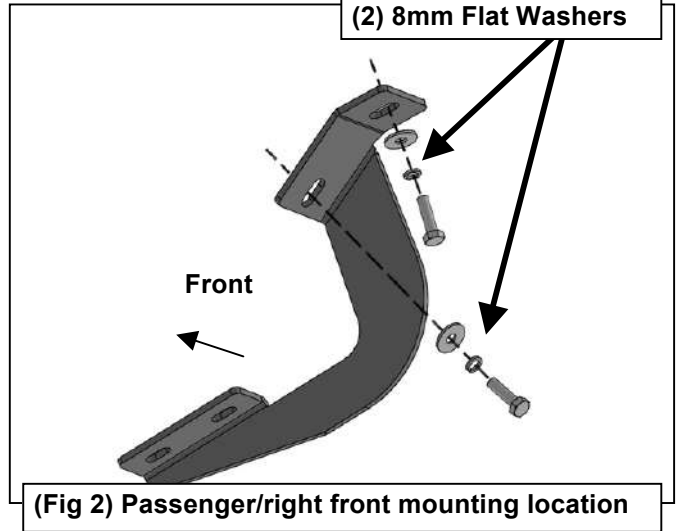
**Passenger Side Installation Pictured**

Remove plastic plugs or factory hex bolts (if equipped)

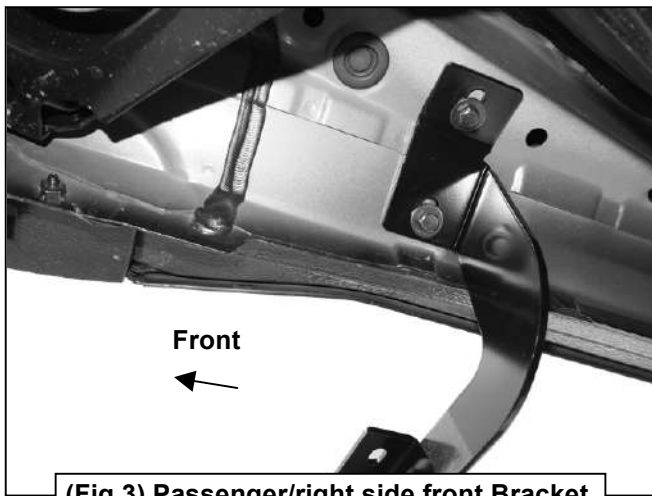


(Fig 1) Passenger/right side front mounting location

(2) 8mm Hex Bolts  
(2) 8mm Lock Washers  
(2) 8mm Flat Washers



(Fig 2) Passenger/right side front mounting location



(Fig 3) Passenger/right side front Bracket

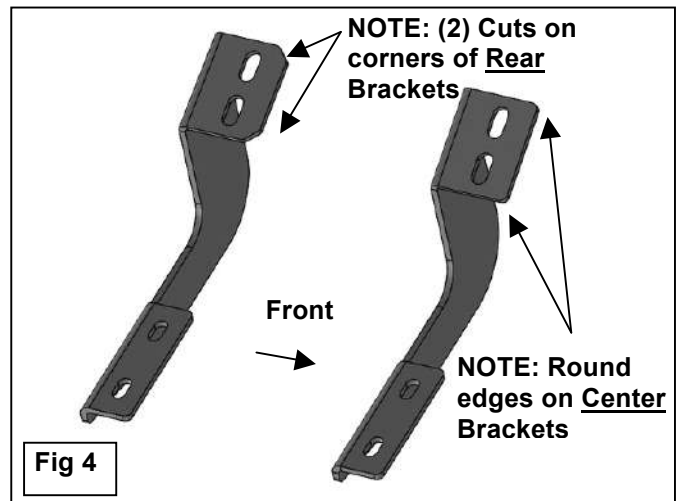
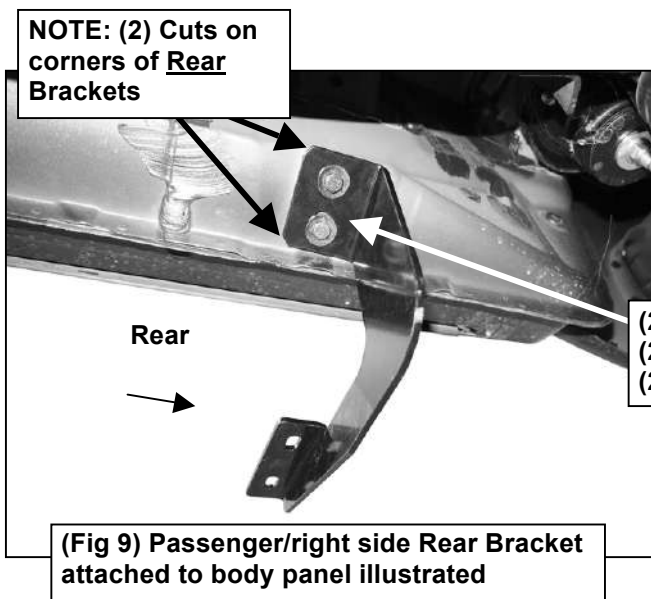
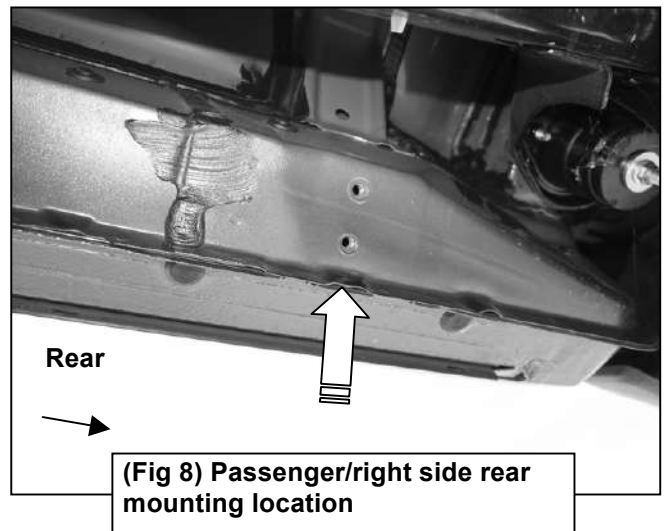
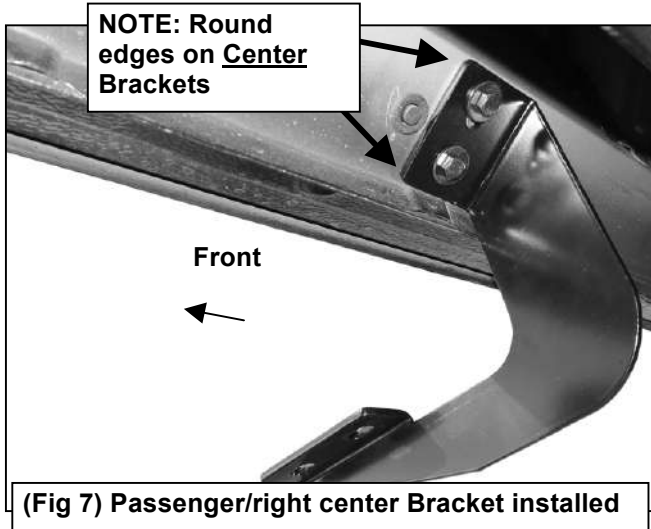
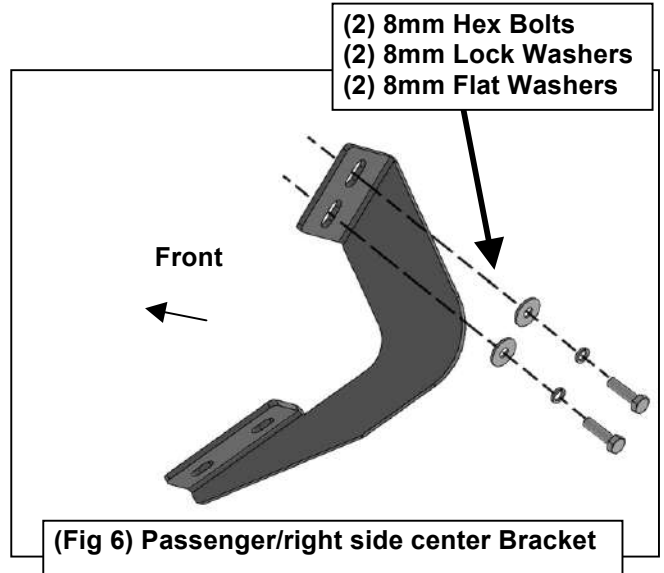
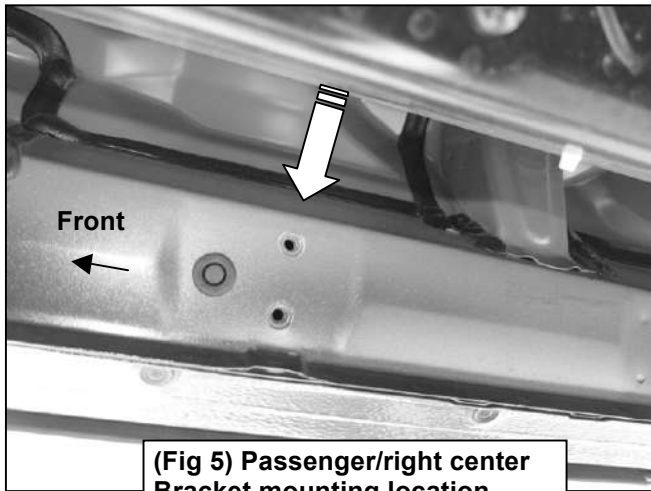
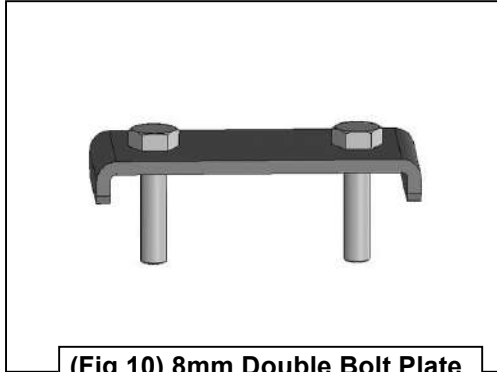


Fig 4

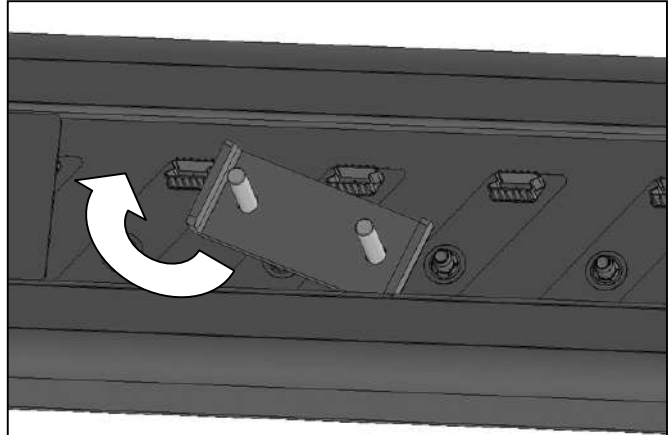
Passenger Side Installation Pictured



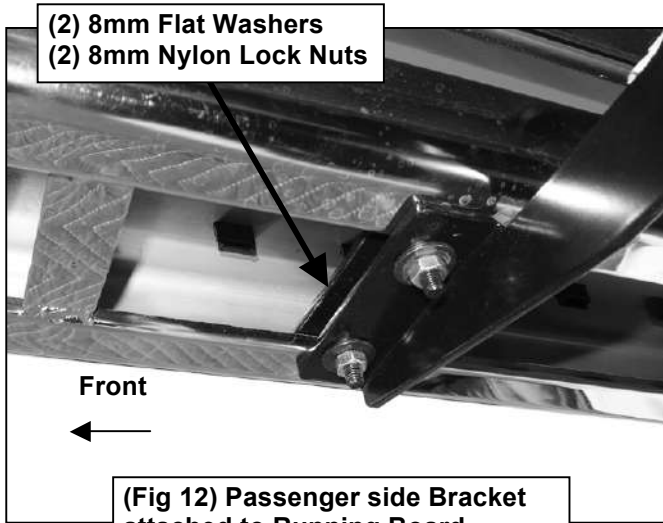
Passenger Side Installation Pictured



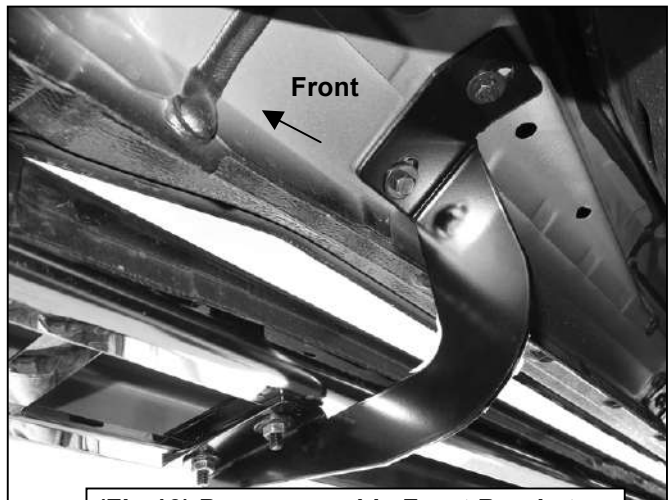
(Fig 10) 8mm Double Bolt Plate



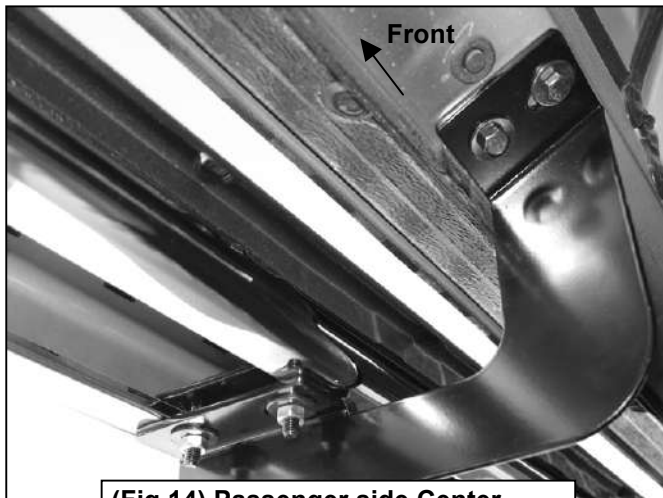
(Fig 11) Slide 8mm Double Bolt Plate into channel



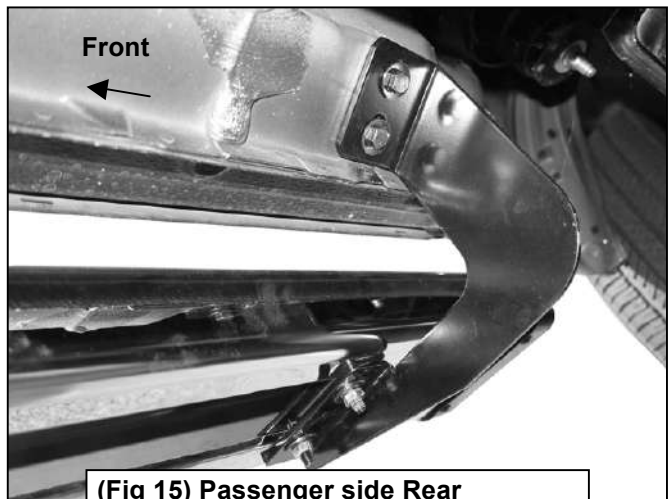
(Fig 12) Passenger side Bracket attached to Running Board



(Fig 13) Passenger side Front Bracket attached to Running Board installed



(Fig 14) Passenger side Center Bracket attached to Running Board



(Fig 15) Passenger side Rear Brackets attached to Running Board