

# Installation Instructions

I - Sheet Number LUNDRB85

# LUND®

Premium Style. Lasting Performance.

For proper installation and best possible fit, please read all instructions BEFORE you begin.

## Care and Cleaning

- Wash only with mild soap and dry with a clean cloth.
- Every 3 months or 5000 miles check for loose hardware and tighten as necessary.

## Congratulations!

You have purchased one of the many quality Lund® branded products offered by Lund International. We take the utmost pride in our products and want you to enjoy years of satisfaction from your investment. We have made every effort to ensure that your product is top quality in terms of fit, durability, finish and ease of installation.

## Recycle

The material that your product is made from can be recycled. Please also consider recycling the packaging that your product came in.

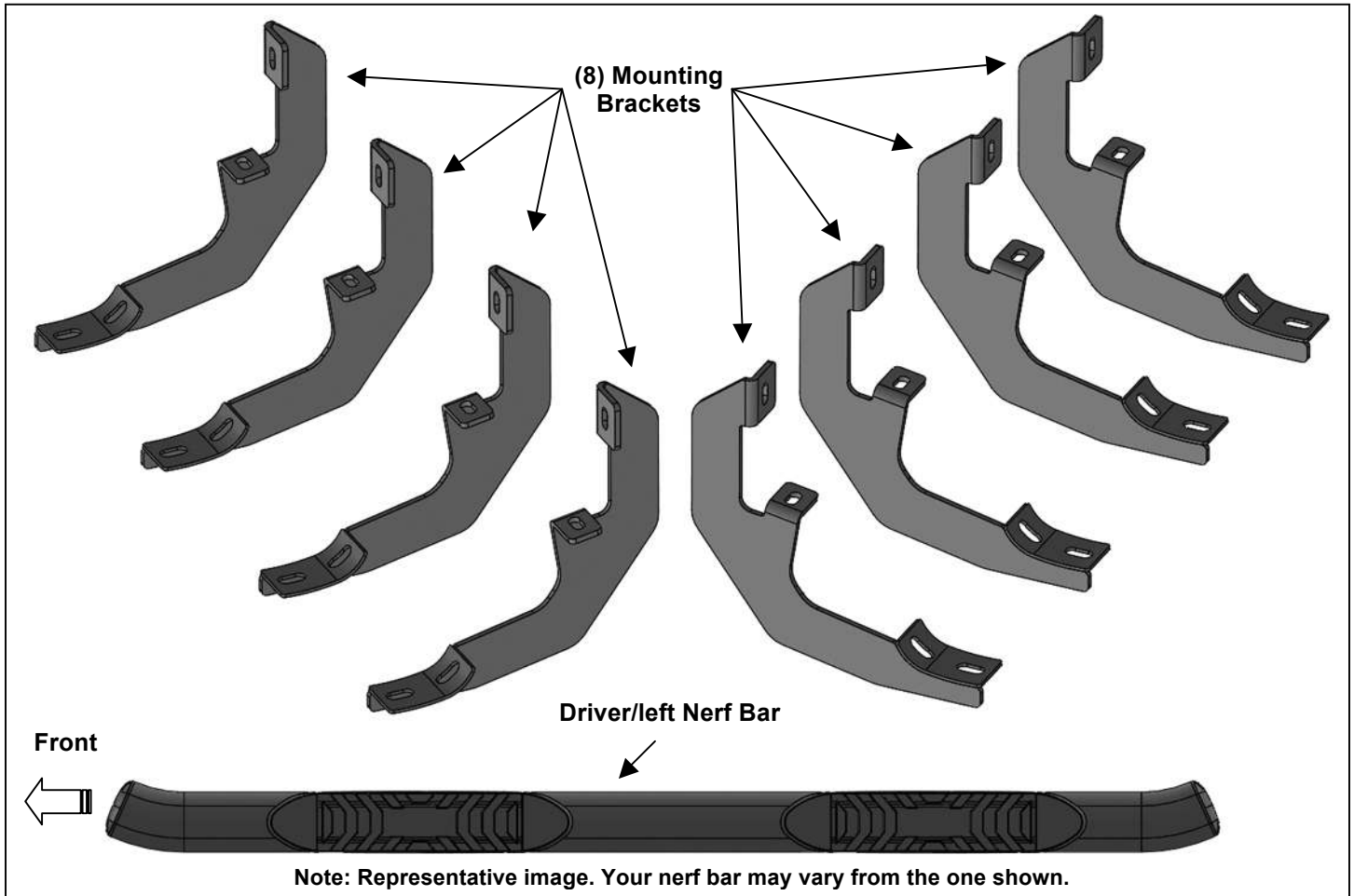


# LUND®

LUND  
INTERNATIONAL

**PARTS LIST:**

1	Driver/left Nerf Bar	16	8-1.25mm x 30mm Hex Bolts
1	Passenger/right Nerf Bar	16	8-1.25mm x 25mm Combo Bolts
8	Mounting Brackets	16	8mm Lock Washers
		16	8mm x 24mm x 2mm Flat Washers



**PROCEDURE:**

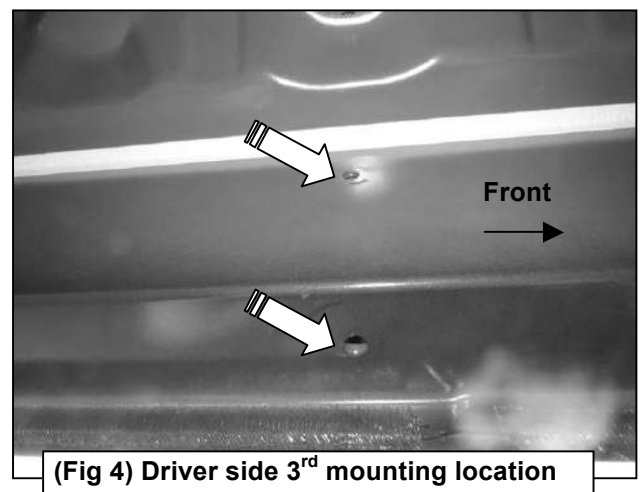
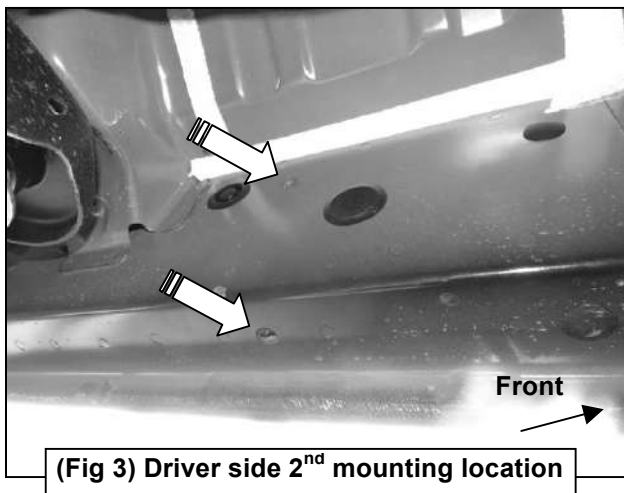
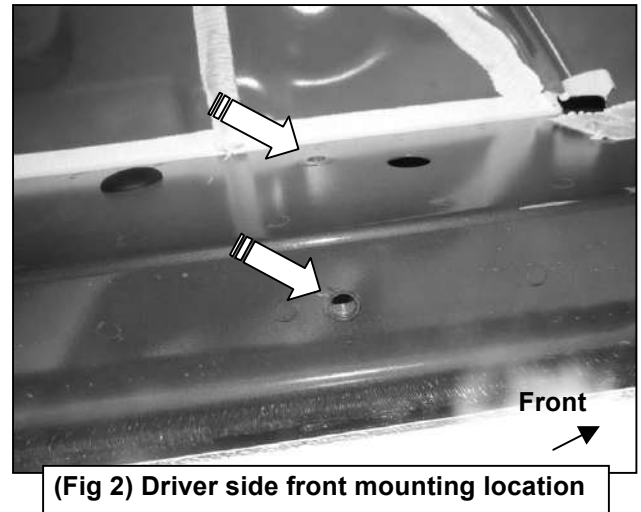
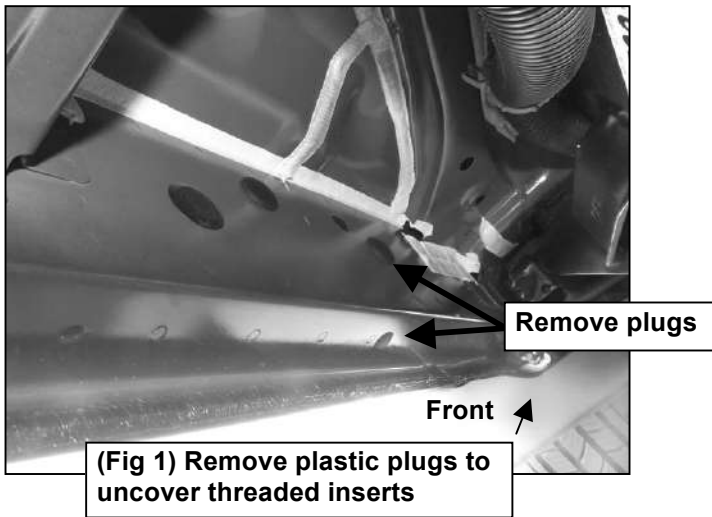
**REMOVE CONTENTS FROM BOX. VERIFY ALL PARTS ARE PRESENT. READ INSTRUCTIONS CAREFULLY BEFORE STARTING INSTALLATION. ASSISTANCE IS RECOMMENDED.**

1. Start the installation under the driver side of the vehicle. Locate the 6 plugs along the bottom edge of the body. Mounting Brackets will bolt to the 1st, 3rd, 4th and 6th threaded mounting holes, **(Figures 1—5)**. Remove the plastic plugs from each mounting location. Directly above each threaded insert is a top mounting location on the side of the body panel. Hold a bracket up in place to help determine the mounting holes to use along the body. **NOTE:** Thread an 8mm Hex Bolt into the threaded inserts to remove paint as required.
2. Select (1) Mounting Bracket. Starting at the front of the driver/left side, bolt the mounting bracket to the factory threaded holes with (2) 8mm Hex Bolts, (2) 8mm Lock Washers and (2) 8mm Flat Washers, **(Figures 6 & 7)**. Do not tighten hardware at this time.
3. Repeat **Steps 1 & 2** to install (3) Mounting Brackets on the remaining driver/left side mounting locations along the body panel, **(Figures 8—10)**.
4. Select the Driver/left nerf bar. Use the illustration above to help determine the correct nerf bar. Place the nerf bar on top of the brackets. **IMPORTANT:** Do not slide, (front to back or rotate), the nerf bar on the brackets or damage to the finish may result.

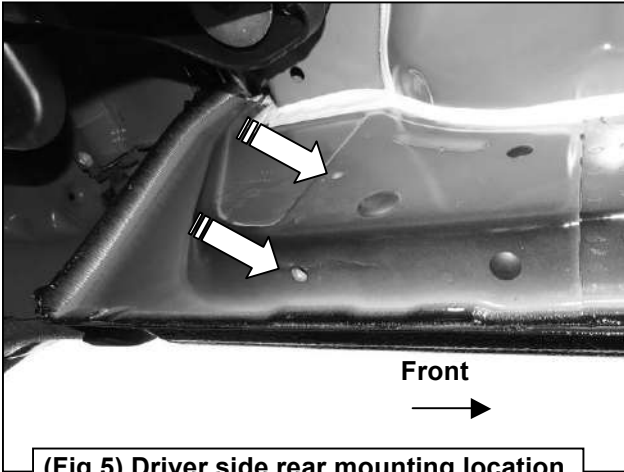
5. Attach the nerf bar to the brackets with (8) 8mm Combo Bolts, **(Figures 11—15)**.
6. Level and adjust the nerf bar and fully tighten all hardware.
7. Repeat **Steps 1—6** to install the Passenger/right nerf bar.
8. Do periodic inspections to the installation to make sure that all hardware is secure and tight.

**To protect your investment**, wax this product after installing. Regular waxing is recommended to add a protective layer over the finish. Do not use any type of polish or wax that may contain abrasives that could damage the finish. Aluminum polish may be used to polish small scratches and scuffs on the finish. Mild soap may be used also to clean the nerf bars.

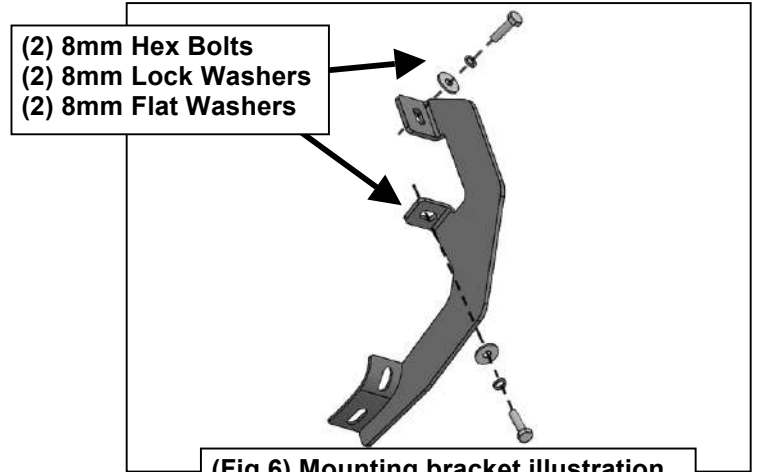
### Driver/left side Installation Pictured



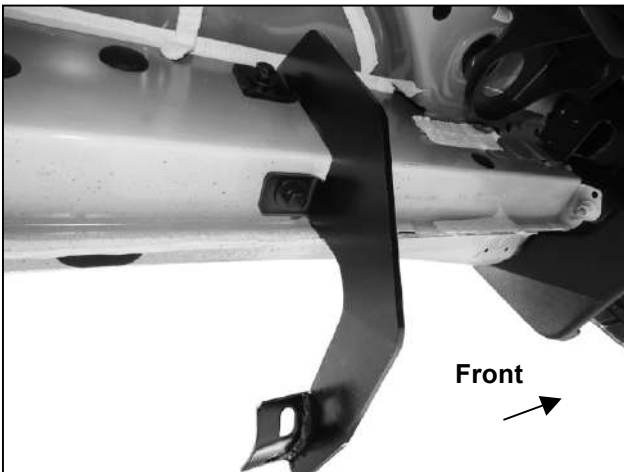
**Driver/left side Installation Pictured**



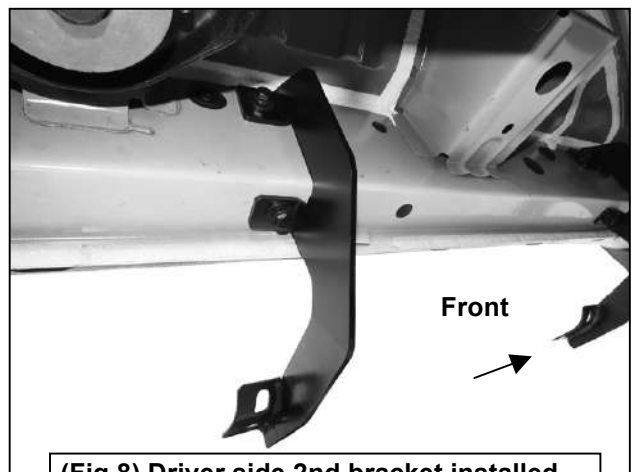
**(Fig 5) Driver side rear mounting location**



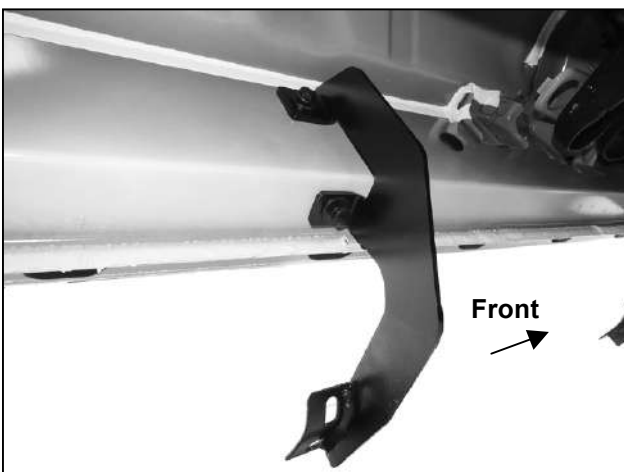
**(Fig 6) Mounting bracket illustration**



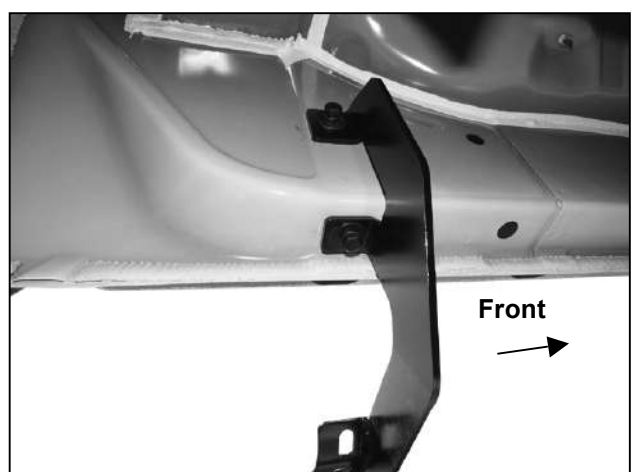
**(Fig 7) Driver side front bracket installed**



**(Fig 8) Driver side 2nd bracket installed**



**(Fig 9) Driver side 3rd bracket installed**



**(Fig 10) Driver side rear bracket installed**

**Driver/left side Installation Pictured**

