

# Installation Instructions

I - Sheet Number LUNDRB79

# **LUND**<sup>®</sup>

Premium Style. Lasting Performance.

For proper installation and best possible fit, please read all instructions **BEFORE** you begin.

## Care and Cleaning

- Wash only with mild soap and dry with a clean cloth.
- Every 3 months or 5000 miles check for loose hardware and tighten as necessary.

## Congratulations!

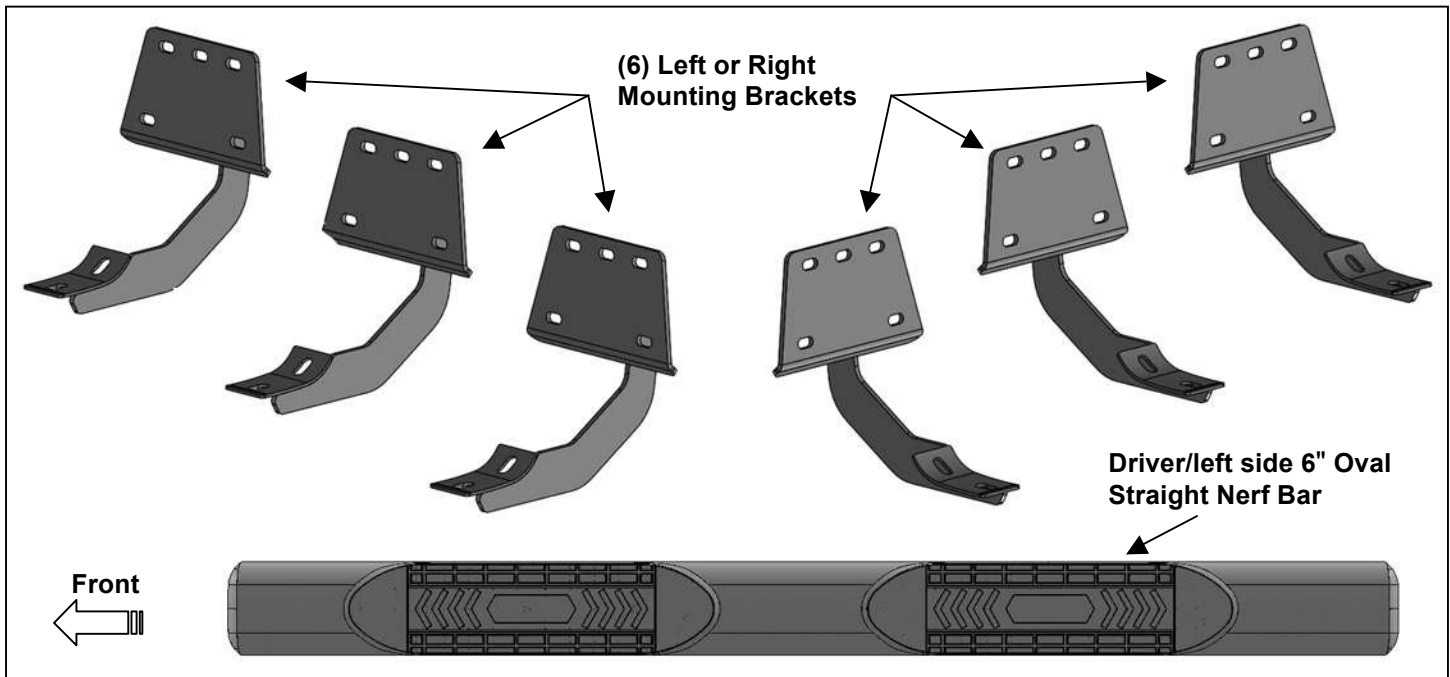
You have purchased one of the many quality Lund<sup>®</sup> branded products offered by Lund International. We take the utmost pride in our products and want you to enjoy years of satisfaction from your investment. We have made every effort to ensure that your product is top quality in terms of fit, durability, finish and ease of installation.

## Recycle

The material that your product is made from can be recycled. Please also consider recycling the packaging that your product came in.

**PARTS LIST:**

1	Driver/left side 6" Oval Straight Nerf Bar	12	8-1.25mm x 25mm Combo Hex Bolts
1	Passenger/right side 6" Oval Straight Nerf bar	18	8mm x 24mm x 2mm Flat Washers
6	Mounting Brackets	18	8-1.25mm Nylon Lock Nuts



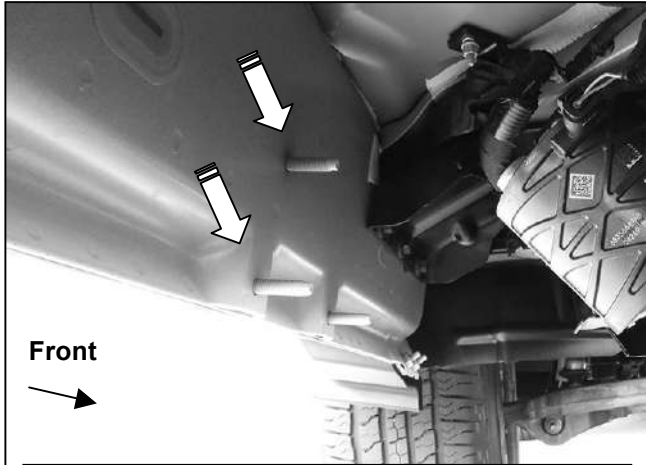
**PROCEDURE:**

**REMOVE CONTENTS FROM BOX. VERIFY ALL PARTS ARE PRESENT. READ INSTRUCTIONS CAREFULLY BEFORE STARTING INSTALLATION. ASSISTANCE IS RECOMMENDED.**

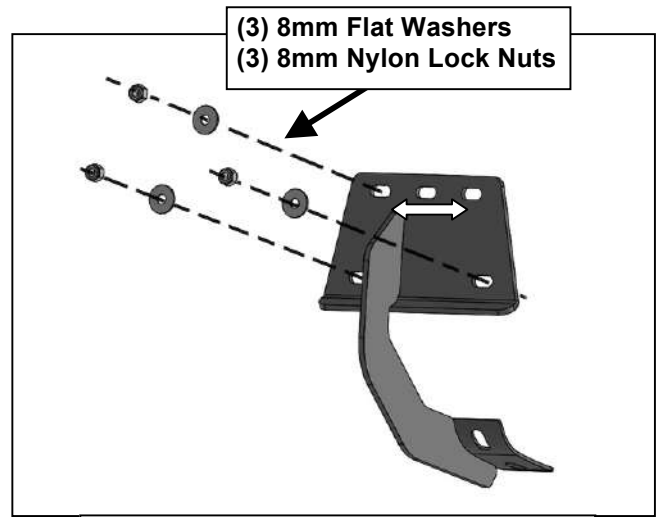
1. Start the installation under the driver side of the vehicle. Locate the front (3) factory studs along the inner side of the body panel, **(Figure 1)**. Use a wire brush or thread chaser die to remove excess paint or undercoating from threaded studs as necessary.
2. Select (1) Mounting Bracket. **NOTE:** All (6) Brackets are universal and will fit left or right side. Attach the mounting bracket to the (3) factory studs with (3) 8mm Flat Washers and (3) 8mm Nylon Lock Nuts, **(Figures 2 & 3)**. Leave brackets loose at this time.
3. Repeat **Steps 1 & 2** to install the brackets in the center and rear mounting locations along the body panel, **(Figures 4—6)**.
4. Carefully unwrap and select the Driver/left nerf bar. Use the illustration above to help identify the correct nerf bar. Place the nerf bar on top of the brackets. **IMPORTANT:** Do not slide, (front to back or rotate), the nerf bar on the brackets or damage to the finish on the nerf bar may result.
5. Attach the nerf bar to the brackets with (6) 8mm Combo Hex Bolts, **(Figures 7—10)**. Do not tighten hardware at this time.
6. Level and adjust the nerf bar as necessary and fully tighten all hardware.
7. Repeat **Steps 1—6** for Passenger/right nerf bar installation.
8. Do periodic inspections to the installation to make sure that all hardware is secure and tight.

**To protect your investment**, wax this product after installing. Regular waxing is recommended to add a protective layer over the finish. Do not use any type of polish or wax that may contain abrasives that could damage the finish. Mild soap may be used also to clean the nerf bar.

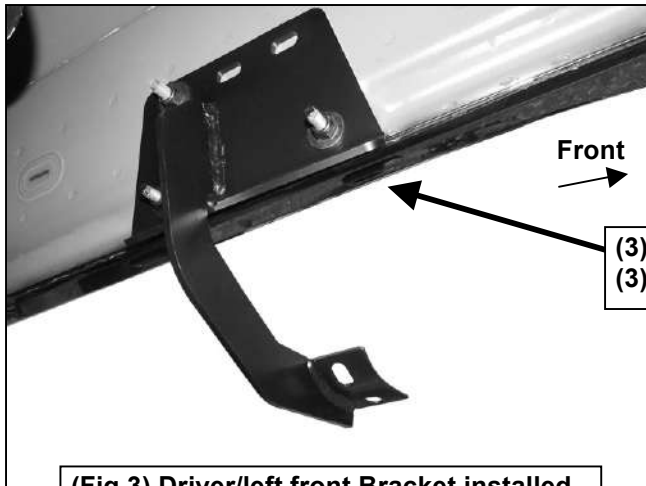
### Driver/left Side Installation Pictured



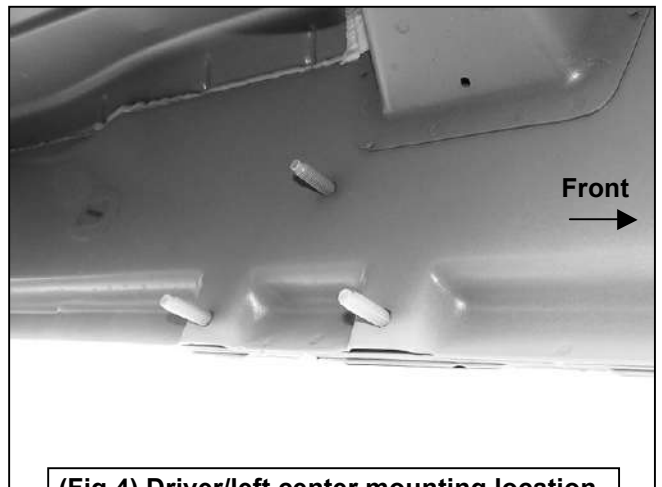
(Fig 1) Driver/left side front mounting location



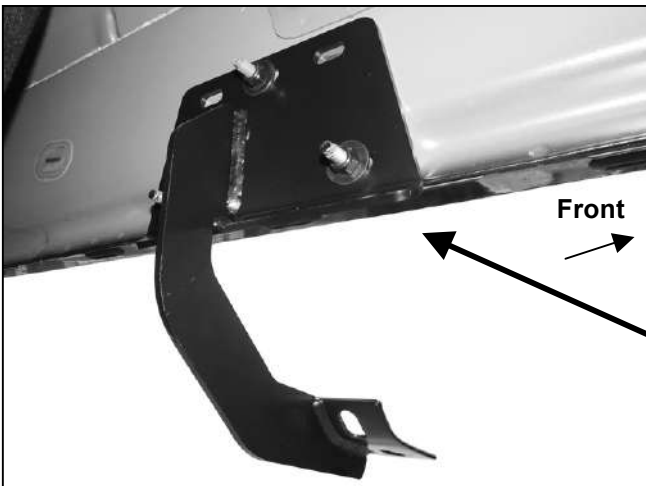
(Fig 2) Attach Bracket to the (3) studs



(Fig 3) Driver/left front Bracket installed



(Fig 4) Driver/left center mounting location



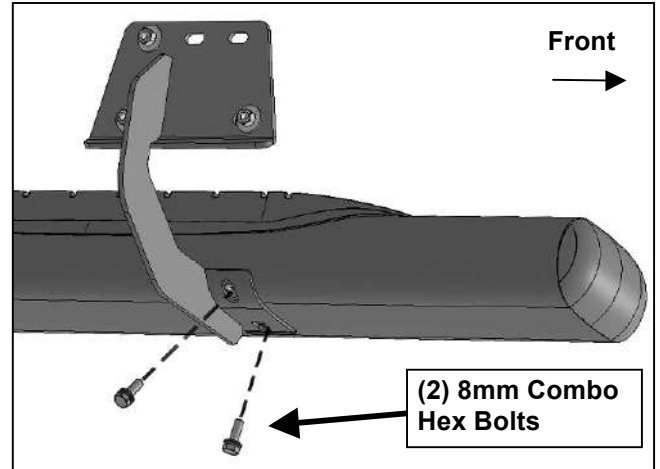
(Fig 5) Driver/left center Bracket installed

(3) 8mm Flat Washers  
(3) 8mm Nylon Lock Nuts

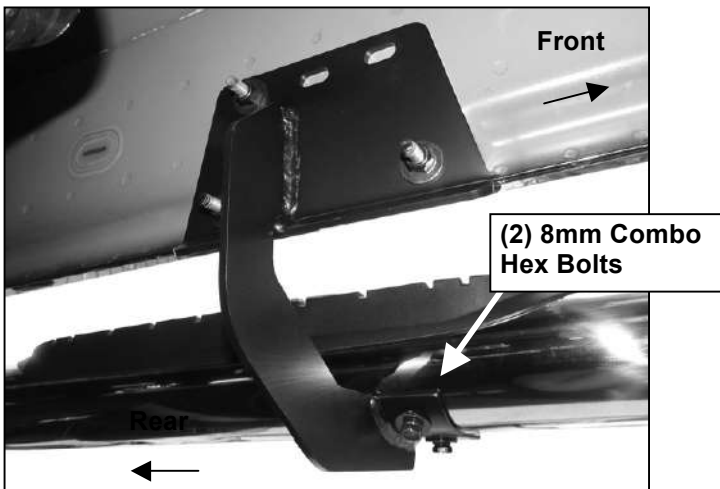
### Driver/left Side Installation Pictured



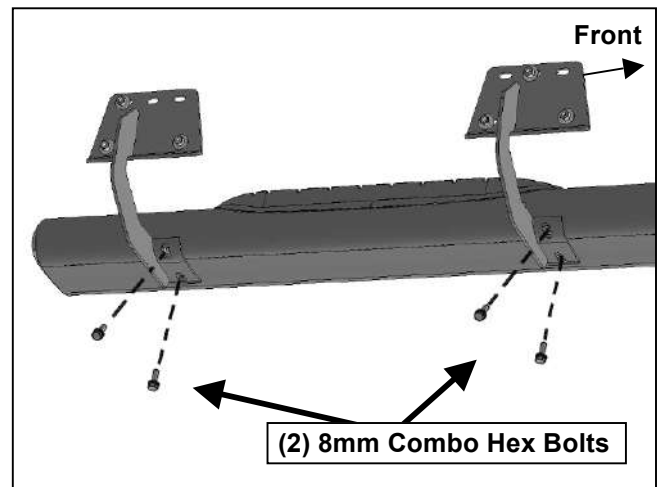
(Fig 6) Driver/left rear mounting location



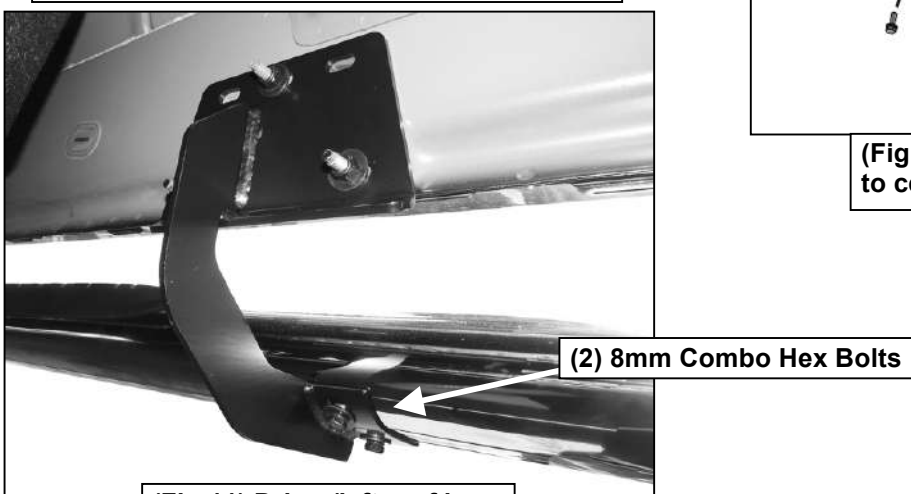
(Fig 7) Attach driver/left nerf bar to front Bracket



(Fig 8) Driver/left front complete installation



(Fig 9) Attach driver/left nerf bar to center and rear Brackets



(Fig 11) Driver/left nerf bar attached to center Bracket