

# Installation Instructions

# **LUND**<sup>®</sup>

Premium Style. Lasting Performance.

## Care and Cleaning

- Wash only with mild soap and dry with a clean cloth.
- Every 3 months or 5000 miles check for loose hardware and tighten as necessary.

## Congratulations!

You have purchased one of the many quality Lund<sup>®</sup> branded products offered by Lund International. We take the utmost pride in our products and want you to enjoy years of satisfaction from your investment. We have made every effort to ensure that your product is top quality in terms of fit, durability, finish and ease of installation.

## Recycle

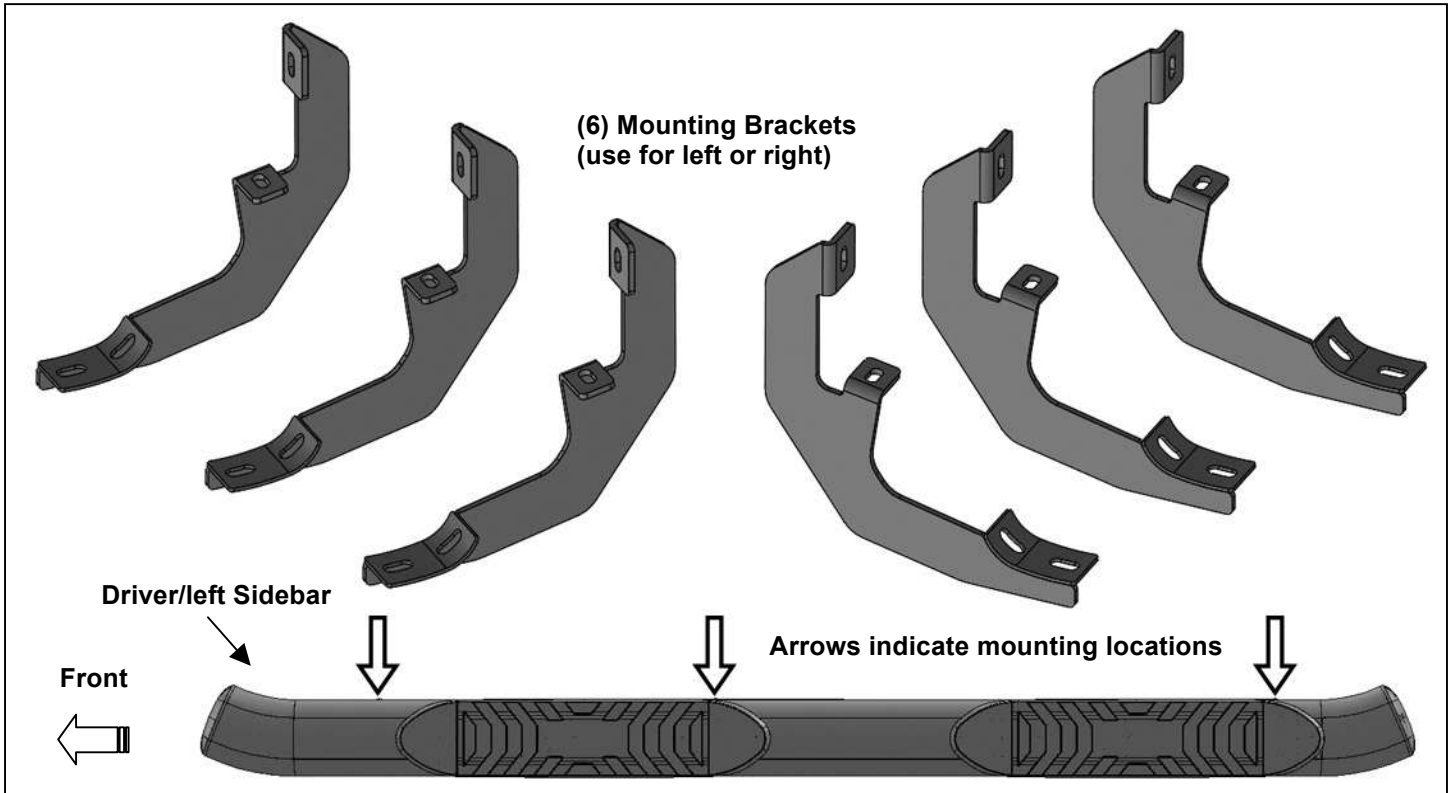
The material that your product is made from can be recycled. Please also consider recycling the packaging that your product came in.

# **LUND**<sup>®</sup>



**PARTS LIST:**

1	Driver/left Sidebar	12	8mm Hex Bolts
1	Passenger/right Sidebar	12	8mm Combo Bolts
6	Mounting Brackets	12	8mm Lock Washers
		12	8mm Flat Washers



Note: Representative image. Your nerf bar may vary from the one shown.

**PROCEDURE:**

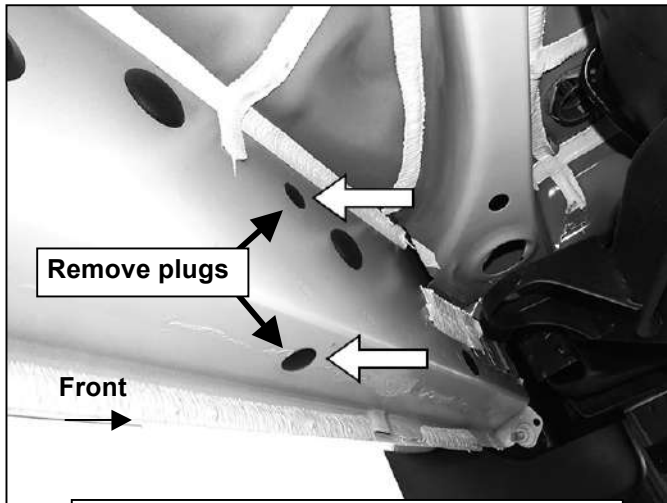
**REMOVE CONTENTS FROM BOX. VERIFY ALL PARTS ARE PRESENT. READ INSTRUCTIONS CAREFULLY BEFORE STARTING INSTALLATION. ASSISTANCE IS RECOMMENDED.**

1. Start the installation under the driver/left side of the vehicle. Locate the plastic plugs along the bottom edge of the body. Mounting Brackets bolt to the 1st, 2nd and 4th threaded mounting holes, **(Figure 1)**. Remove the plastic plugs from each mounting location, **(Figure 2)**. Directly above each threaded insert is a top mounting location on the side of the body panel. Hold a Bracket up in place to help determine the correct mounting holes to use along the body. **NOTE:** Thread a Hex Bolt into the threaded inserts to clear paint as required.
2. Select (1) Mounting Bracket, **(Figure 3)**. Starting at the front of the driver/left side, attach the mounting bracket to the factory threaded holes with (2) Hex Bolts, (2) Lock Washers and (2) Flat Washers, **(Figures 3 & 4)**. Do not fully tighten hardware.
3. Repeat **Steps 1 & 2** to attach the center and rear brackets to the center and rear mounting locations along the body panel, **(Figures 5 & 6)**.
4. Select the Driver/left nerf bar. Use the illustration above to help determine the correct nerf bar. **NOTE:** The front step pad is farther away from the front end of the nerf bar. Place the nerf bar on top of the brackets. **IMPORTANT:** Do not slide, (front to back), the nerf bar on the brackets or damage to the finish may result.
5. Attach the nerf bar to the brackets with (6) Combo Bolts, **(Figures 7 & 8)**.
6. Level and adjust the nerf bar and fully tighten all hardware.

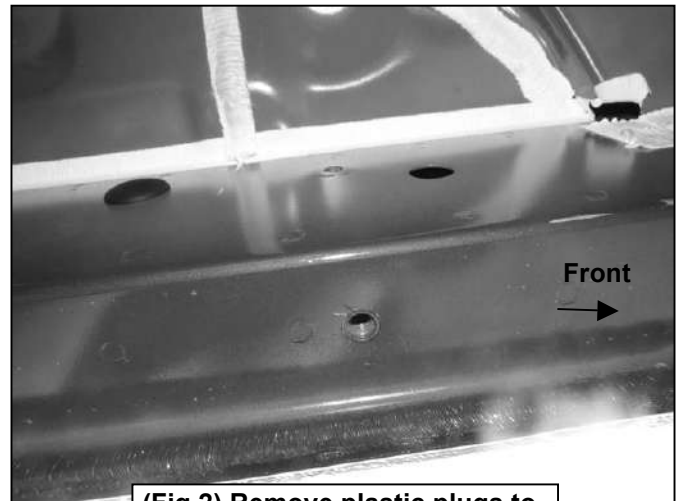
7. Repeat **Steps 1—6** to install the Passenger/right nerf bar.
8. Do periodic inspections to the installation to make sure that all hardware is secure and tight.

**To protect your investment**, wax this product after installing. Regular waxing is recommended to add a protective layer over the finish. Do not use any type of polish or wax that may contain abrasives that could damage the finish. Aluminum polish may be used to polish small scratches and scuffs on the finish. Mild soap may be used also to clean the nerf bars.

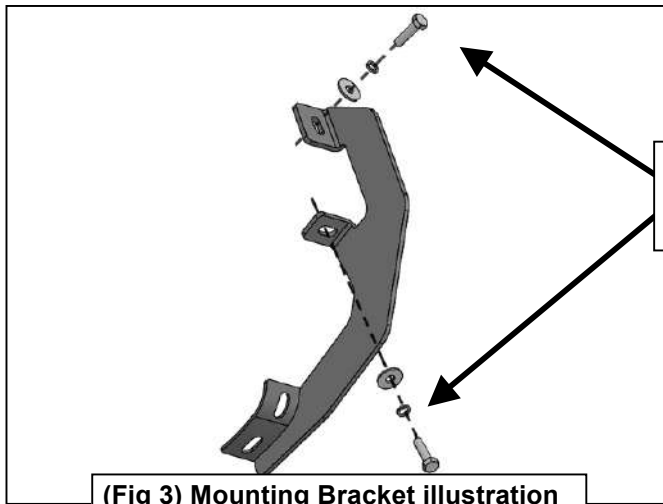
### Driver/left side Installation Pictured



(Fig 1) Driver/left front mounting location



(Fig 2) Remove plastic plugs to uncover threaded inserts



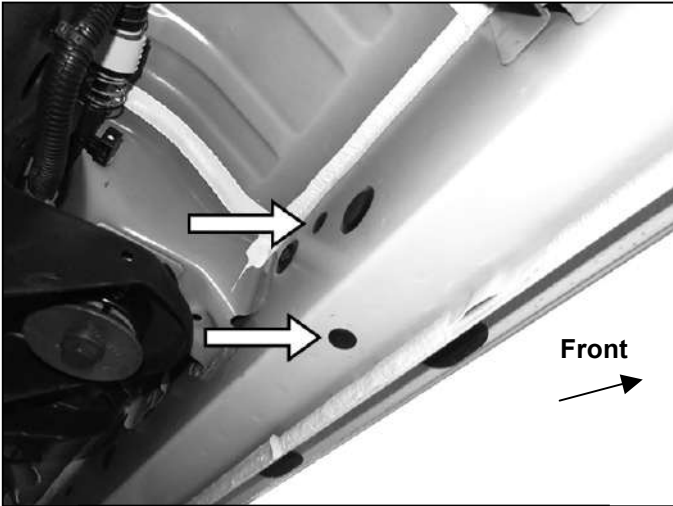
(Fig 3) Mounting Bracket illustration

- (2) Hex Bolts
- (2) Lock Washers
- (2) Flat Washers

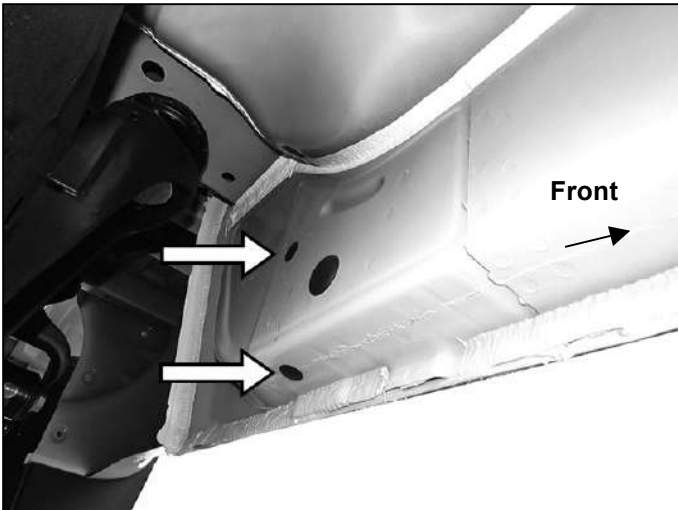


(Fig 4) Driver/left front Bracket installed

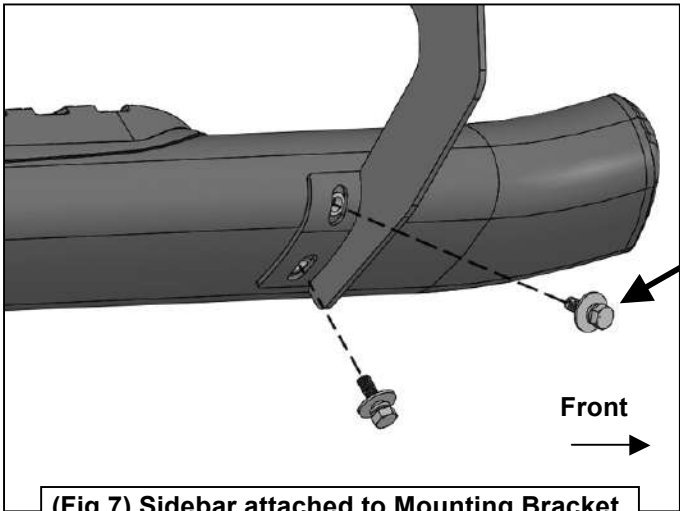
**Driver/left side Installation Pictured**



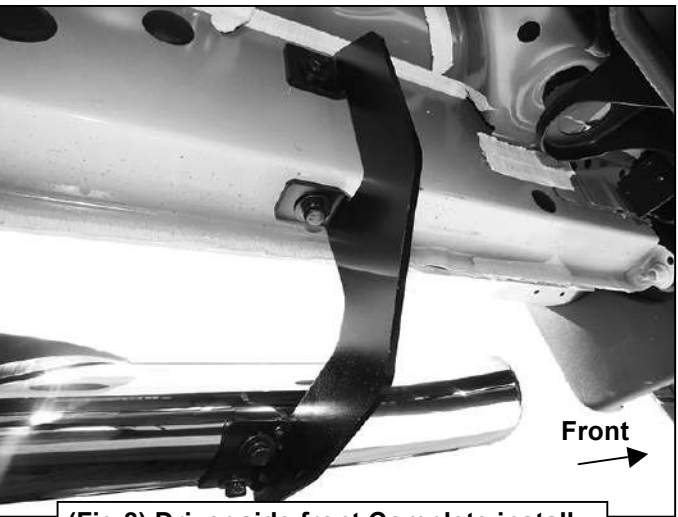
**(Fig 5) Driver side 2<sup>nd</sup> mounting location**



**(Fig 6) Driver side rear mounting location**



**(Fig 7) Sidebar attached to Mounting Bracket**



**(Fig 8) Driver side front Complete install**