

Installation Instructions

I - Sheet Number LUNDRB87

LUND[®]

Premium Style. Lasting Performance.

For proper installation and best possible fit, please read all instructions **BEFORE** you begin.

Care and Cleaning

- Wash only with mild soap and dry with a clean cloth.
- Every 3 months or 5000 miles check for loose hardware and tighten as necessary.

Congratulations!

You have purchased one of the many quality Lund[®] branded products offered by Lund International. We take the utmost pride in our products and want you to enjoy years of satisfaction from your investment. We have made every effort to ensure that your product is top quality in terms of fit, durability, finish and ease of installation.

Recycle

The material that your product is made from can be recycled. Please also consider recycling the packaging that your product came in.



LUND[®]

LUND[®]
INTERNATIONAL

INSTALLATION INSTRUCTIONS

IMPORTANT ALERT: GM uses a very strong thread-locking compound on all body bolts. Use of an air assisted impact ratchet can cause damage to the threads on factory body mount bolts and the internal nut assembly because of this thread locking compound. We only recommend the use of hand tools to slowly remove and reinstall body mount bolts on all GM vehicles.

PROCEDURE:

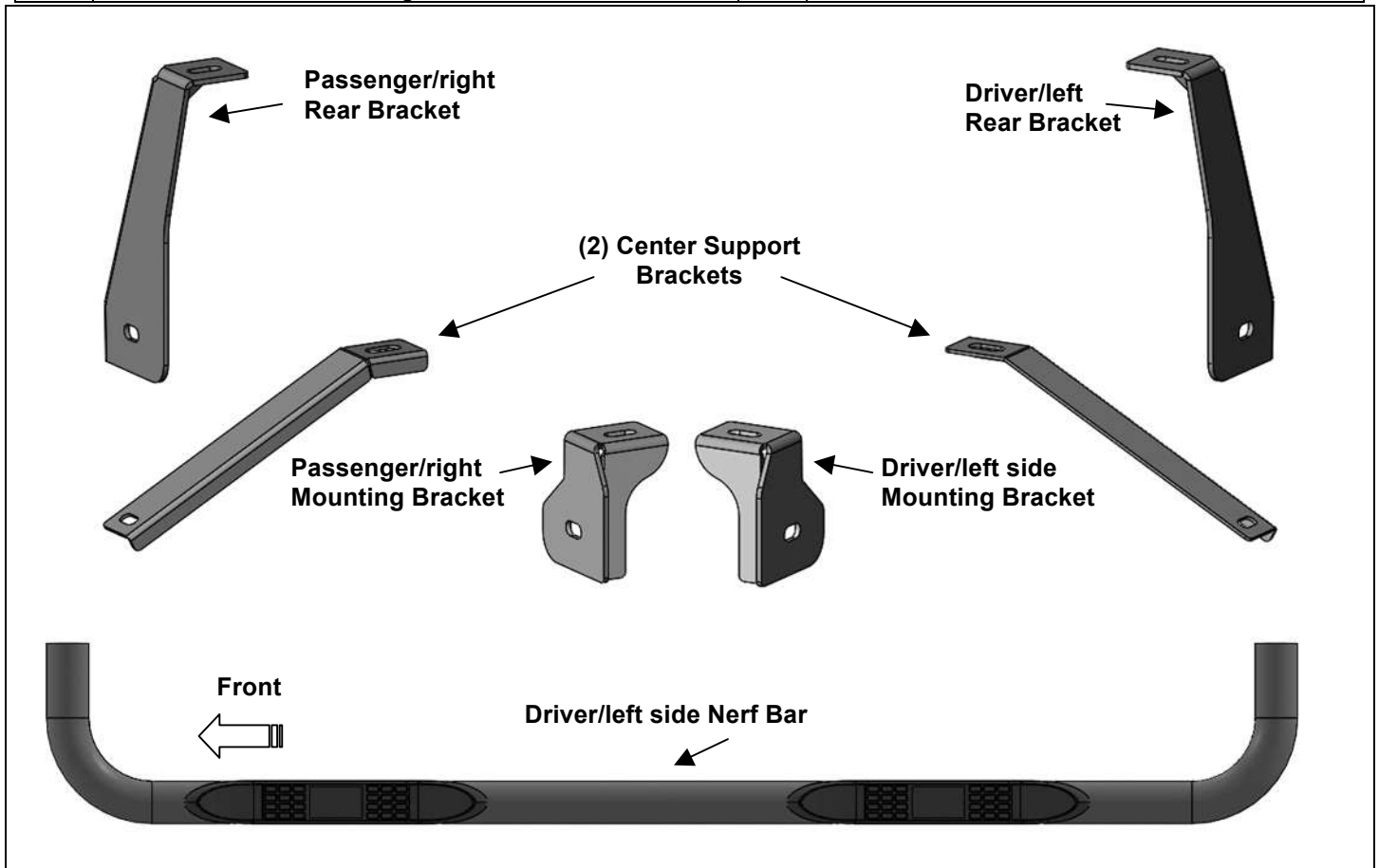
CRITICAL INFORMATION: If during the removal process, it becomes increasingly difficult to unscrew the body mount bolt with hand tools, tighten the bolt several rotations to clear the thread locking compound from the threads, then reverse direction and continue to unscrew until the body mount bolt is out. Repeat this process as necessary on all GM body mount bolts. Use of an appropriate anti-seize compound is highly recommended for re-installation. Tighten body mount bolt to factory torque specifications for your particular model year.

Example of GM factory body mount bolt



PARTS LIST:

1	Driver/left side Nerf Bar	1	Passenger/right Rear Mounting Bracket
1	Passenger/right side Nerf Bar	4	1/2" x 2" Hex Bolts
1	Driver/left Front Mounting Bracket	4	1/2" Lock Washers
1	Passenger/right Front Mounting Bracket	4	1/2" x 1-1/2" OD x 1/8" Large Flat Washers
2	Center Support Brackets	2	8-1.25mm x 25mm Combo Bolts
1	Driver/left Rear Mounting Bracket		



PROCEDURE:

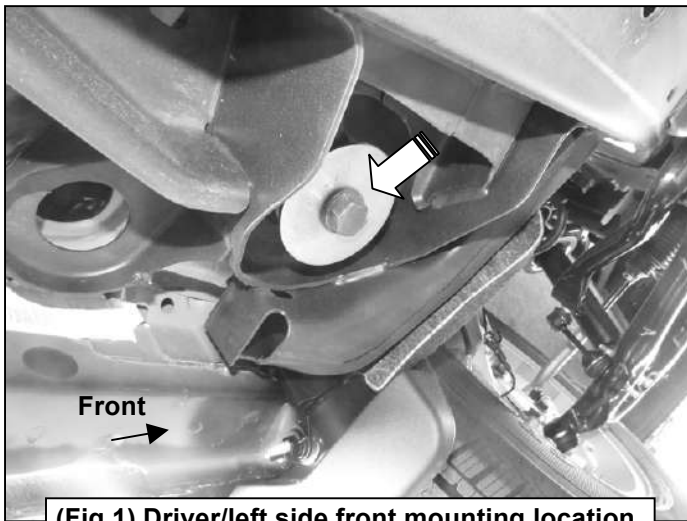
REMOVE CONTENTS FROM BOX. VERIFY ALL PARTS ARE PRESENT. READ INSTRUCTIONS CAREFULLY BEFORE STARTING INSTALLATION. ASSISTANCE IS RECOMMENDED.

1. Start the installation under the driver/left side of the vehicle. Locate the front body mount, **(Figure 1)**. Remove the front body bolt.
2. Select the Driver/left side Front Bracket, **(Figure 2)**. Line up the upper slot on the bracket with the body bolt hole. Reuse the factory body bolt to attach the bracket to the top of the body mount, **(Figure 2)**.
3. Move to the center mounting location, **(Figure 3)**. Repeat **Steps 1 & 2** to install (1) Center Support Bracket to the center body mount, **(Figure 4)**.
4. Move to the rear mounting location, **(Figure 5)**. Repeat **Steps 1 & 2** to install the rear mounting bracket to the rear body mount, **(Figure 6)**.

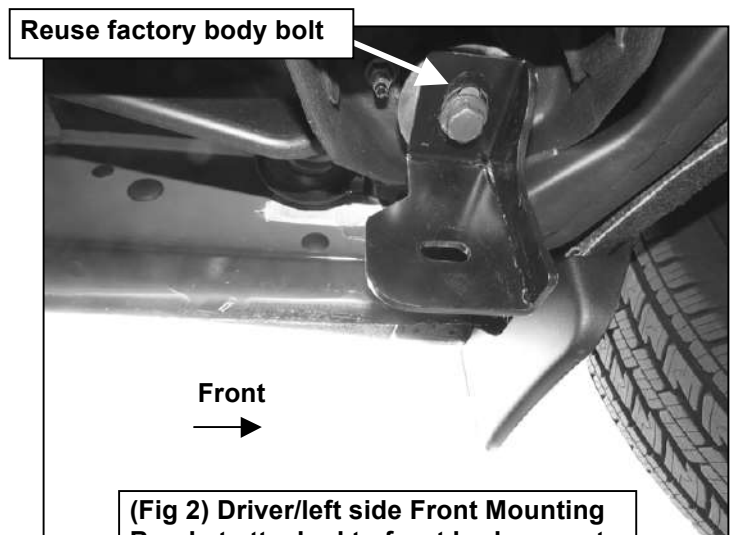
5. Carefully unwrap and select the Driver/left nerf bar. Use the illustration above to help identify the correct nerf bar. With assistance, line up the front end of the tube with the front bracket slot, **(Figure 7)**. Use (1) 1/2" Hex Bolt, (1) 1/2" Lock Washer and (1) 1/2" Flat Washer to attach the front end of the nerf bar tube to the front bracket, **(Figure 8)**. Snug but do not tighten hardware at this time.
6. Attach the Sidebar to the Center Support Bracket using (1) 8mm Combo Bolt, **(Figures 9 & 10)**. Do not tighten hardware at this time.
7. Repeat **Step 5** to attach the rear end of the nerf bar to the rear bracket, **(Figures 11 & 12)**.
8. Level and adjust the nerf bar as necessary and fully tighten all hardware.
9. Repeat **Steps 1—8** for Passenger/right nerf bar installation.
10. Do periodic inspections to the installation to make sure that all hardware is secure and tight.

To protect your investment, wax this product after installing. Regular waxing is recommended to add a protective layer over the finish. Do not use any type of polish or wax that may contain abrasives that could damage the finish. Mild soap may be used also to clean the nerf bar.

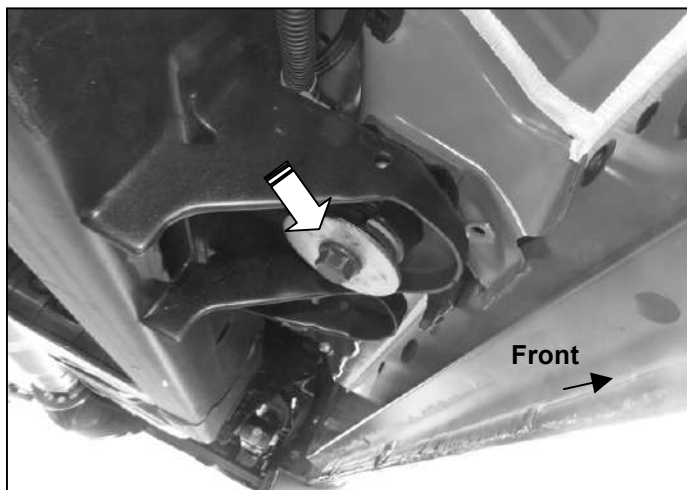
Driver/left Side Installation Pictured



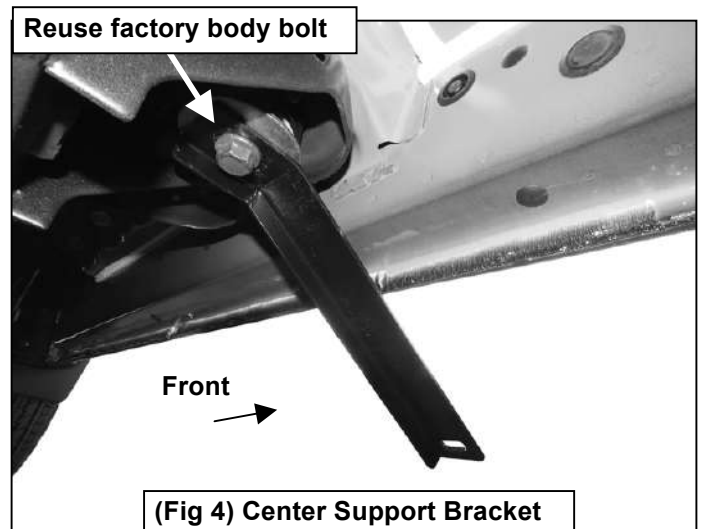
(Fig 1) Driver/left side front mounting location



(Fig 2) Driver/left side Front Mounting Bracket attached to front body mount

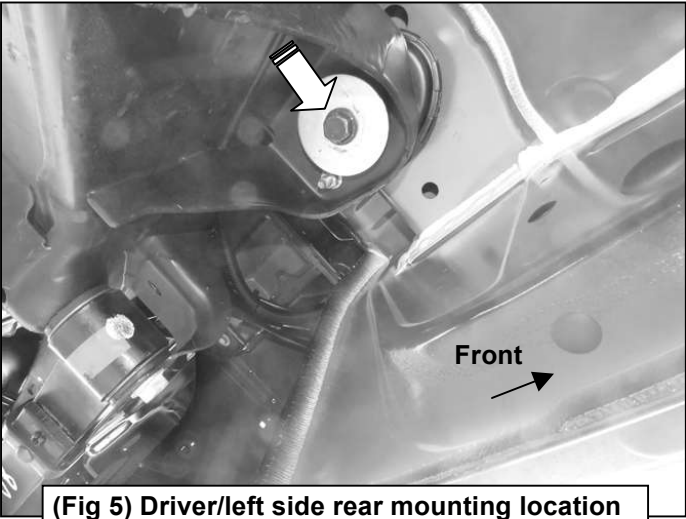


(Fig 3) Driver/left side center mounting location

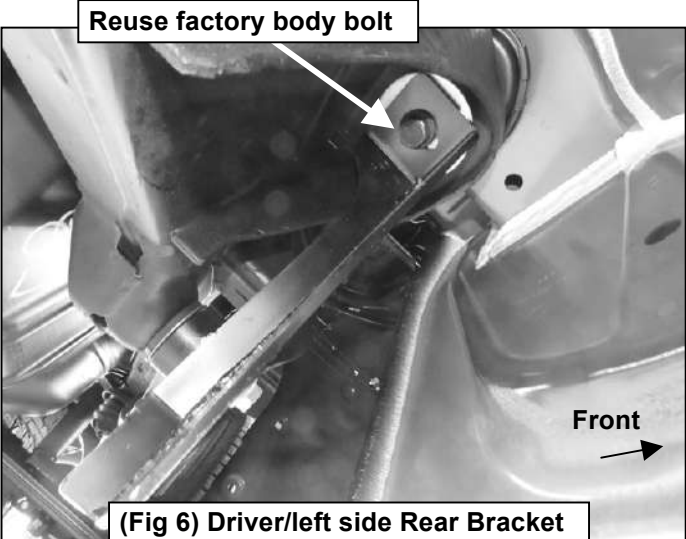


(Fig 4) Center Support Bracket attached to center body mount

Driver/left Side Installation Pictured

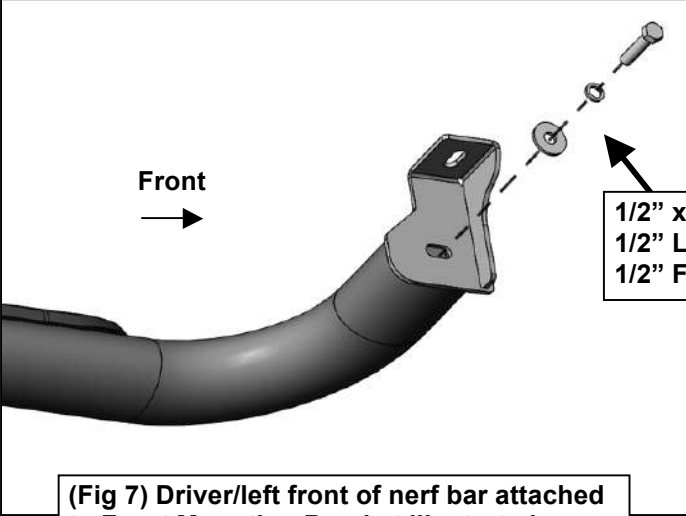


(Fig 5) Driver/left side rear mounting location



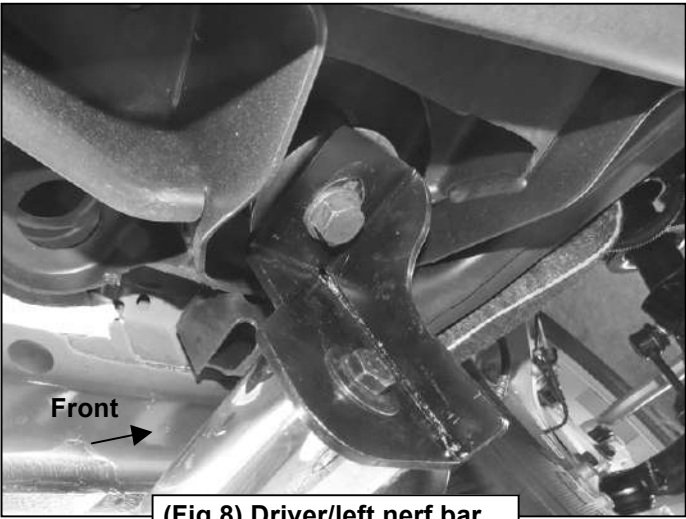
Reuse factory body bolt

(Fig 6) Driver/left side Rear Bracket attached to the rear body mount

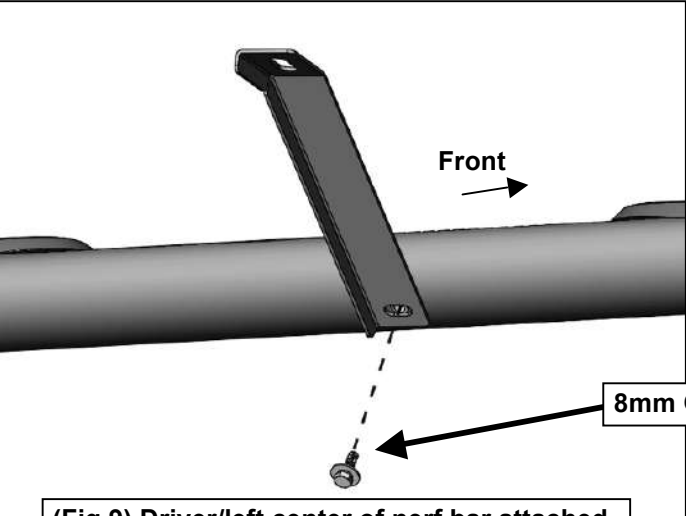


- 1/2" x 2" Hex Bolt
- 1/2" Lock Washer
- 1/2" Flat Washer

(Fig 7) Driver/left front of nerf bar attached to Front Mounting Bracket illustrated



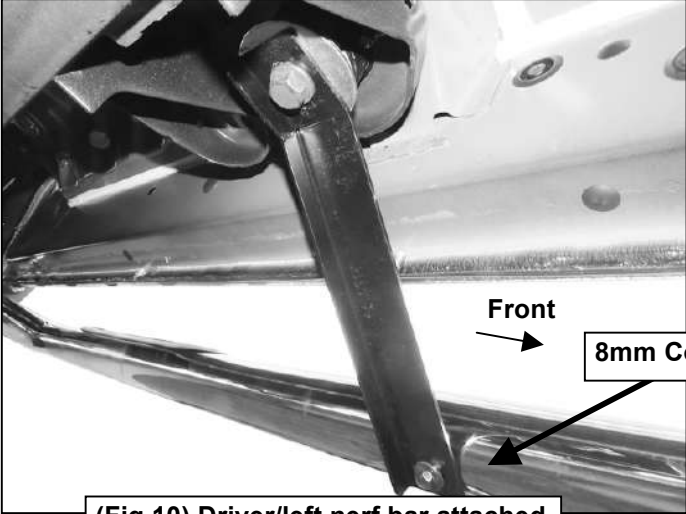
(Fig 8) Driver/left nerf bar attached to Front Bracket



8mm Combo Bolt

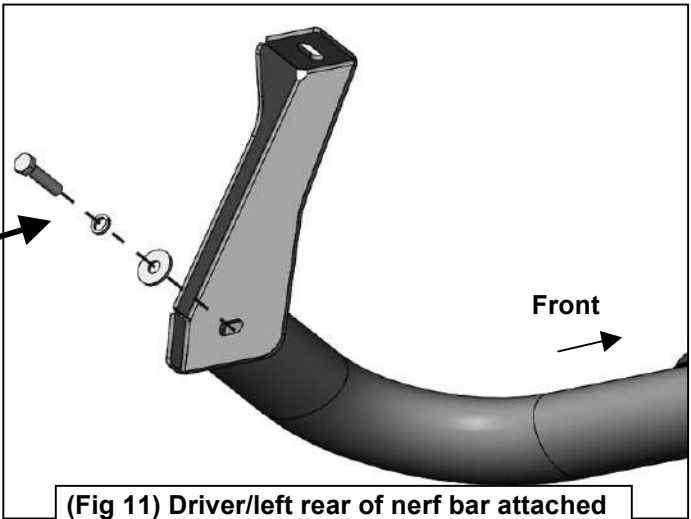
(Fig 9) Driver/left center of nerf bar attached to Center Support Bracket illustrated

Driver/left Side Installation Pictured

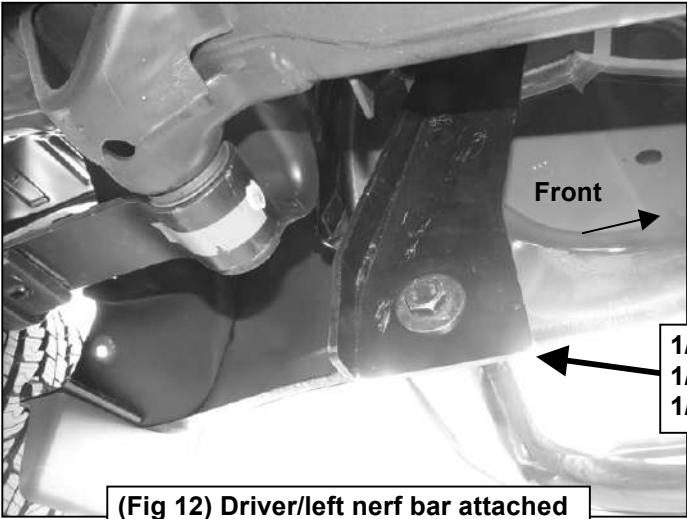


(Fig 10) Driver/left nerf bar attached to Center Support Bracket

1/2" x 2" Hex Bolt
1/2" Lock Washer
1/2" Flat Washer



(Fig 11) Driver/left rear of nerf bar attached to the Rear Mounting Bracket illustrated



(Fig 12) Driver/left nerf bar attached to the Rear Mounting Bracket