

# Installation Instructions

I - Sheet Number LUNDRB78

# **LUND**<sup>®</sup>

Premium Style. Lasting Performance.

For proper installation and best possible fit, please read all instructions **BEFORE** you begin.

## Care and Cleaning

- Wash only with mild soap and dry with a clean cloth.
- Every 3 months or 5000 miles check for loose hardware and tighten as necessary.

## Congratulations!

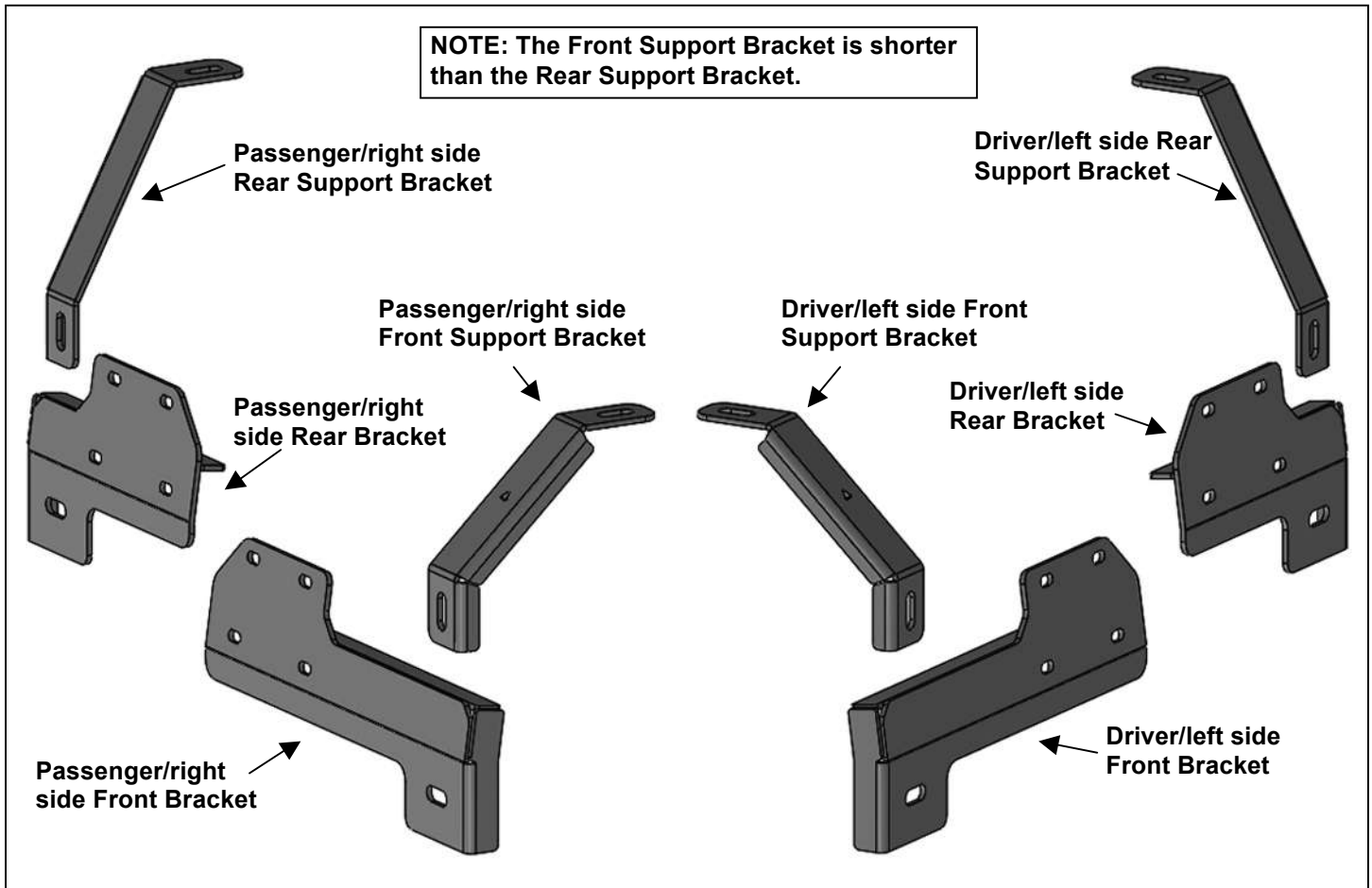
You have purchased one of the many quality Lund<sup>®</sup> branded products offered by Lund International. We take the utmost pride in our products and want you to enjoy years of satisfaction from your investment. We have made every effort to ensure that your product is top quality in terms of fit, durability, finish and ease of installation.

## Recycle

The material that your product is made from can be recycled. Please also consider recycling the packaging that your product came in.

**PARTS LIST:**

2	3" Round Bent Nerf Bars	1	Driver/left side Rear Support Bracket
1	Driver/left side Front Mounting Bracket	1	Passenger/right side Rear Support Bracket
1	Passenger/right side Front Mounting Bracket	4	1/2" x 2" Hex Bolts
1	Driver/left side Rear Mounting Bracket	4	1/2" x 1-1/2" x 1/8" Flat Washers
1	Passenger/right side Rear Mounting Bracket	4	1/2" Lock Washers
1	Driver/left side Front Support Bracket	12	8-1.25mm Nylon Lock Nuts
1	Passenger/right side Front Support Bracket	12	8mm x 24mm x 2mm Flat Washers



**PROCEDURE:**

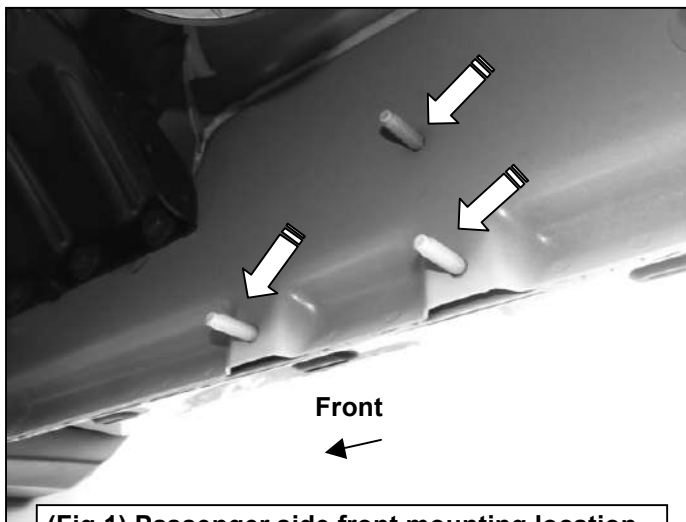
**REMOVE CONTENTS FROM BOX. VERIFY ALL PARTS ARE PRESENT. READ INSTRUCTIONS CAREFULLY BEFORE STARTING INSTALLATION. ASSISTANCE IS RECOMMENDED.**

1. Start the installation under the passenger/right side of the vehicle. Locate the front (3) factory studs along the inner side of the body panel, **(Figure 1)**. **NOTE:** Use a wire brush or die to remove paint buildup on the threaded studs.
2. Select the Passenger/right side Front Mounting Bracket. Attach the mounting bracket to the (3) factory studs with (3) 8mm Flat Washers and (3) 8mm Nylon Lock Nuts, **(Figures 2 & 3)**. Leave Bracket loose at this time.
3. Locate the front body mount, **(Figure 4)**. Remove the factory body bolt and factory washer, **(Figure 5)**. **NOTE:** Chase thread on body bolt to remove paint buildup before reinstalling. Select the passenger side front support bracket, **(Figure 6)**. Line up the upper slot on the bracket with the body bolt hole. Reuse the factory body bolt and washer to attach the bracket to the top of the body mount, **(Figure 7)**.
4. Move to the rear mounting location, **(Figure 8)**. Repeat **Steps 2 & 3** for the passenger side rear mounting and support bracket installation, **(Figures 9 & 10)**.

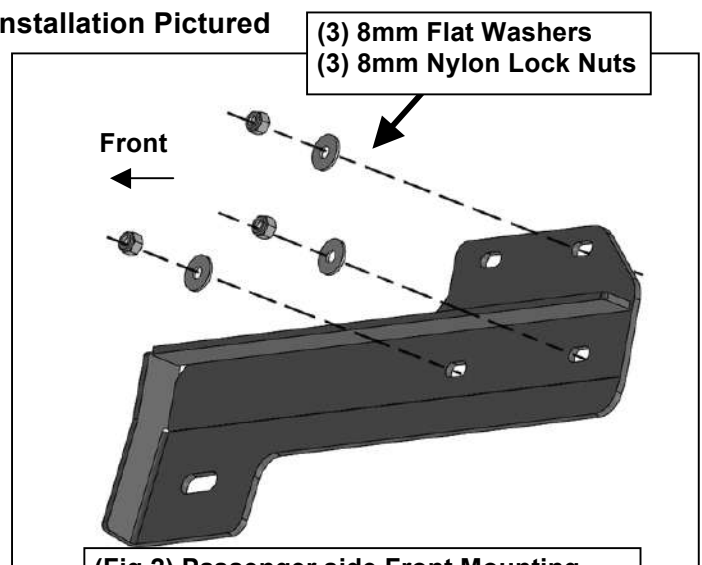
- Carefully unwrap and select (1) nerf bar. With assistance, line up the front end of the tube with the front bracket slots, **(Figure 11)**. Use 1/2" Hex Bolt, 1/2" Lock Washer and 1/2" Flat Washer to attach the front end of the nerf bar to the front brackets, **(Figures 11 & 12)**. Snug but do not tighten hardware at this time.
- Move to the rear end of the nerf bar and repeat **Step 5** to attach the nerf bar to the rear brackets, **(Figure 13)**.
- Level and adjust the nerf bar as necessary and fully tighten all hardware.
- Repeat **Steps 1—7** for nerf bar installation on the driver/left side.
- Do periodic inspections to the installation to make sure that all hardware is secure and tight.

**To protect your investment**, wax this product after installing. Regular waxing is recommended to add a protective layer over the finish. Do not use any type of polish or wax that may contain abrasives that could damage the finish. Mild soap may be used also to clean the nerf bar.

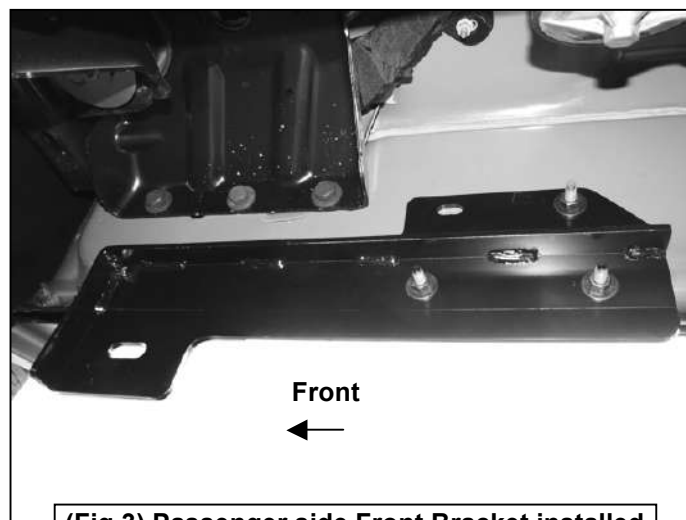
### Passenger/right Side Installation Pictured



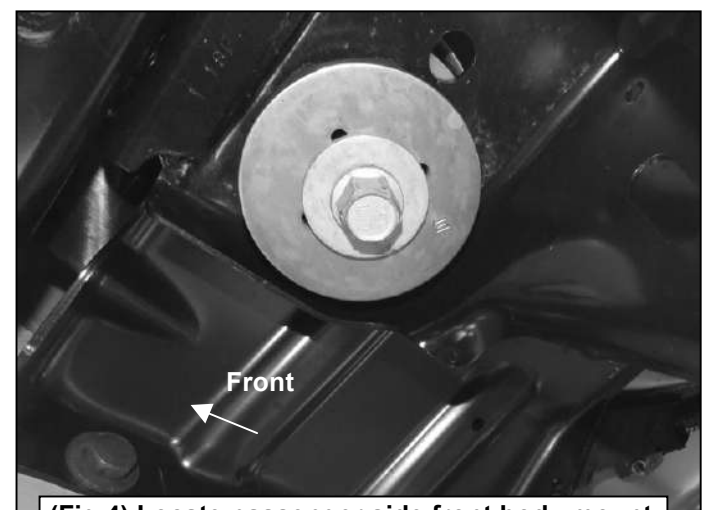
**(Fig 1) Passenger side front mounting location**



**(Fig 2) Passenger side Front Mounting Bracket attached to Side Panel illustrated**



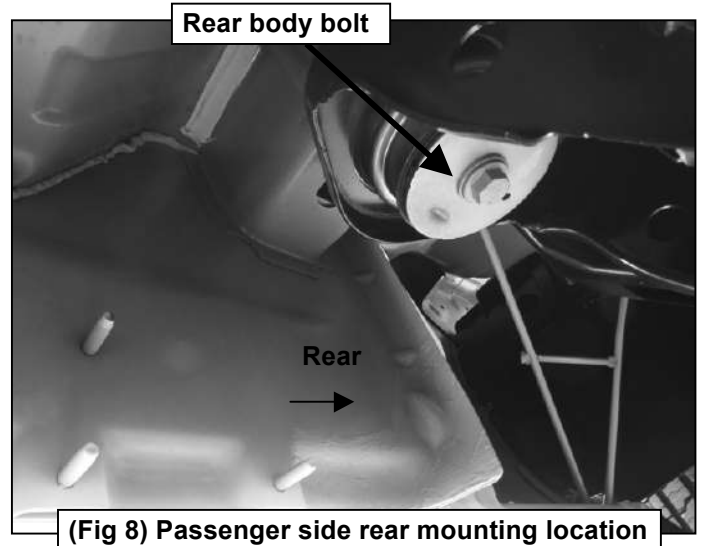
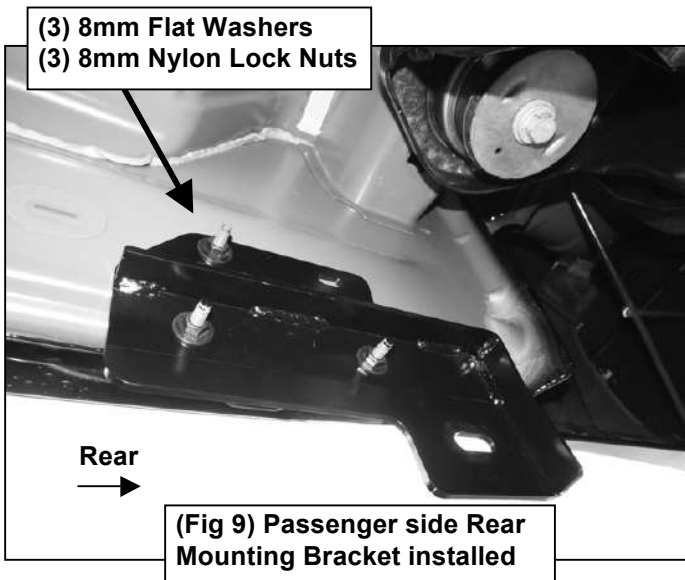
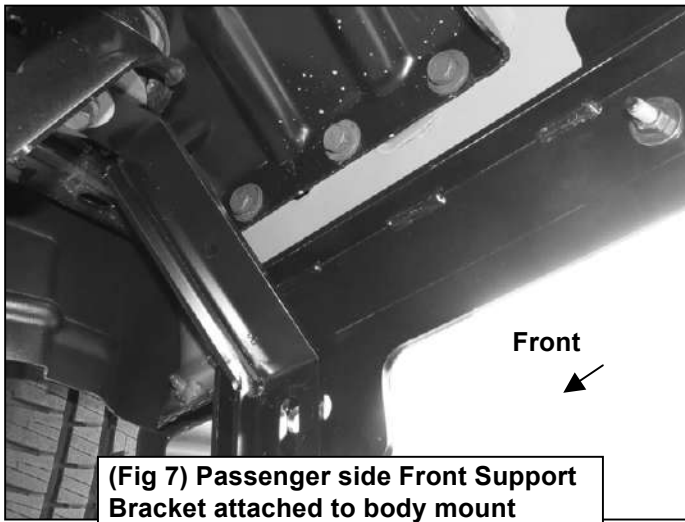
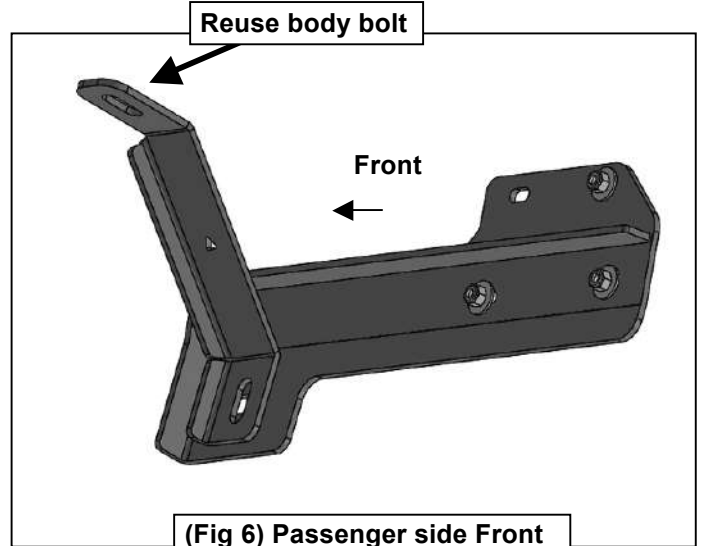
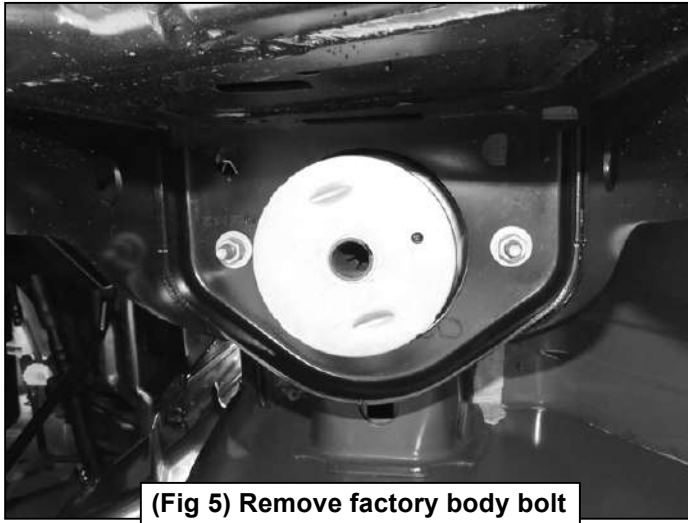
**(Fig 3) Passenger side Front Bracket installed**



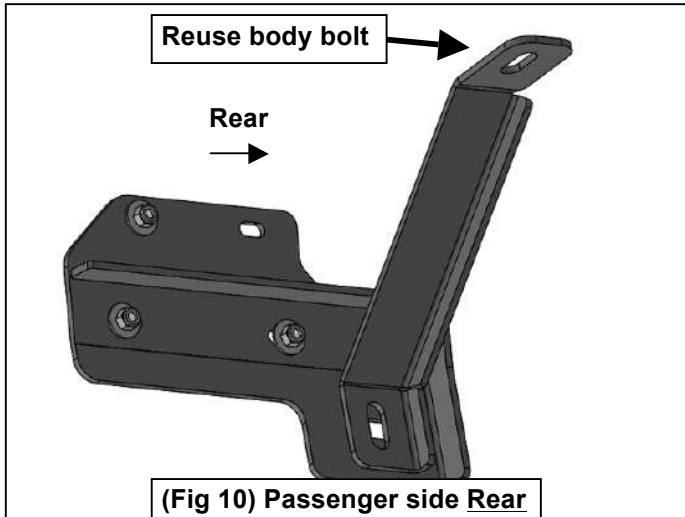
**(Fig 4) Locate passenger side front body mount**

**Passenger/right Side Installation Pictured**

**NOTE: The Front Support Bracket is shorter than the Rear Support Bracket.**



Passenger/right Side Installation Pictured



NOTE: The Front Support Bracket is shorter than the Rear Support Bracket.

