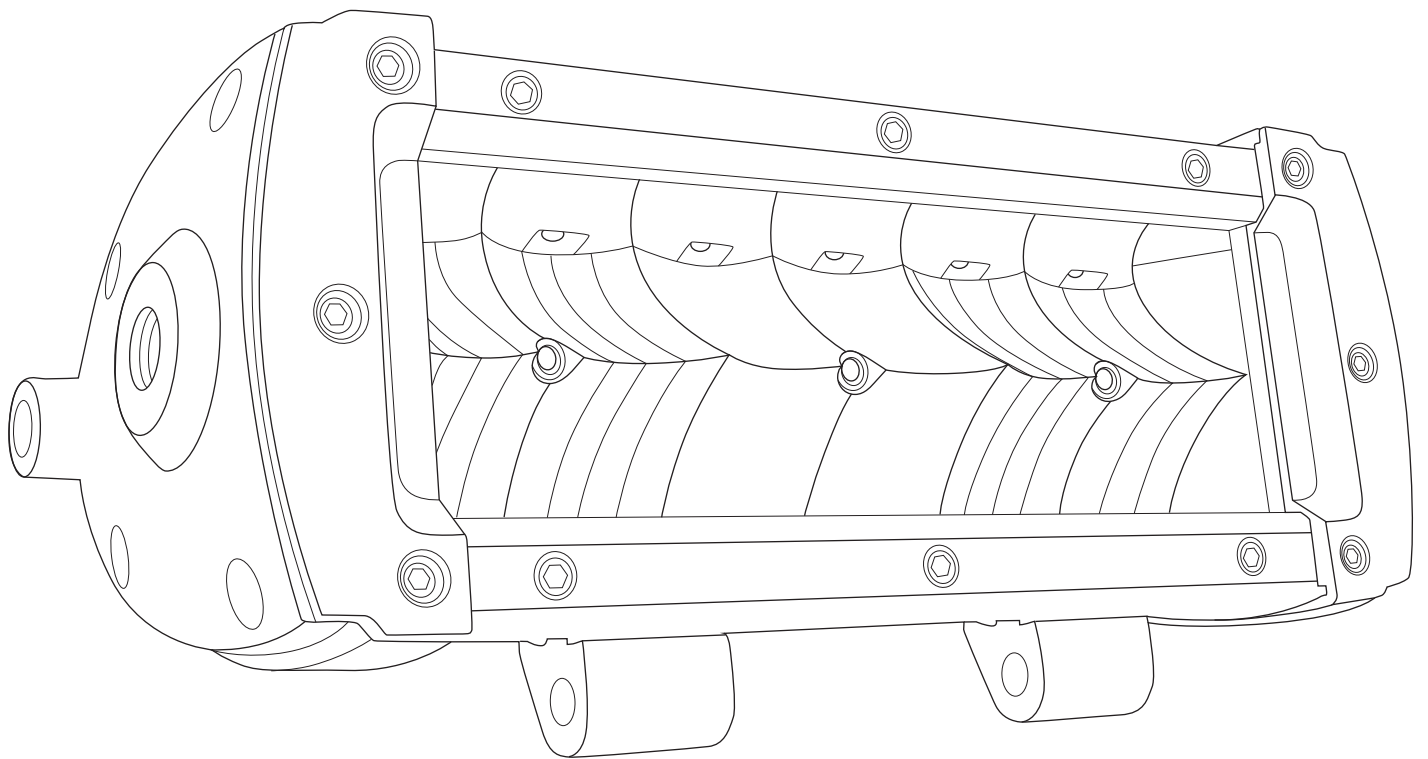


L U M E N

LED Light Bar Bracket

INSTALLATION INSTRUCTIONS

For LED Light Bar with E-Mark



⚠ Caution

These instructions are not intended to take the place of good workshop practices and common sense. Improper repairs can lead to property damage or personal injury!

✂ Tools and supplies needed:

- 10, 13, and 17mm sockets and wrenches
- Cable ties
- Drill with drill bit sizes: 11/32, 3/4, and 25/64 (or 13/32)
- 6 and 8mm Allen sockets (optional)



 **In the box:**

- LED light bar
- Pedestal mounting brackets and hardware
- Slide mounting brackets and hardware
- Wiring harness kit with relay
- Allen keys



STEP 1. Remove light from box, ensure all parts are present.

STEP 2. Connect the light bar to the harness before installing, to ensure proper operation.

STEP 3. Find a suitable mounting location for the light. After finding a proper location, install the light using the provided hardware. There are two different mounting brackets which are further described on the next page. Make sure all the hardware is tight and the light is secure.



STEP 4. Find a suitable location to run the wiring harness that is free from hot or moving parts. Run the harness and secure with cable ties where needed. Any extra lengths of wire can be tied up with cable ties and tucked away where it is not seen; we do not recommend cutting the harness to shorten it, any additional splices or connections can induce moisture and corrosion to the harness.



STEP 5. Run the wires for the switch through the firewall into the passenger compartment.

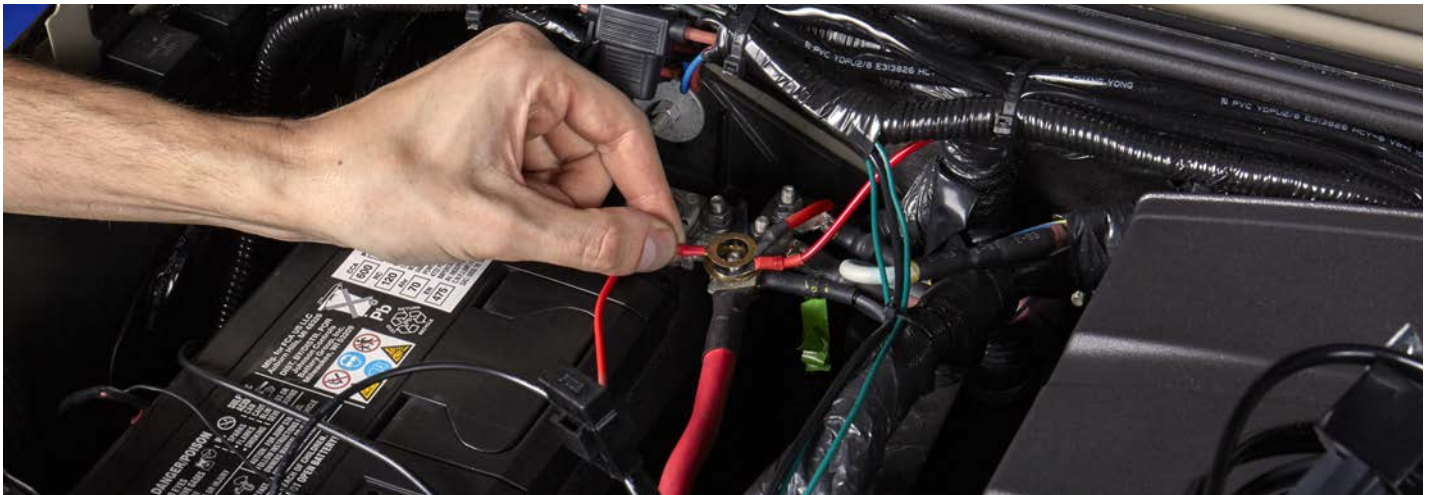


To ease installation, unplug the switch before you send the wires through the firewall. You can send the wire through an existing hole in the firewall, there is usually a rubber grommet in the hole of the firewall, make sure the grommet is still sealed when you are done running the wire.

STEP 6. After your switch harness is inside the vehicle, it is time to find a good location to mount your switch. Most vehicles will have empty switch sockets on the dashboard, they are great locations for your new switch. Once you find your mounting location, ensure there are no important components behind the area you will be installing the switch. Using a $\frac{3}{4}$ " drill bit, drill a hole where you want to mount your switch. Send the wires through the hole from the back, plug them back into the switch and snap the switch into the hole. An alternative option to using our switch is installing a switch panel, which is very helpful if you will be installing multiple accessories.



STEP 7. Now that you have the switch and light properly installed and connected, the final step is to connect the harness to the battery. Connect the ring terminal with the red wire to the positive terminal on the battery. Connect the ring terminal with the black wire to the negative terminal on the battery. Tuck away any remaining loose wires with cable ties.



STEP 8. Confirm operation of light.



MOUNTING BRACKET INSTRUCTIONS: Slide Mounts

STEP 1. Find a suitable location to mount the silver portion of the slide mount. It is recommended to use all the provided slide mounts to ensure the light bar is secure.

STEP 2. Drill holes with a 11/32 drill bit if needed and mount the silver portion onto the vehicle.

STEP 3. Insert the black portion of the slide mount into the space provided on the light bar.



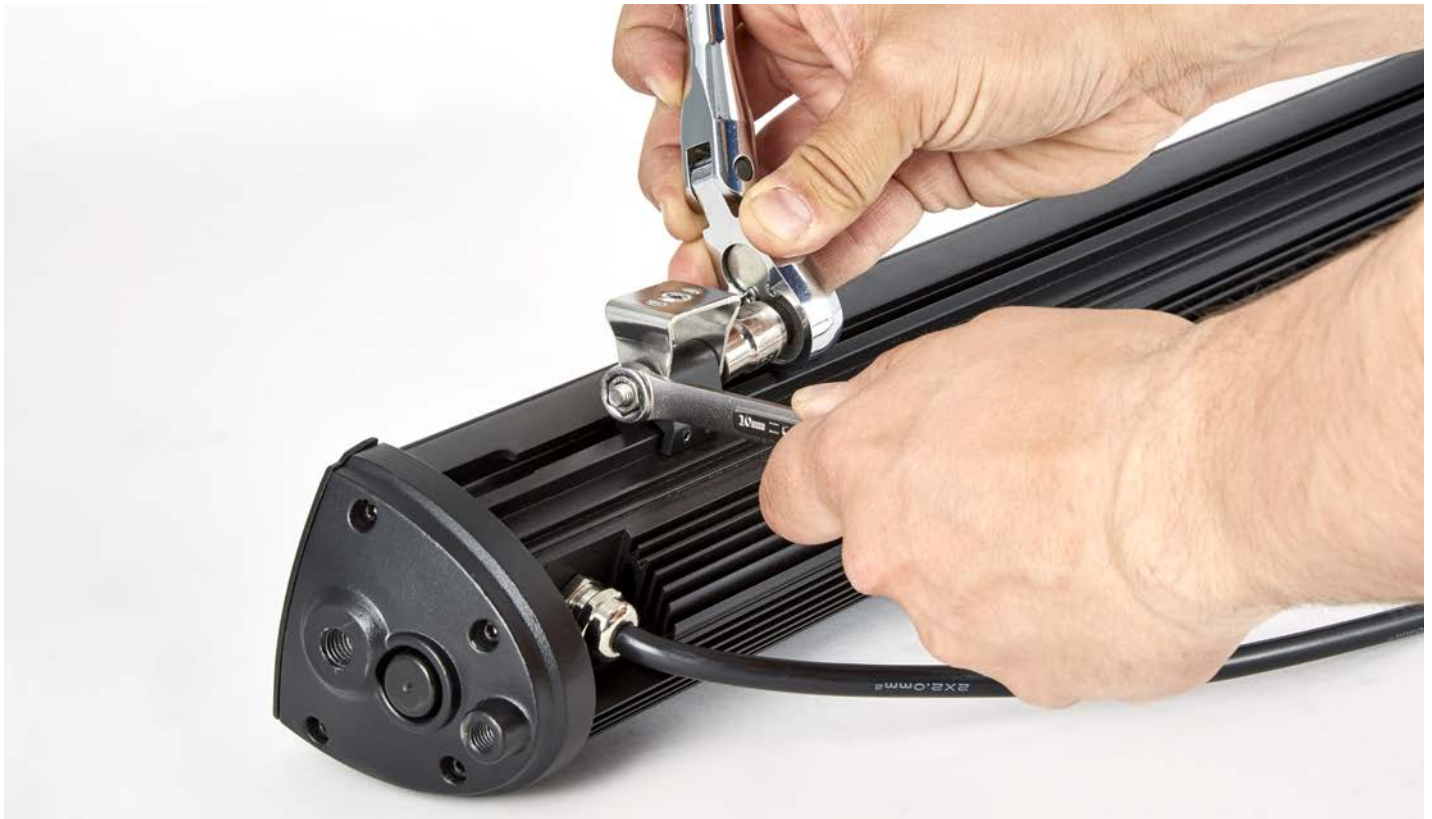
STEP 4. Slide the black portion along the light bar to the desired position.

STEP 5. Tighten the retaining screws on the black portion with the provided Allen key.



STEP 6. Place the light bar over the silver portion of the mount with the black portion sitting inside of the silver mount.

STEP 7. Using the provided hardware, slide the bolts through the mounts and tighten in place. You can loosen these bolts to adjust the angle of the light bar.



STEP 8. Make sure the light is properly installed and the mounts are secure.

MOUNTING BRACKET INSTRUCTIONS: Pedestal Mounts

STEP 1. The pedestal mounts are not side specific, you can switch sides to change the location of the mounting bolts for space requirements.



STEP 2. Install the pedestal mounts to the light bar using the provided hardware. The smaller bolt is installed to the rear of the light and allows for angle adjustment, the larger bolt is installed in the front and secures the light to the bracket.



STEP 3. If drilling is required, mark the holes on both sides before drilling them with the 25/64 or 13/32 drill bit.

STEP 4. If you installed the mounts in the inward style, you will need to install the mounts to the vehicle before attaching the light to the mount.

STEP 5. Bolt down the mounts with the provided hardware.

STEP 6. Loosening the small rear bolt will allow you to adjust the angle of the light bar.



Check out other lights offered in our online store.