

# FL-TM1619-BLK & FL-TM1619-CHR

Led Fog light For Tacoma

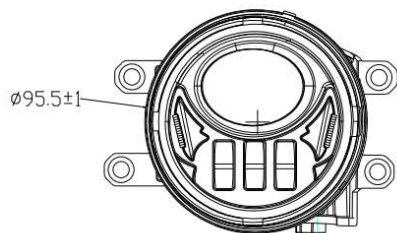
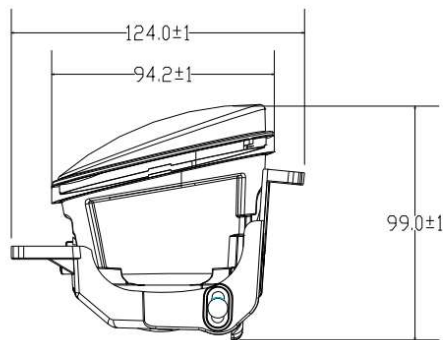
## PRODUCTS PICTURE



## PRODUCT DIMENSIONS

Diameter: 95.5mm/ 3.75 inch

Depth: 99mm/ 3.89 inch



# INSTALLATION INSTRUCTIONS(Examples)

## Pre-Installation Guidelines

1. Read all safety notes and mounting guidelines before installing the product. Verify that all parts listed under “in the box” are present and complete.
2. Verify that all power supply and charging systems comply with the specified voltage limits for the light.
3. Turn off the vehicle and disconnect the battery.

1. Using a ten millimeter to remove two screws and using a flathead turn 90 degrees to remove the plastic piece.



2. Open the car fender to get enough room then you can see the fog light inside.



3. You will find a screw on the right side and loose the screw up to take the factory fog light off.



4. Install the new fog light which is a bracket with two notches on the housing match two notches on the car that it's the correct orientation.



5. Plug in the new head light connector.



6. Tighten the screws on the right top bottom and secure the headlights.



7. Close the car fender and put the screws and a plastic piece back in.



8. Finish and turn on your new headlights to check the functions.



## **FITMENT**

Toyota Tacoma 2016-2019