

# FL-TM0511-BLK & FL-TM0511-CHR

LED FOG LIGHTS FOR 2005~2011 TACOMA

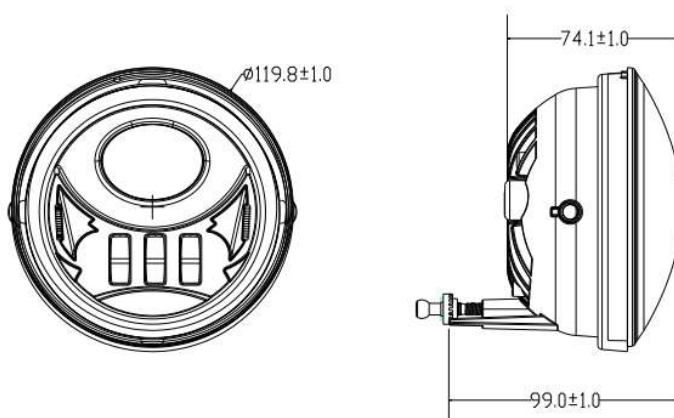
## PRODUCTS PICTURE



## PRODUCT DIMENSIONS

Diameter: 119.8mm/ 4.71 inch

Depth: 74.1mm/ 2.91 inch



## INSTALLATION INSTRUCTIONS(Examples)

### Installation Guidelines

- 1~2、 remove this fender,can see that the fog light is exposed
- 3、 going to be removing the wire harness from the fog light
- 4~5、 There are two clip right here, press hard to release the fixed
- 6、 release the fog light all you need to do is press that in
- 7、 bring the fog light into OEM housing kind of line it up a little bit get this bottom piece in and it should clip into place
- 8、 you have to do is grab the wiring harness and plug it into your OEM harness
- 9、 Put the fender back in





## **FITMENT**

For 2005-2011 Toyota Tacoma

For 2004-2006 Toyota Solara

For 2008-2015 Toyota Sequoia

For Toyota 2007-2013 Tundra

For 2007-2014 Chevy Suburban/Tahoe

For 2007-2013 Chevy Avalanche

For 2010-2013 Chevy Camaro

For 2015-2016 Chevy Colorado

For 2015 Chevy Silverado/GMC Acadia/Yukon/Yukon ATFL0003

## PRODUCT DISPLAY

PLUG TYPE: 9005

