

FL-MS-F150E-DRL-BLK

FOG LED LAMP SQUARE FOR FORD

PRODUCTS PICTURE

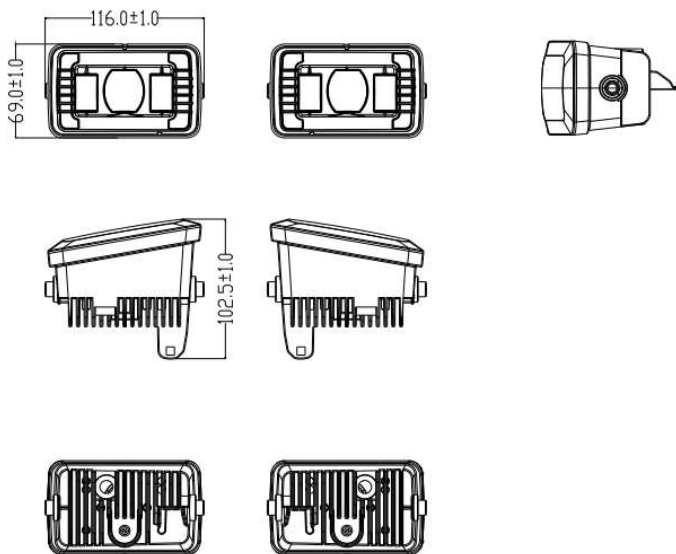


PRODUCT DIMENSIONS

Height: 69mm/ 2.72inch

Width: 116mm/ 4.57 inch

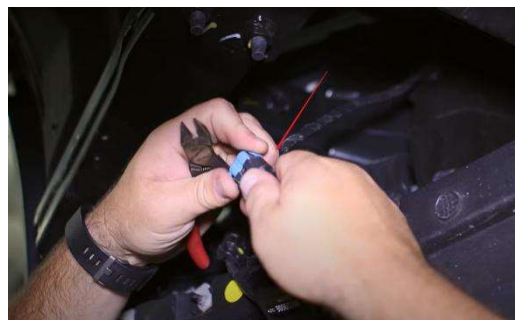
Depth: 102.5mm/ 4.04 inch



INSTALLATION INSTRUCTIONS(Examples)

Installation Guidelines

- 1、 Under the front bumper you can reach your stock fog light harness and unplug the current bulb that is installed.
- 2、 Then grab screwdriver and remove the alignment screw and spring hold in the light housing.
- 3、 Now move out to the front of the truck and use a trim tool to unclip the light housing from the bumper it has one tab on each side and you can pry inward to release it then pull the light out through the front of the bumper.
- 4、 Install the LED fog light in reverse, order feed the harness through the bumper and push the light into the side tabs.
- 5、 Back underneath the truck reinstall the alignment spring and screw then tighten it down until the light is angled how you like.
- 6、 lastly plug in the light into the stock harness and test out your lights to finish the installation.



FITMENT

For Ford F150 2015 2016 2017 2018 2019

PRODUCT DISPLAY

BREATHABLE CAP

PLUG TYPE: 9005/H10

SCREWS FOR INSTALLATION

