

# FL-DR1317A-DRL-BLK

LED FOG LAMP FOR DODGE RAM 1500

## PRODUCTS PICTURE

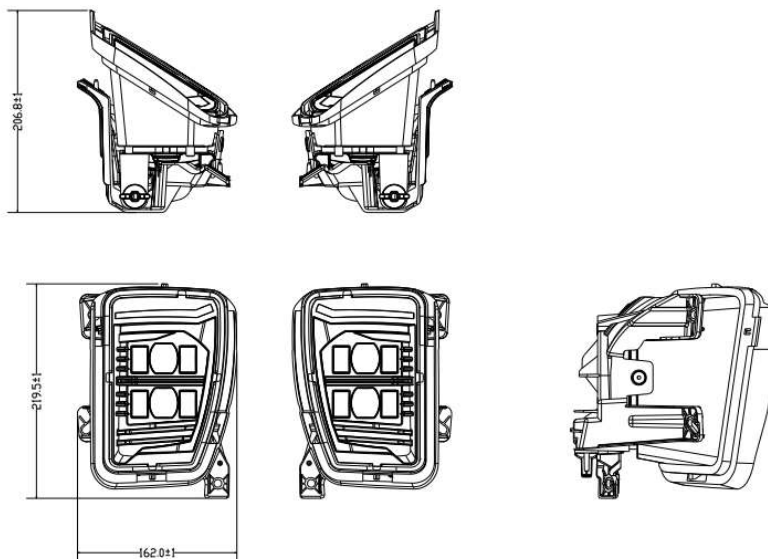


## PRODUCT DIMENSIONS

Height: 219.5mm/ 8.65 inch

Width: 162mm/ 6.38 inch

Depth: 206.8mm/ 8.14 inch



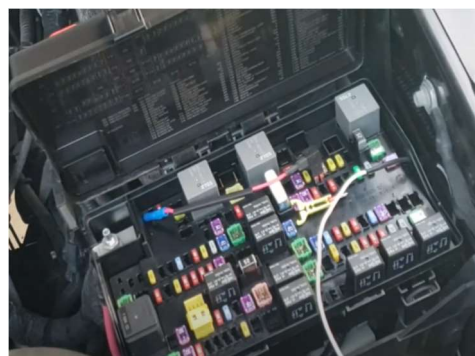
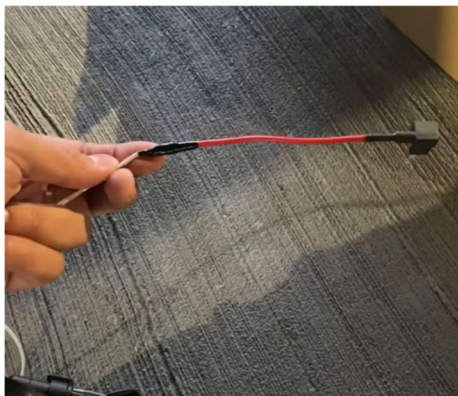
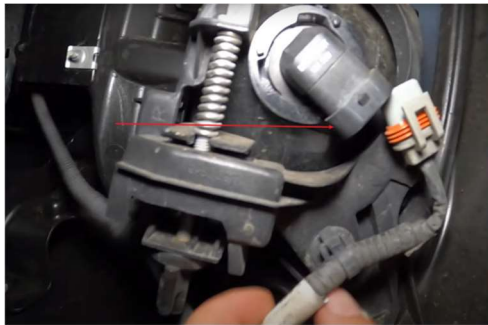
# INSTALLATION INSTRUCTIONS (Examples)

## Installation Guidelines

1-2. Remove the original fog lamps

3-6. Take out the new fog lamp, use the extension wire, connect one end of the day light patch, add fuse plug at the other end, connect to the fuse box

7-8. Fix the new fog lamp in place, plug in the cable harness, check the brightness and screw the bolt



## **FITMENT**

**Compatible with:**

**Dodge Ram 1500 Pickup 2013 2014 2015 2016 2017**

**(REPLACES PART #:68104821AC, 68104820AC**

**RAM 1500:2013-2018**

**RAM 2500:Not Applicable**

**RAM 3500:Not Applicable)**

## **PRODUCT DISPLAY**

**PLUG TYPE: 9005**

