

# FL-CS1618-BLK & FL-CS1618-CHR

## LED FOG LIGHT FOR CHEVY SILVERADO

### PRODUCTS PICTURE

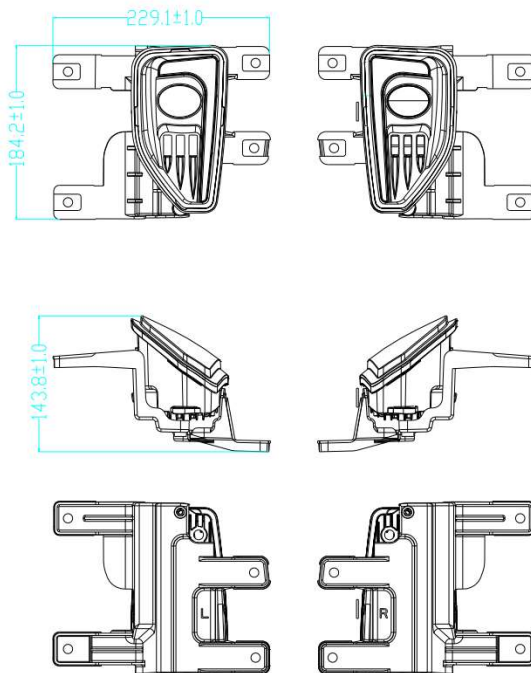


### PRODUCT DIMENSIONS

Height: 184.2mm/ 7.25inch

Width: 229.1mm/ 9.02inch

Depth: 143.8mm/ 5.66inch



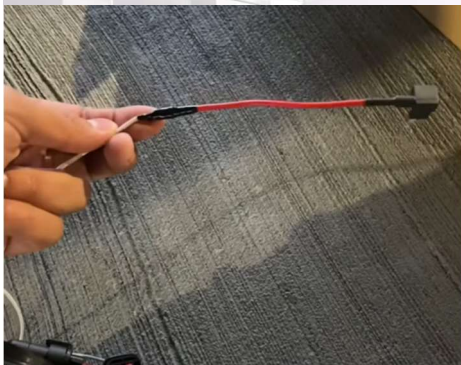
# INSTALLATION INSTRUCTIONS (Examples)

## Installation Guidelines

1-3. Unplug the original light harness, unscrew the fixing bolt and remove the original headlight.



4-8. When you get the fuse joint, you'll also need an extension cable, and 16awg will be enough. The DRL will work just like the real DRL. If you do not want to disturb the fuse connector, you can also splice the yellow wire with the red extension cable in the package to the positive pole of the front position lamp. The DRL only works when the position light is on.

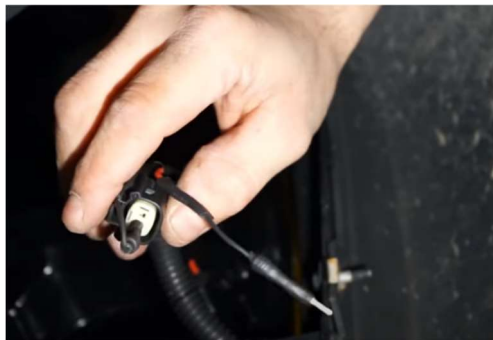


9-10: Connect lamp harness, test brightness, fix lamp bolt.



**Warm prompt:** If the foglight plug does not fit, please refer to the following connection method, but for reference only.

First remove the plug shell of the fog lamp, protect the connector through the heat shrinkable tube, then insert the corresponding positive and negative poles into the port, and finally fix it.



## FITMENT

Compatible with: For 2016-2018 Chevy Silverado 1500 Models Only

## PRODUCT DISPLAY

PLUG TYPE: H11

