



QUALITY... PLAIN & SIMPLE®

Lokar Oval Billet Aluminum Interior Door Handles Installation Instructions

General Installation Notes:

Please read these instructions completely before beginning the installation. If you have any questions please call.

Before beginning the installation, disconnect the negative battery cable and use wheel chocks to block the vehicle's wheels.

We recommend using anti-seize lubricant on all aluminum threads.

The Oval Billet Aluminum Interior Door Handles are designed to work with the Lokar Universal Door Latch Cable Release Kit, which is available separately (part # DLR-2100). These instructions assume you are installing the Lokar Universal Door Latch Cable Release Kit.

Refer to Fig. 1 for the component names.

The steps outlined below represent a typical installation. Your application may require the steps to be followed in a different order, or may require extra steps and test fitments in order to install the door handle and back plate.

Step 1: Determine exactly where you want the door handle to be located on the door panel. Make sure that the cable wire (not included, part of the Cable Release Kit) will have a clear path from the shielded pulley (not included, part of the Cable Release Kit) to the door handle.

The back plate should be attached to the interior structure of the door if possible. The flat edge of the back plate must be towards the handle pivot. Note that the mounting hole is not centered in the door handle. Keep that in mind when deciding exactly where to position the back plate.

Verify that the door handle, back plate and cable wire will not interfere with any part of the window mechanism with the window raised, lowered, or in between. Verify that the door handle back plate will physically fit in the location you have chosen.

Step 2: Install the back plate into the door, using sheet metal screws, machine screws with locking nuts, or by welding the back plate in place. Make sure that the flat edge of the back plate is facing towards the handle pivot point.

Lokar Oval Billet Aluminum Interior Door Handles Installation Instructions

Building American Quality... With A Lifetime Warranty!®

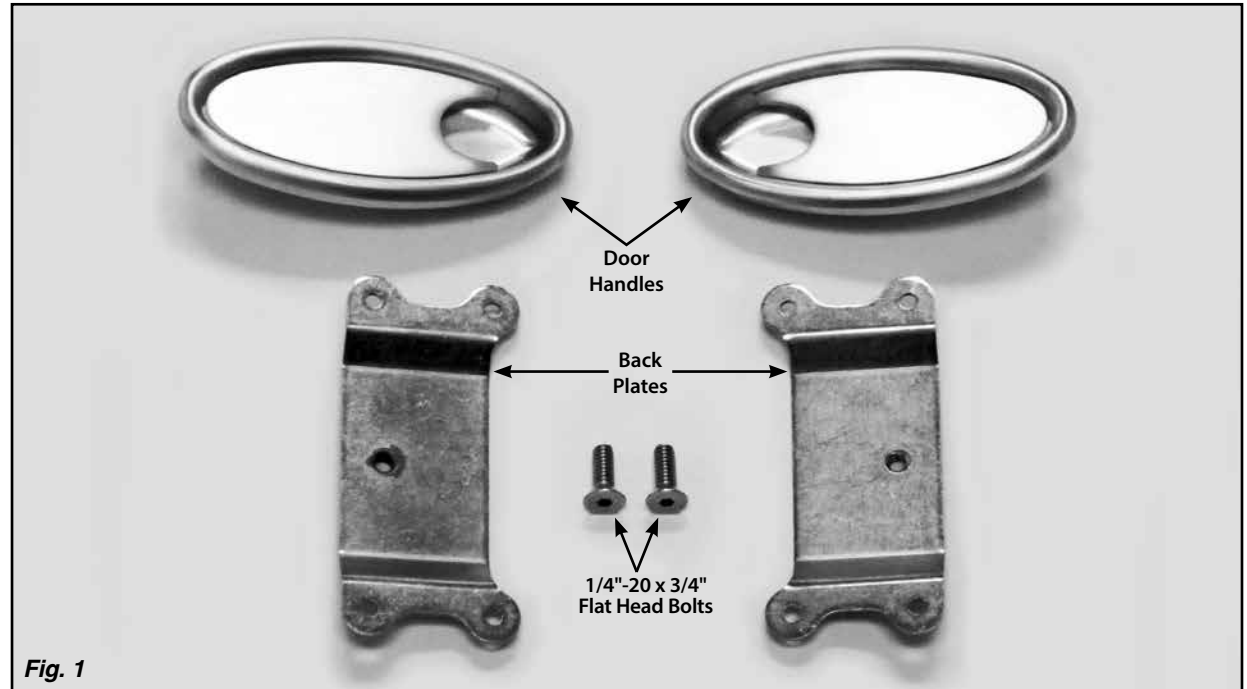


Fig. 1

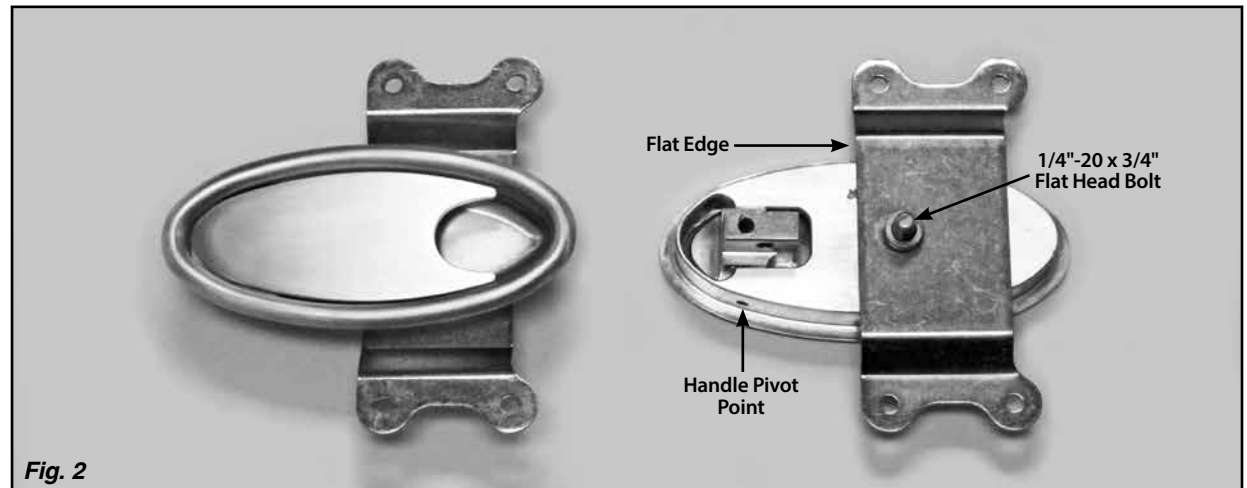


Fig. 2

Lokar Oval Billet Aluminum Interior Door Handles Installation Instructions

Step 3: Take measurements on your door for the location of the threaded hole in the back plate. Transfer those measurements to the interior door panel, and mark the location of the threaded hole onto the interior door panel.

Step 4: Measure the ovals on the paper templates to make sure they match the dimensions listed on the template. Cut out the ovals on the paper templates (cut along the **solid** lines) and use them to mark the door panels for cutting. Cut the openings in the door panels, making sure you cut inside the lines you traced.

Step 5: Position the interior door panel on the door. Insert the door handle into the hole, and install the provided 1/4"-20 x 3/4" flat head bolt through the door handle and into the back plate. Tighten using a 5/32" ball-end Allen wrench (not included). **Fig. 2**

Step 6: With the cable wire (not included) attached to the door latch (not included), route the cable wire around the shielded pulley (not included) and to the door handle. There are three possible holes where you can attach the cable end assembly (not included) to the door handle. **Fig. 3** Determine which one will give you the straightest pull on the cable wire, and attach the cable end assembly to that hole.

Step 7: Adjust the cable end assembly so that you have approximately 1/4" of thread showing. **Fig. 4**

Step 8: Pull all the slack out of the cable wire, and cut it so that approximately 1" of the cable wire can be inserted inside the cable end assembly.

Step 9: Insert the end of the cable wire into the cable end assembly. Pull all of the slack out of the cable wire and tighten the set screw on the cable end assembly.

Step 10: Check operation of the door handle. If it does not open the door, you may need to put some tension on the cable wire in order for it to operate. You can tighten the cable wire by separating the ball stud from the cable end assembly and shortening the cable end assembly. **Fig. 4** The cable wire may be cut shorter if required in order to get the correct amount of tension. Getting the cable wire adjustment correct may take some trial and error, as different door latches require different amounts of travel in the release mechanism.

See **Fig. 5** for a finished installation.

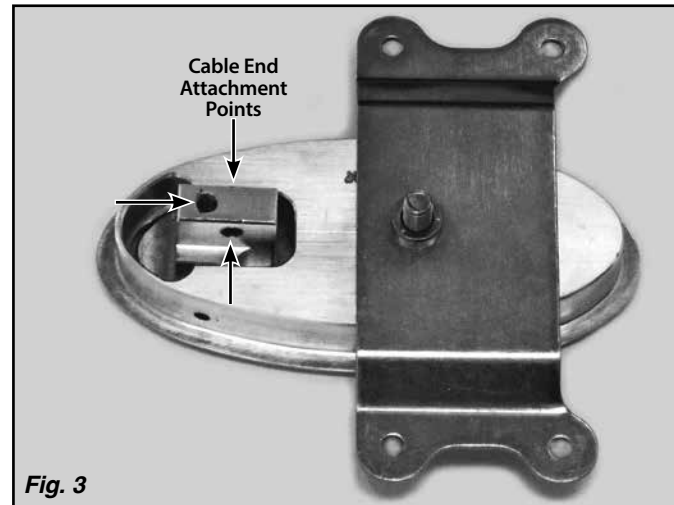


Fig. 3

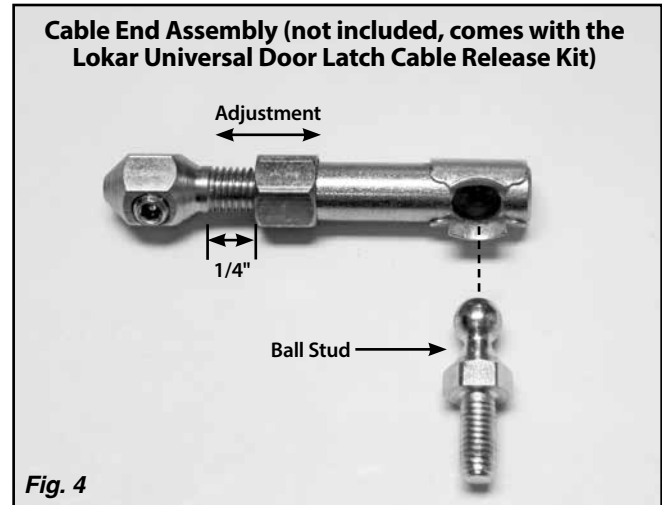
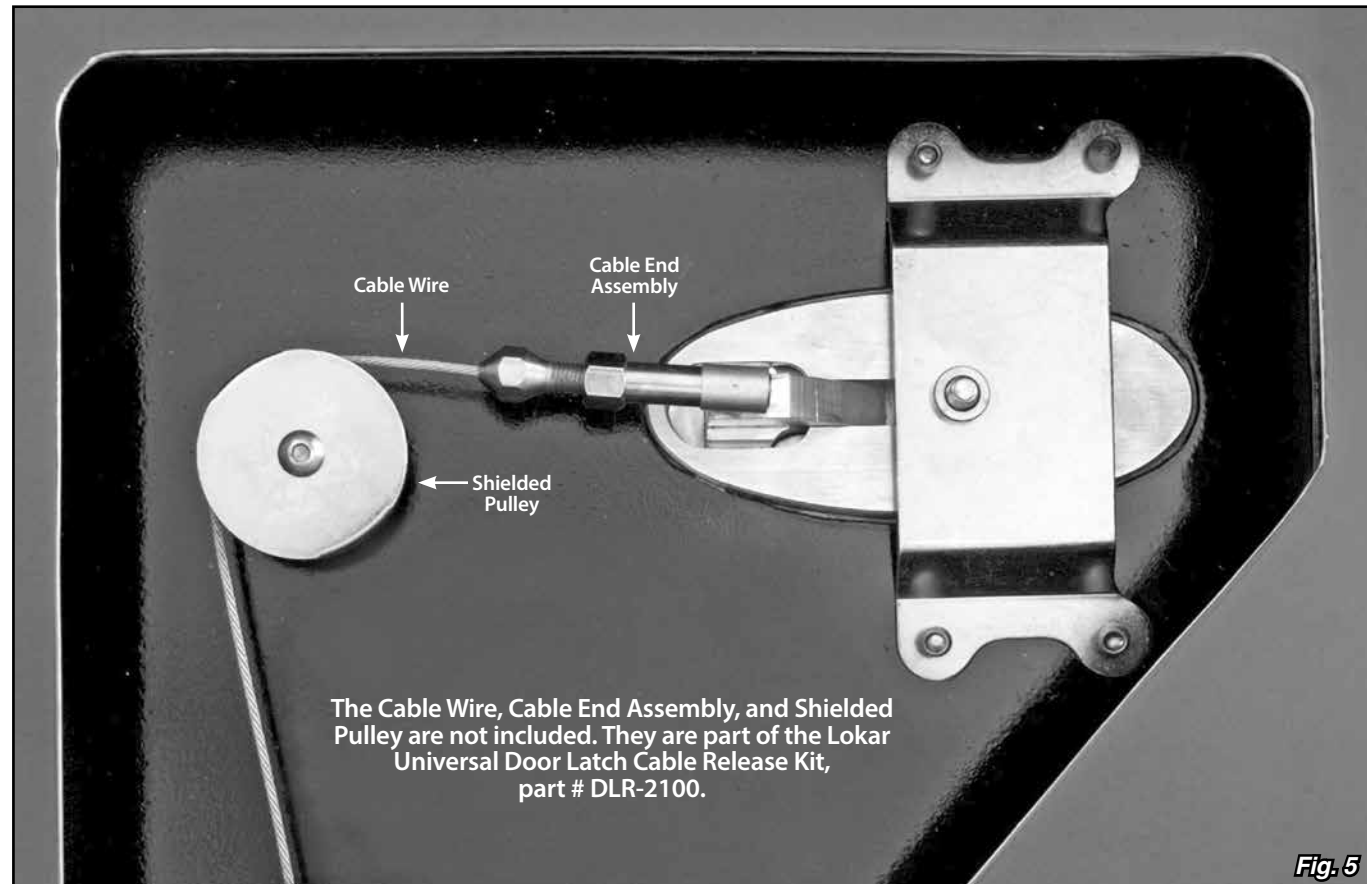


Fig. 4



The Cable Wire, Cable End Assembly, and Shielded Pulley are not included. They are part of the Lokar Universal Door Latch Cable Release Kit, part # DLR-2100.

Fig. 5