



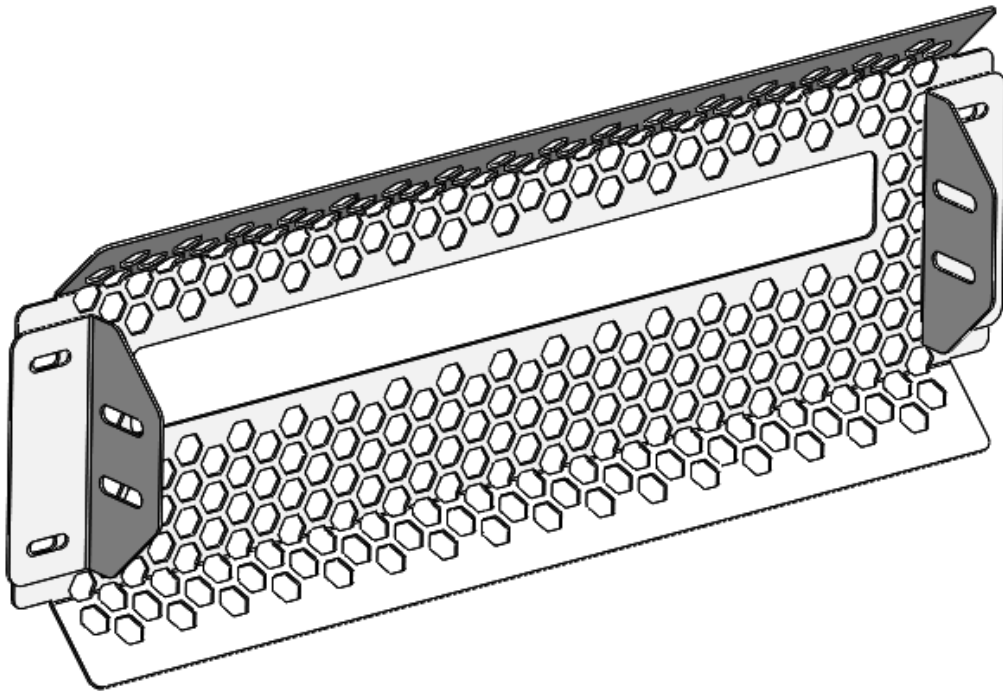
DESTROYER SERIES

TRUCK

FRONT CENTER 20" LIGHT
BAR SCREEN



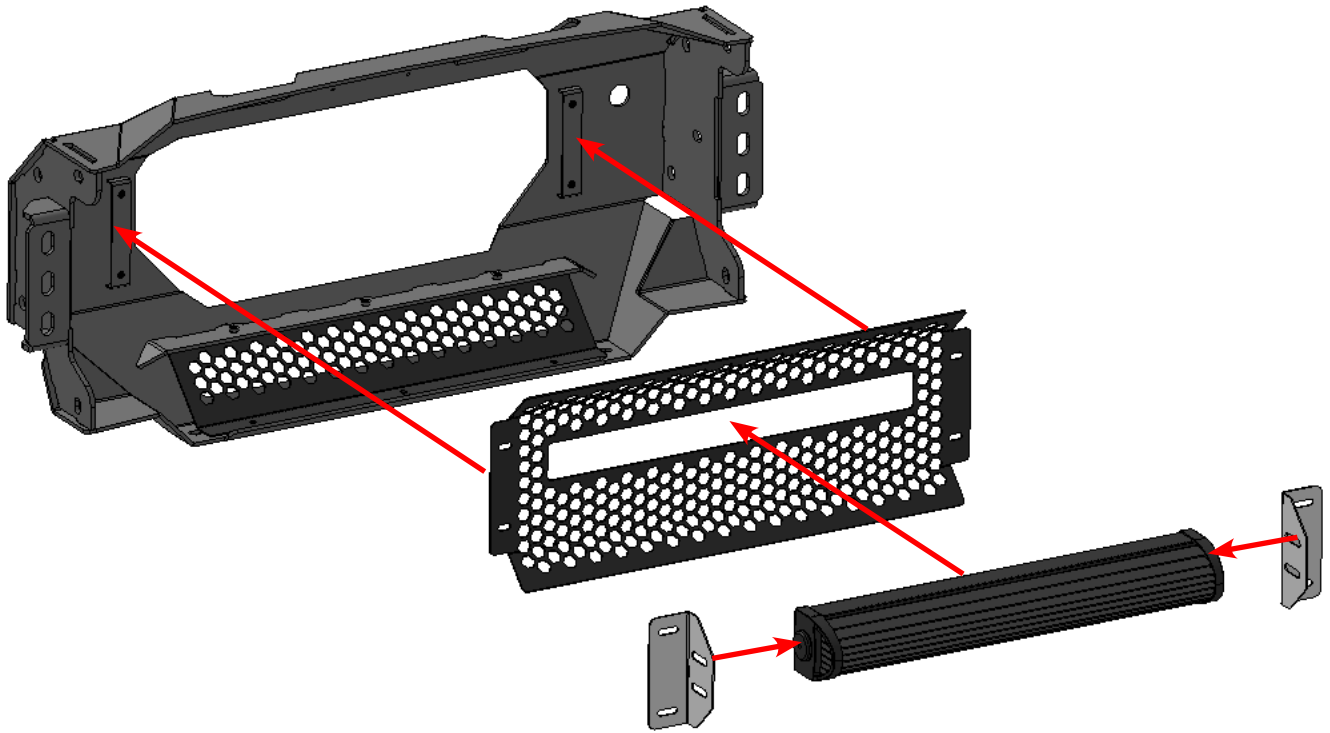
VERIFY YOU HAVE ALL THE COMPONENTS BEFORE STARTING THE INSTALLATION. REFER TO THE ENGINEERING DRAWINGS AT THE END OF THIS DOCUMENT FOR A COMPLETE PARTS LIST



Loosely install your 20" LED Light Bar to the two Light Mount Brackets using the hardware that was provided with your LED Light.

Loosely assemble the LED Light Bar and Light Mount Brackets to the tabs on the inside of the Bumper Center using Ø1/4" Button Head Screws provided with your bumper. Your Light Mount Screen will sandwich between the Bumper and Light Mount Brackets.

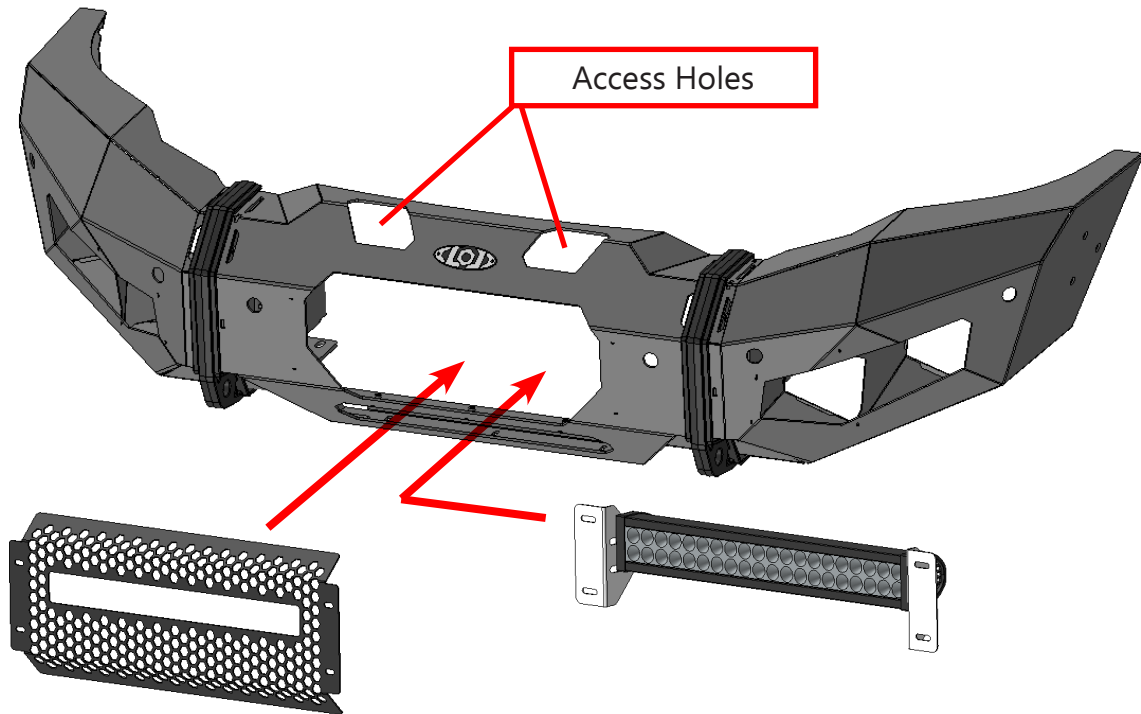
Be sure to adjust the LED Light Bar and Screen so they are centered. Once everything is in the correct position, tighten all the fasteners securely.



Alternative Installation:

Depending on your truck, you can install the Front Light Mount after the bumper is already installed on your truck.

Remove the Front Screen that came with your bumper. Then install the Front Light Mount by carefully inserting LED light bar and Light Mount Brackets thru the hole. This will take a bit of maneuvering. Set the LED light bar in place then insert the Front Light Mount Screen thru the hole in same manner. Then using the access holes in the top of the bumper, secure the LED light bar and the Front Light Mount Screen securely.

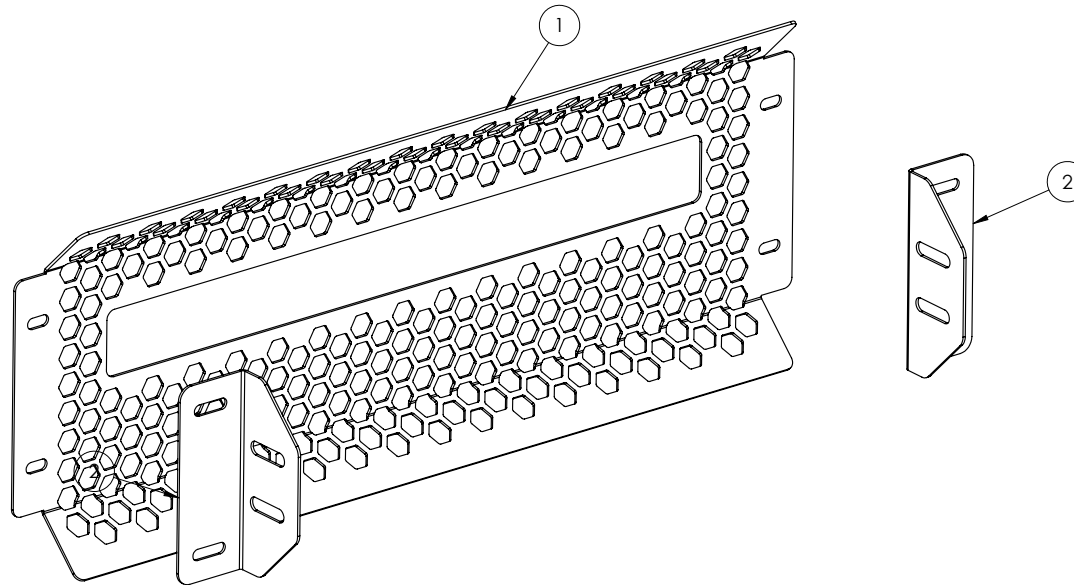


Maintenance

- Periodically check and re-tighten all fasteners.
-
- Periodically check your product for scratches, dings, or rust spots which can happen over time or after heavy use. It is important to address these areas as soon as possible to prevent rust and corrosion from spreading. We recommend using Rustoleum® brand Black Semi-Gloss Protective Enamel (oil based). Apply using a foam brush by dabbing to match the powder coat texture.




ITEM NO.	PART NUMBER	DESCRIPTION	QTY.
1	2MLM2020-01	FRONT LIGHT MOUNT SCREEN	1
2	2MLM2020-02	LIGHT MOUNT BRACKET	2



NOTES:

1. MLM2020 = BARE STEEL OPTION
2. MLM2021 = BLACK POWDER COAT

UNLESS OTHERWISE SPECIFIED:		NAME	DATE	
DIMENSIONS ARE IN INCHES TOLERANCES: ±0.010 ANGULAR: MACH±1° TWO PLACE DECIMAL ±0.015 THREE PLACE DECIMAL ±0.005		DRAWN	MCH 6/15/2021	
PROPRIETARY AND CONFIDENTIAL THE INFORMATION CONTAINED IN THIS DRAWING IS THE SOLE PROPERTY OF LOD LLC. ANY REPRODUCTION IN PART OR AS A WHOLE WITHOUT THE WRITTEN PERMISSION OF LOD LLC IS PROHIBITED.		CHECKED		DESCRIPTION: DESTROYER 20" LIGHT BAR CENTER SCREEN
		ENG APPR.		
		MFG APPR.		
		MATERIAL:	N/A	
		FINISH:	SEE NOTES	DWG. NO. MLM2020 MLM2021
		ECO:	-	REV A
		SCALE: 1:3		SHEET SIZE: B
				SHEET 1 OF 1



TRUCK
DESTROYER SERIES
FRONT CENTER 20" LIGHT
BAR SCREEN

SHIPPING SHEET

Packaged by:

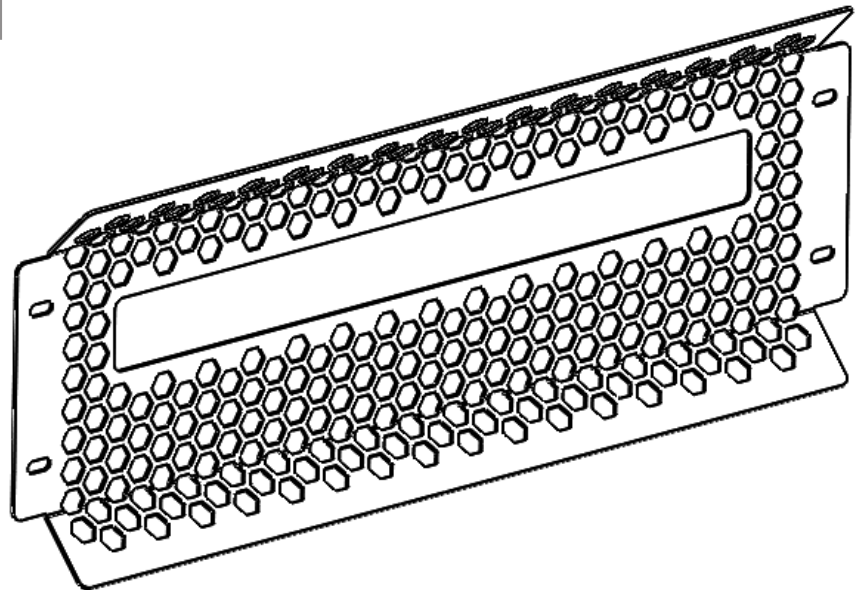
On:



INSTRUCTION
SHEET



FRONT LIGHT MOUNT SCREEN
2MLM2020-01
(x1)



LIGHT MOUNT BRACKET
2MLM2020-02
(x2)

