



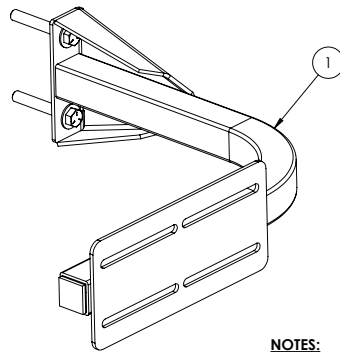
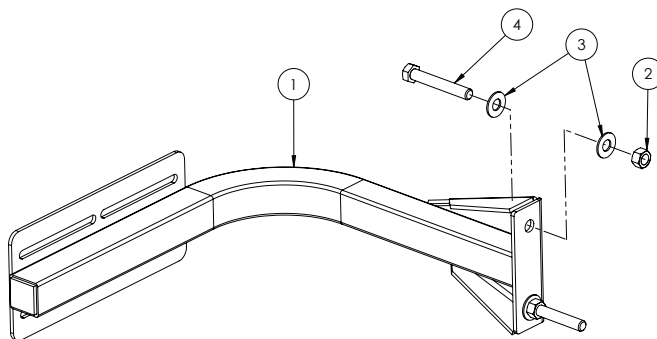
**SIGNATURE SERIES**



**ROTOPAX MOUNTS**

**\*PLEASE READ THROUGH THE INSTRUCTIONS BEFORE BEGINNING ANY PART OF THE INSTALLATION PROCESS\***

ITEM NO.	PART NUMBER	DESCRIPTION	QTY.
1	4JRP9600-01	TJ G2 SIGNATURE ROTOPAX MOUNT	2
2	HN3816ZPGR5	HEX NUT 3/8-16 ZINC PLATE GR5	4
3	FW3814ZP	FLAT WASHER Ø3/8" X .875 ZINC PLATE	8
4	HB381640ZPGR5	HEX BOLT 3/8-16 X 2.50 ZINC PLATE GR5	4



**NOTES:**

1. JRP9600 = BARE STEEL OPTION
2. JRP9601 = BLACK POWDER COAT OPTION

UNLESS OTHERWISE SPECIFIED:		NAME	DATE	LOD LLC.
DIMENSIONS ARE IN INCHES		DRAWN	MCH	
TOLERANCES: ±0.010		CHECKED		DESCRIPTION: TJ G2 SIGNATURE ROTOPAX MOUNT
ANGULAR: MACH1*		ENG APPR.		
TWO PLACE DECIMAL: ±0.015		MFG APPR.		
THREE PLACE DECIMAL: ±0.005				
<b>PROPRIETARY AND CONFIDENTIAL</b>		MATERIAL:		
THE INFORMATION CONTAINED IN THIS DRAWING IS THE SOLE PROPERTY OF LOD LLC. ANY REPRODUCTION IN PART OR AS A WHOLE WITHOUT THE WRITTEN PERMISSION OF LOD LLC IS PROHIBITED.		FINISH:	SEE NOTES	
		ECC:	-	
				DWG. NO. JRP9600 JRP9601
				REV A
				SCALE: 1:3 SHEET SIZE: B SHEET 1 OF 1



**TJ SIGNATURE SERIES**

Rotopax Mounts

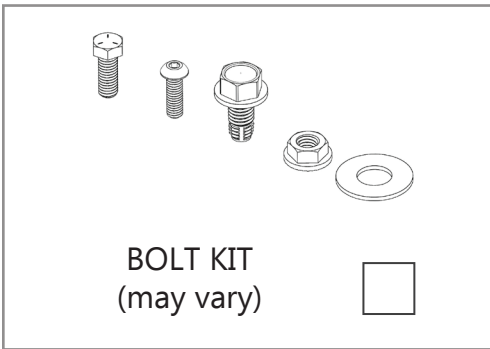
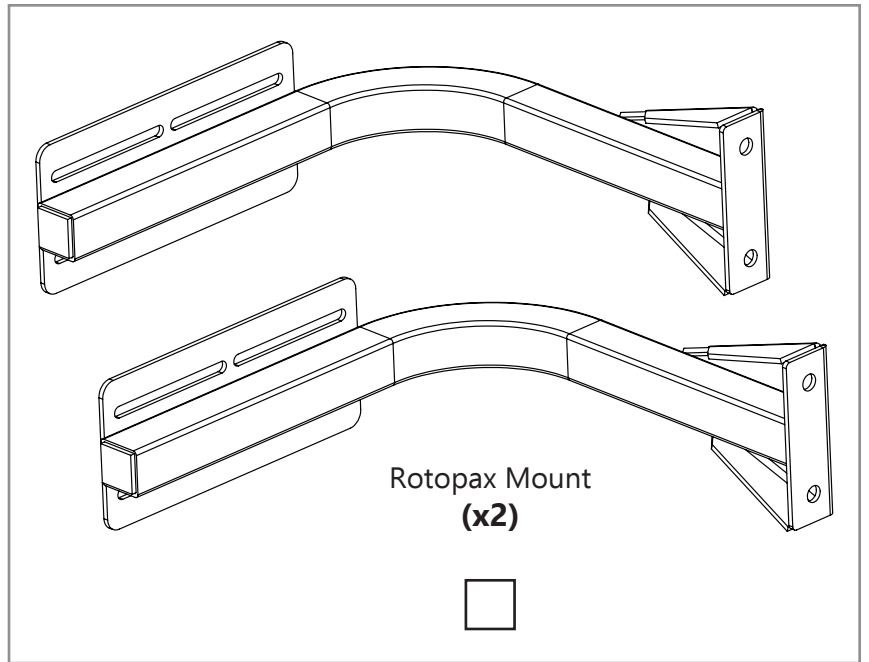
SHIPPING SHEET

Packaged by:

\_\_\_\_\_

On:

\_\_\_\_\_





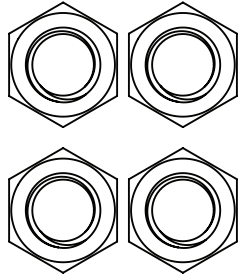
**TJ SIGNATURE SERIES**  
Rotopax Mounts  
Bolt Kit

Packaged by:

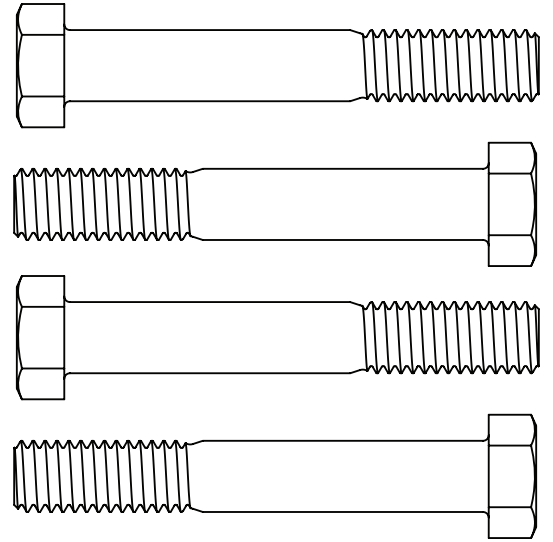
\_\_\_\_\_

On:

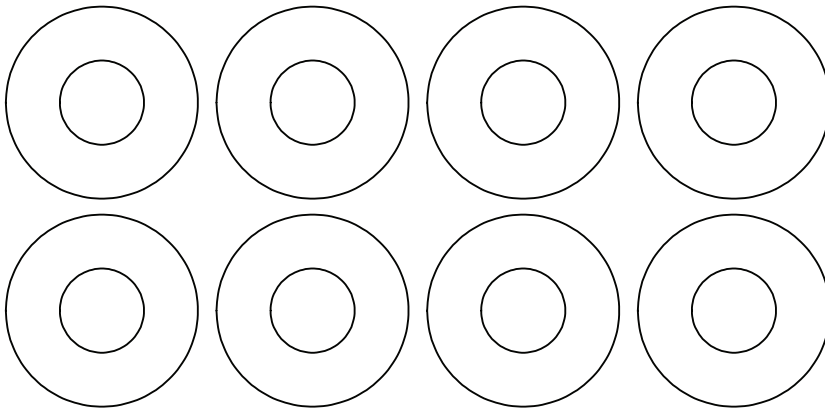
\_\_\_\_\_



Hex Nut  
3/8"-16  
**(x4)**



Hex Bolt  
3/8"-16 x 2.5"  
**(x4)**



Flat Washer 3/8"  
**(x8)**

