

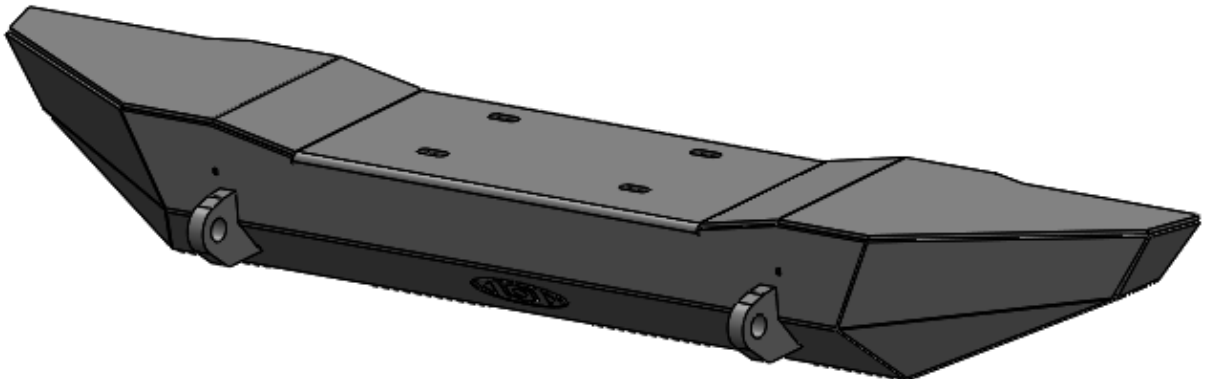
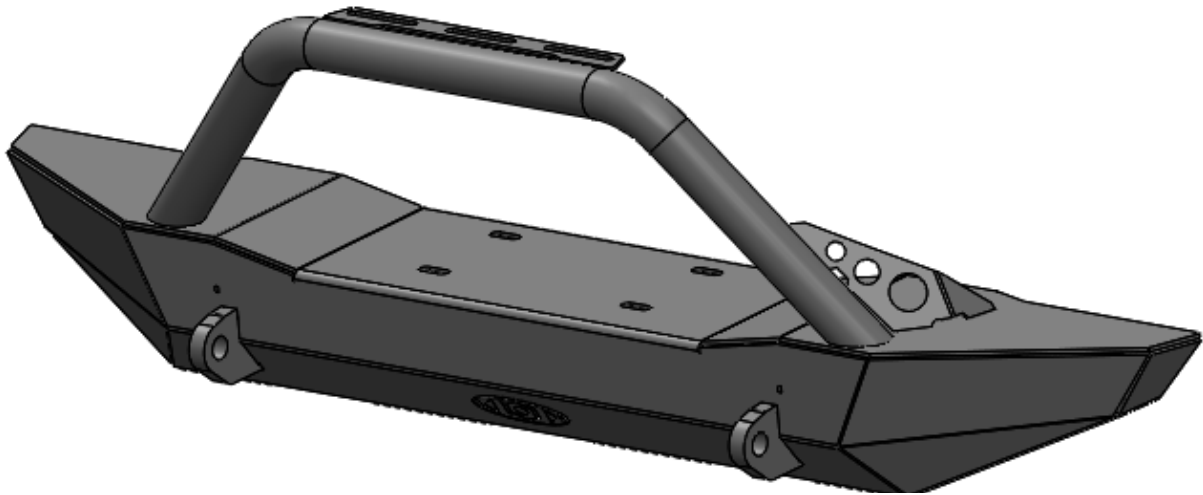


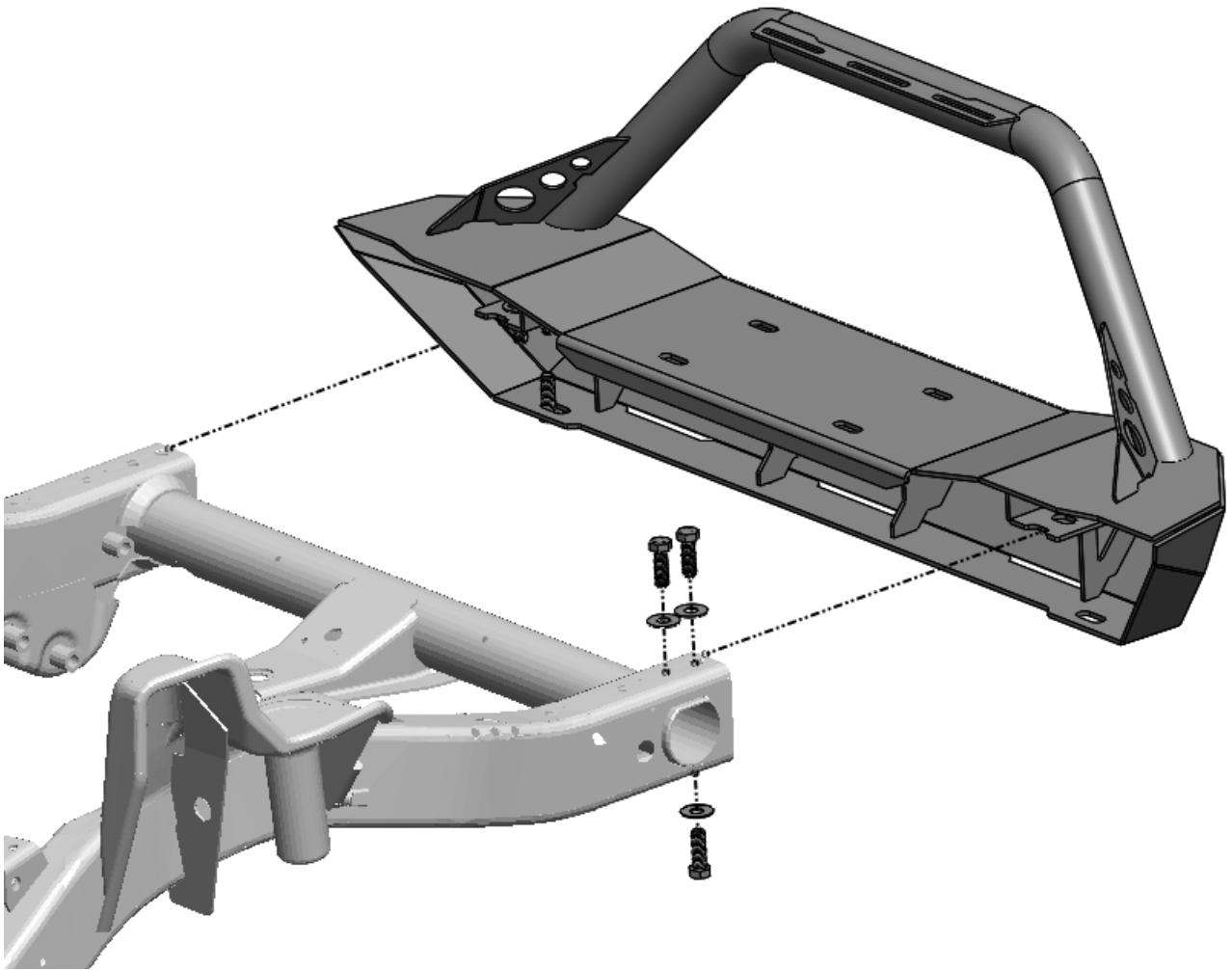
DESTROYER SERIES

TJ LJ YJ

JEEP TJ/LJ/YJ DESTROYER
FRONT BUMPER

***VERIFY YOU HAVE ALL THE COMPONENTS BEFORE STARTING THE INSTALLATION. REFER TO THE
ENGINEERING DRAWINGS AT THE END OF THIS DOCUMENT FOR A COMPLETE PARTS LIST***





Mount your Destroyer Front Bumper to the original mounting locations on your frame using the provided hardware. If you are installing a winch, do this before mounting your bumper on the frame.

****Maintenance****

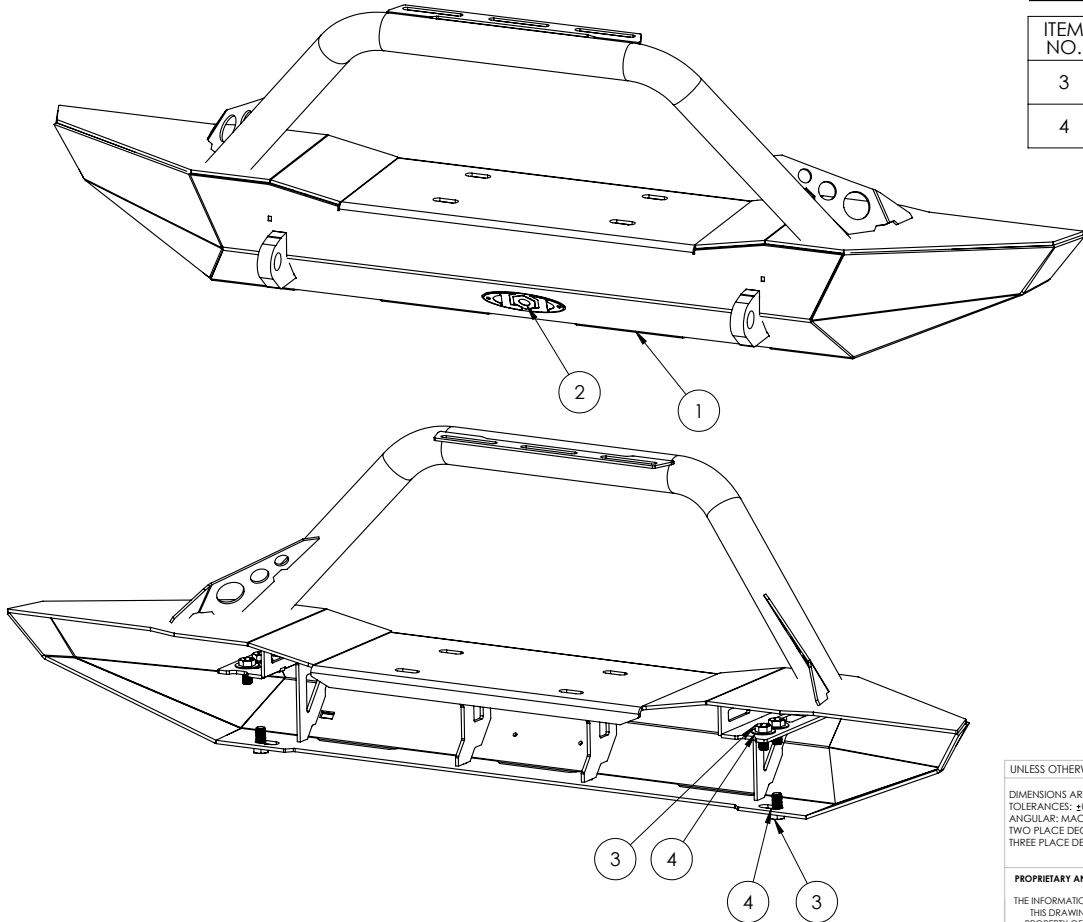
- Periodically check and re-tighten all fasteners.
- Periodically check your Destroyer Front Bumper for scratches or dings which can happen over time or after heavy use or highway driving. It is important to address these areas as soon as possible to prevent flaking and corrosion or rust from spreading. We recommend using Rustoleum® brand Black Semi-Gloss Protective Enamel (oil based). Remove loose powder coating, sand the area and clean using alcohol. Apply using a foam brush by dabbing to match the powder coat texture.



ITEM NO.	PART NUMBER	DESCRIPTION	Default/QTY.
1	4JFB9674-01	TJ DESTROYER FULL WIDTH FRONT BUMPER W/BULL BAR	1
2	LOGO1001	DESTROYER LOGO - EMBOSSED	1

BOLT KIT

ITEM NO.	PART NUMBER	DESCRIPTION	Default/QTY.
3	HB501316ZPGR5	HEX BOLT 1/2-13 X 1.00 HEX BOLT ZINC PLATE GR5	6
4	FW4318ZP	FLAT WASHER Ø7/16 X 1.25" ZINC PLATED	6




NOTES:

1. JFB9674 = BARE STEEL OPTION
2. JFB9675 = BLACK POWDER COAT OPTION
3. WIEGHT = APPROX 66 LBS

UNLESS OTHERWISE SPECIFIED:
 DIMENSIONS ARE IN INCHES
 TOLERANCES: ±0.010
 ANGULAR: MACH±1°
 TWO PLACE DECIMAL ±0.015
 THREE PLACE DECIMAL ±0.005

PROPRIETARY AND CONFIDENTIAL
 THE INFORMATION CONTAINED IN THIS DRAWING IS THE SOLE PROPERTY OF LOD LLC. ANY REPRODUCTION IN PART OR AS A WHOLE WITHOUT THE WRITTEN PERMISSION OF LOD LLC IS PROHIBITED.

NAME	DATE
DRAWN MCH	4/5/2021
CHECKED	
ENG APPR.	
MFG APPR.	

LOD LLC.		
DESCRIPTION: JEEP YJ/TJ/LJ DESTROYER FULL WIDTH FRONT BUMPER W/BULL BAR		
DWG. NO.	JFB9674 JFB9675	REV A
SCALE: 1:6	SHEET SIZE: B	SHEET 1 OF 2

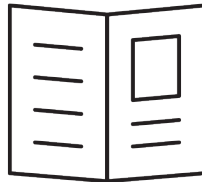


TJ/LJ/YJ Jeep
DESTROYER SERIES
 JEEP TJ/YJ DESTROYER
 FRONT BUMPER

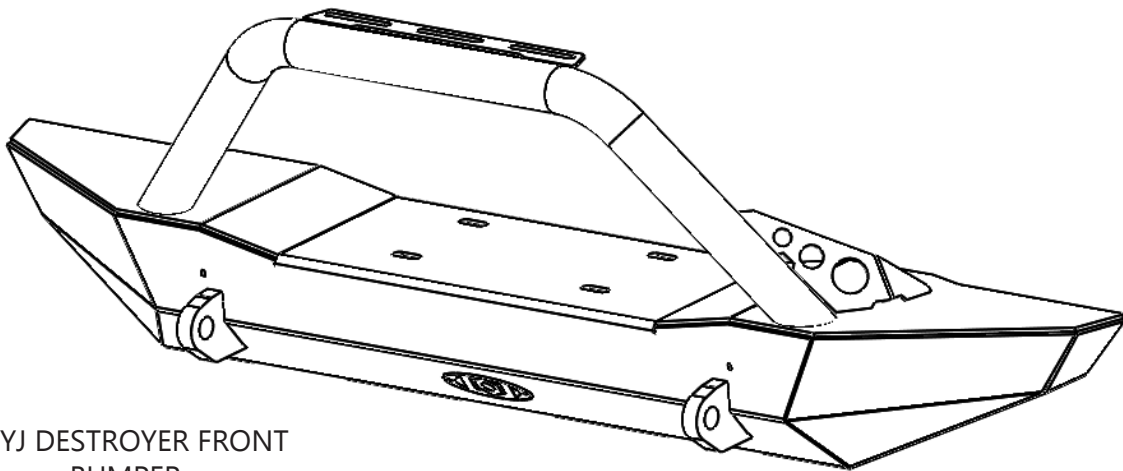
SHIPPING SHEET

Packaged by:

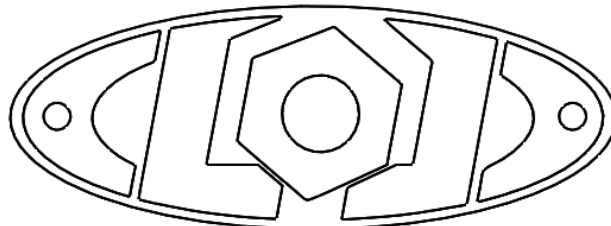
On:



INSTRUCTION
 SHEET



TJ/YJ DESTROYER FRONT
 BUMPER
 (STYLE MAY VARY)
(x1)



PACKAGED SEPERATE IF BUMPER IS BARE STEEL

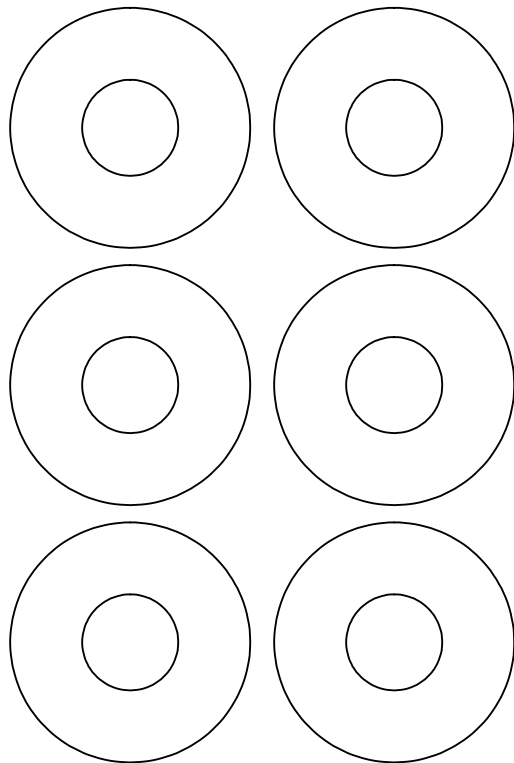
LOD LOGO
(x1)



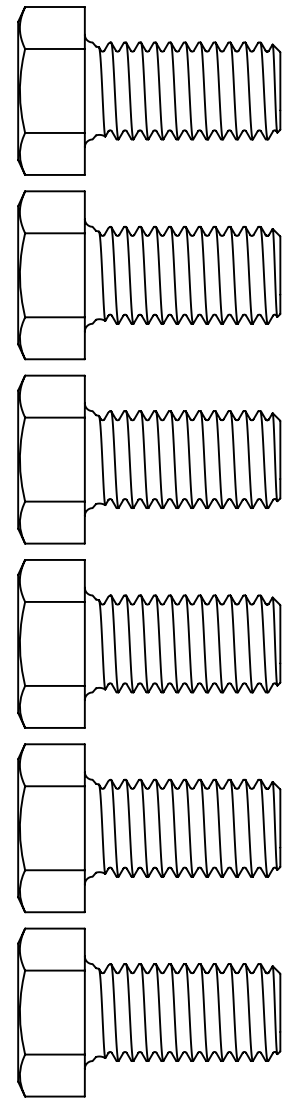


TJ/LJ/YJ Jeep
DESTROYER SERIES
JEEP TJ/YJ DESTROYER
FRONT BUMPER
BOLT KIT

Packaged by:



FLAT WASHER
7/16 X 1.25
(x6)



HEX BOLT 1/2-13 X 1.00
(x6)

