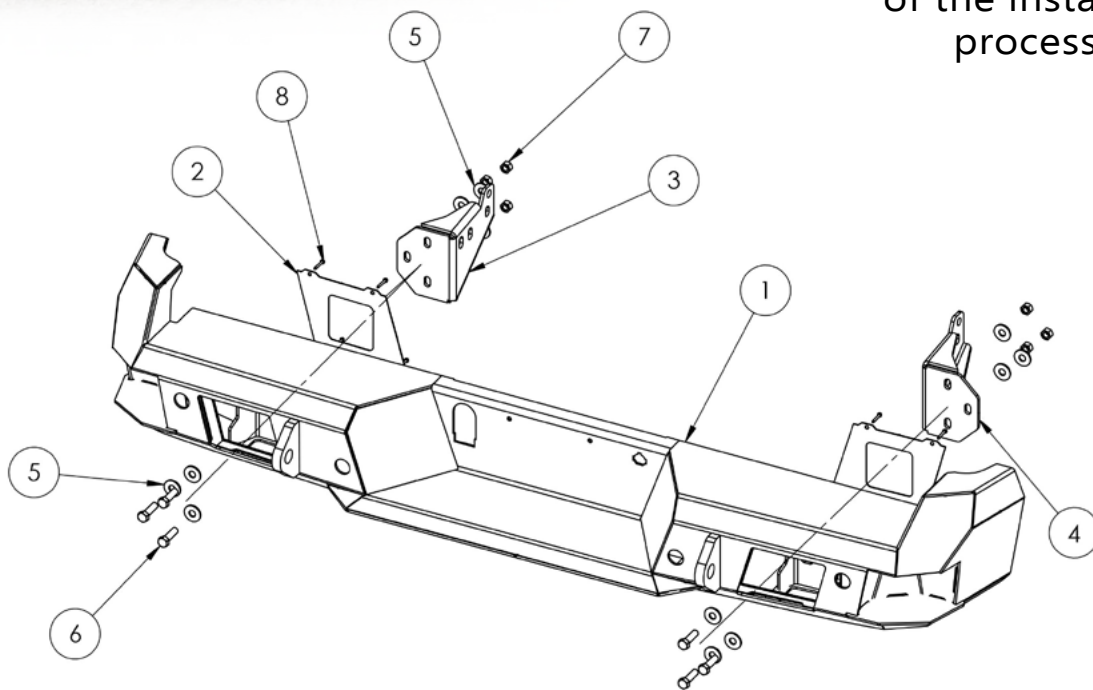




SIGNATURE SERIES
**2017 F-250 FORD
 SUPERDUTY**
 REAR BUMPER

**INSTALLATION
 INSTRUCTIONS**

** Please read through the instructions and check all parts before beginning any part of the installation process **



Fabricated Parts List

ITEM NO.	PART NUMBER	DESCRIPTION	QTY.
1	4FRB1701	Ford Rear Bumper	1
2	DRL1005-01	Light Bezels	2
3	2FRB1701-19D	Driverside Mount	1
4	2FRB1701-19P	Passengerside Mount	1

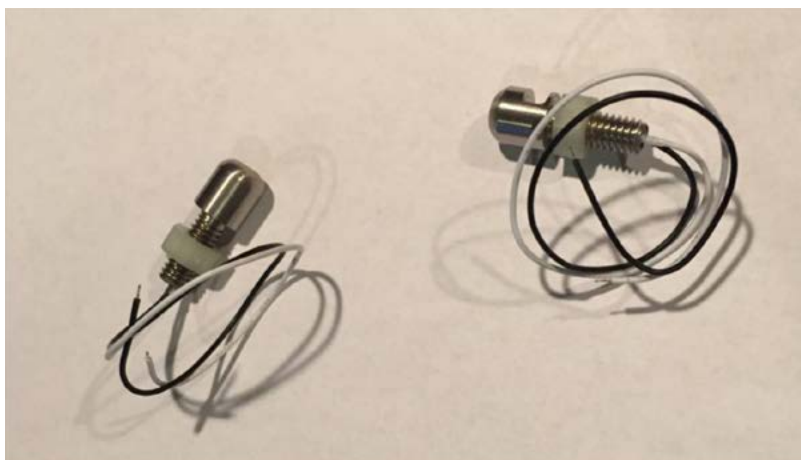
Hardware List

ITEM NO.	PART NUMBER	DESCRIPTION	QTY.
5	Preferred Wide FW 0.5	1/2" Washer	12
6	HBOLT 0.5000-20x1.75x1.25-N	1/2 x 13 Hex Bolt	6
7	HNUT 0.5000-13-D-N	1/2 x 13 Hex Nut	6
8	BHCS .25-28	1/4-28 Button Head Cap Screw	8

1.



Lay under the truck and look up under the rear bumper, you will see some of the mounting bolts.



WARNING: The Iod bumper does not support the factory license plate lights. We offer replacement bolt lights.

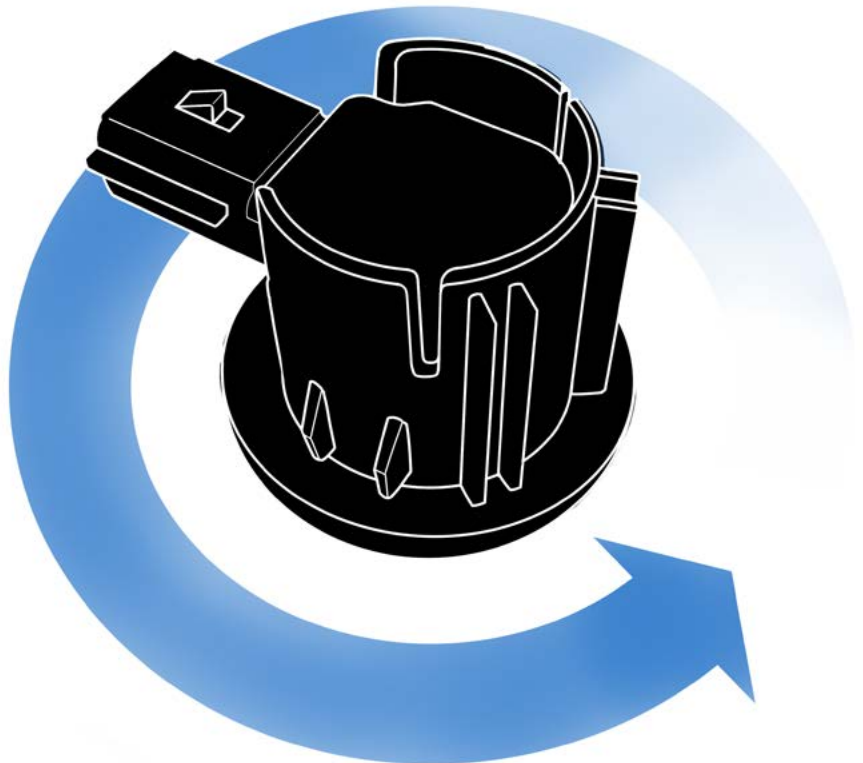


Remove the mounting bolts/studs underneath the factory bumper.

3.

If you have sensors

Note the direction the sensor plug is facing relative to the bumper. You will be installing the sensors facing the same way in the new bumper.



4.



Unbolt the middle support bolts that hold the bumper to the hitch. The bumper may be removed after this.

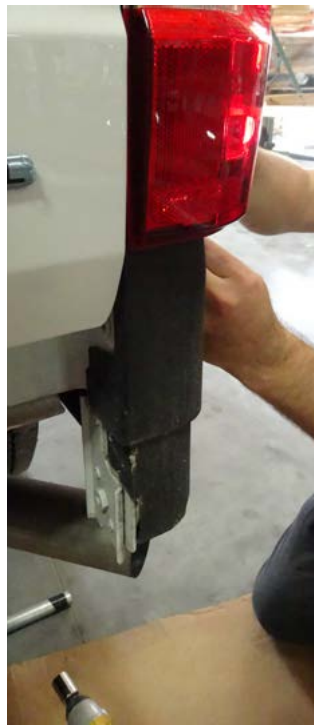
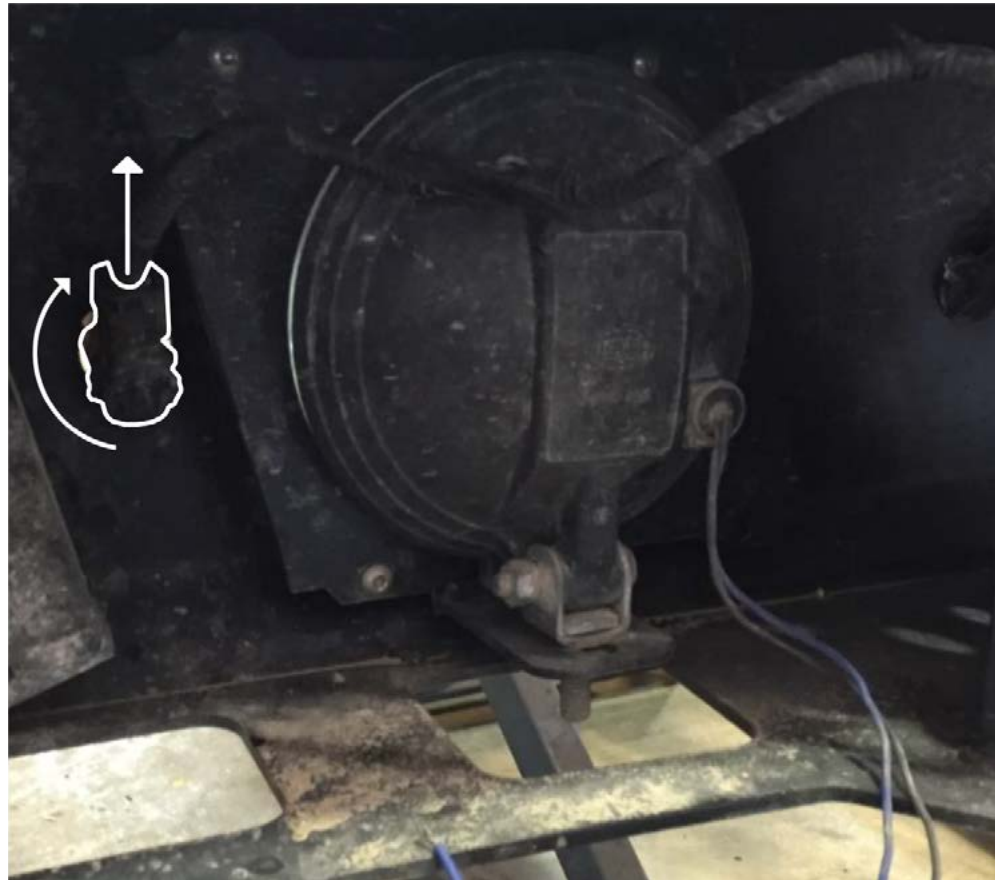
5.



After bumper removal, you will have access to the stock mounts in order to remove them.

6.

Install the rear light bezels and lights or place blank bezels to cover opening. we recommend using caulking around the sensor housing to fix it in place. make sure the sensors are oriented so that they do not interfere with the light bezels (we oriented ours vertically with the plug side facing up.)



Remove the plastic corner trim pieces, carefully removing the fasteners.



8.

Install the mounts, lining up the holes and the flat face with the end of the frame rails. Leave them loosely attached, so that you may adjust them.



9.

The bolts circled **MUST** be placed into the bumper before the lights are placed into the bumper and it is attached to the mounts.

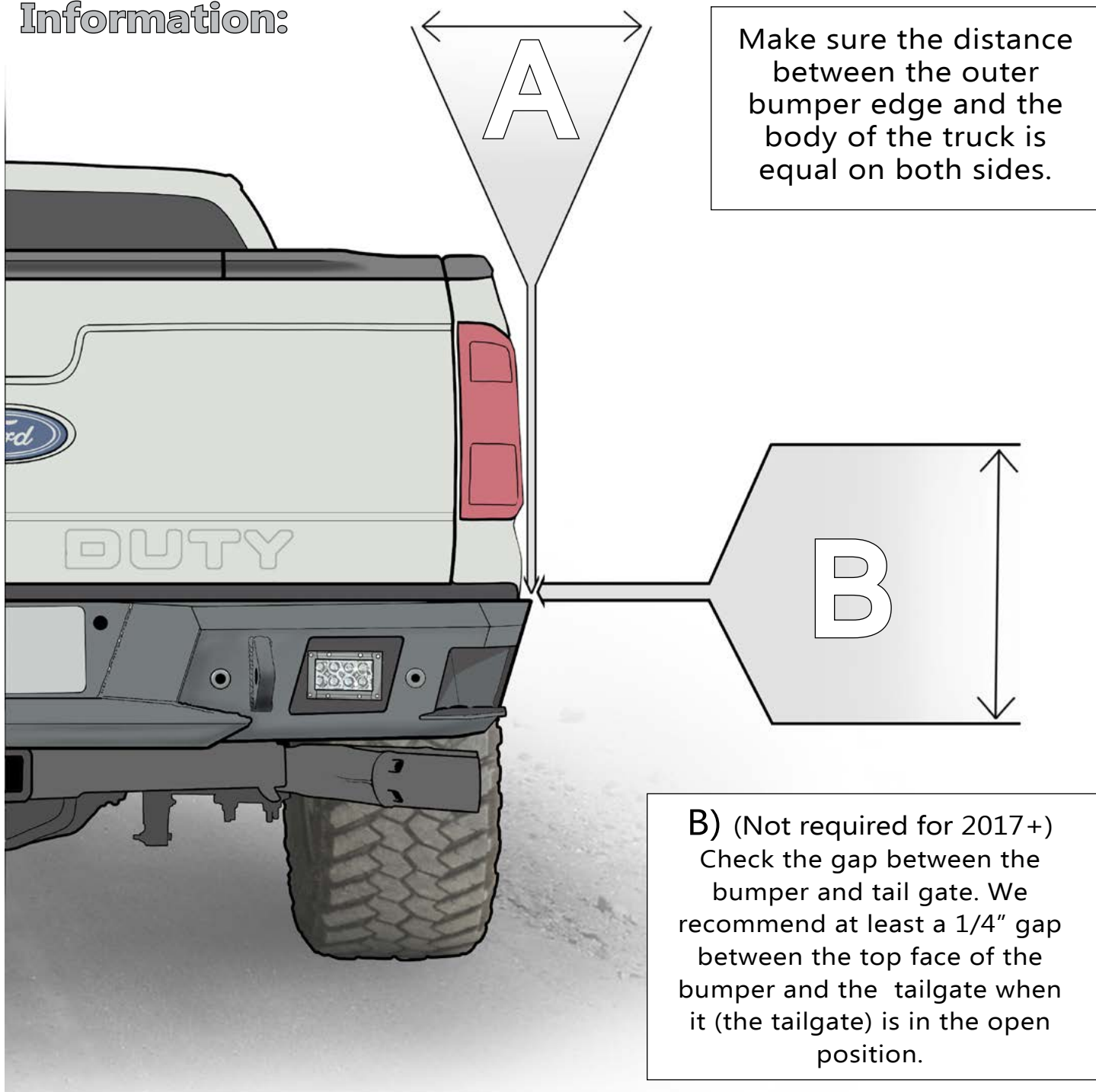


When installed, the mount should look similar to this.



Reach inside and thoroughly tighten the bolts.

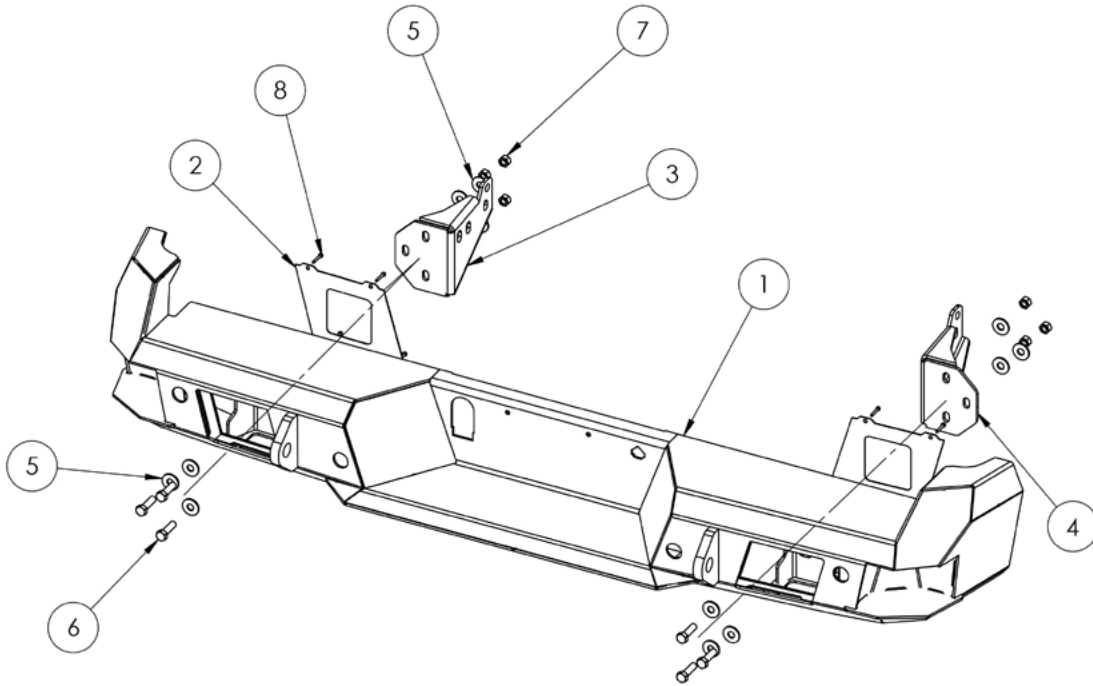
Fitment Information:



C.

Align bumper in the horizontal and vertical directions, making sure that it is level.

When the bumper is in position, tighten the mounting bolts. You can use wire ties to secure any loose harness cables.

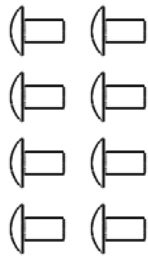


Fabricated Parts List

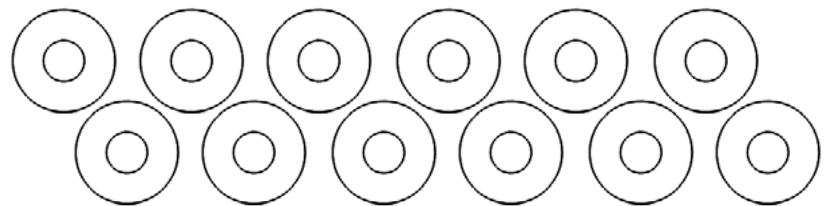
ITEM NO.	PART NUMBER	DESCRIPTION	QTY.
1	4FRB1701	Ford Rear Bumper	1
2	DRL1005-01	Light Bezels	2
3	2FRB1701-19D	Driverside Mount	1
4	2FRB1701-19P	Passengerside Mount	1

Hardware List

ITEM NO.	PART NUMBER	DESCRIPTION	QTY.
5	Preferred Wide FW 0.5	1/2" Washer	12
6	HBOLT 0.5000-20x1.75x1.25-N	1/2 x 13 Hex Bolt	6
7	HNUT 0.5000-13-D-N	1/2 x 13 Hex Nut	6
8	BHCS .25-28	1/4-28 Button Head Cap Screw	8

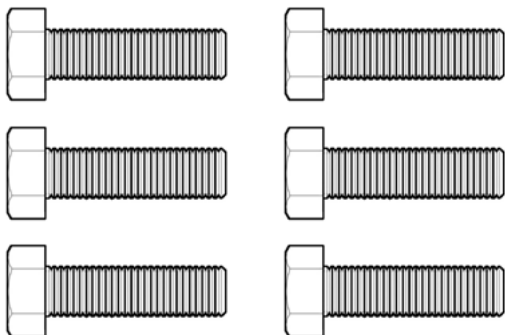


1/4(28) Buttonhead



Washers
(12)

1/2(20) x 1.25 Hex Head
(6)



1/2(20)
Hex Nut
(6)

