



SIGNATURE SERIES
**F-250 FORD
SUPERDUTY**
REAR BUMPER

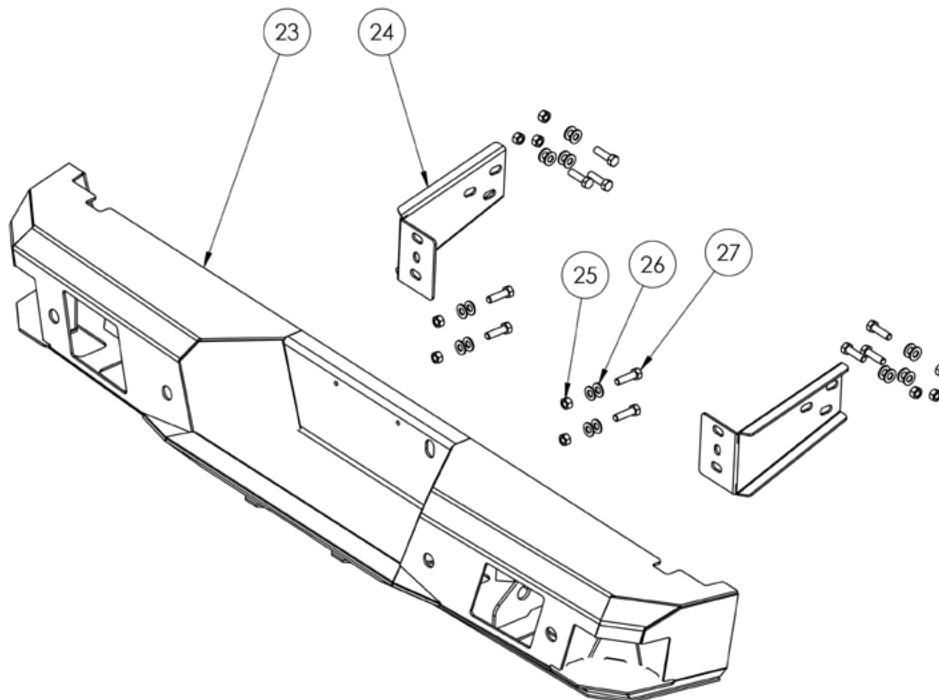
**INSTALLATION
INSTRUCTIONS**

** Please read through the instructions and check all parts before beginning any part of the installation process **



PARTS LIST

ITEM NO.	PART NUMBER	DESCRIPTION	QTY.
23	FRB1120	2011 F-250 Rear Bumper	1
24	2FRB1101-16	2011 F-250 Rear Bumper Mount	2
25	HN 0.5"(13)	1/2" Hex Nut	10
26	FW 0.5"	1/2" Washer	20
27	HB 0.5"(13) x 1.75"	1/2" x 1-3/4" Hex Bolt	10



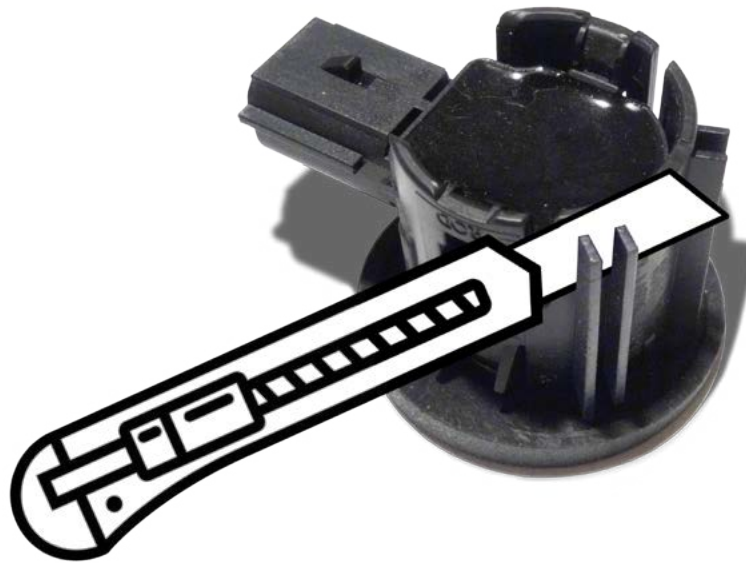


Remove the oem rear bumper, and remove the mounting bolts and brackets underneath the factory bumper.



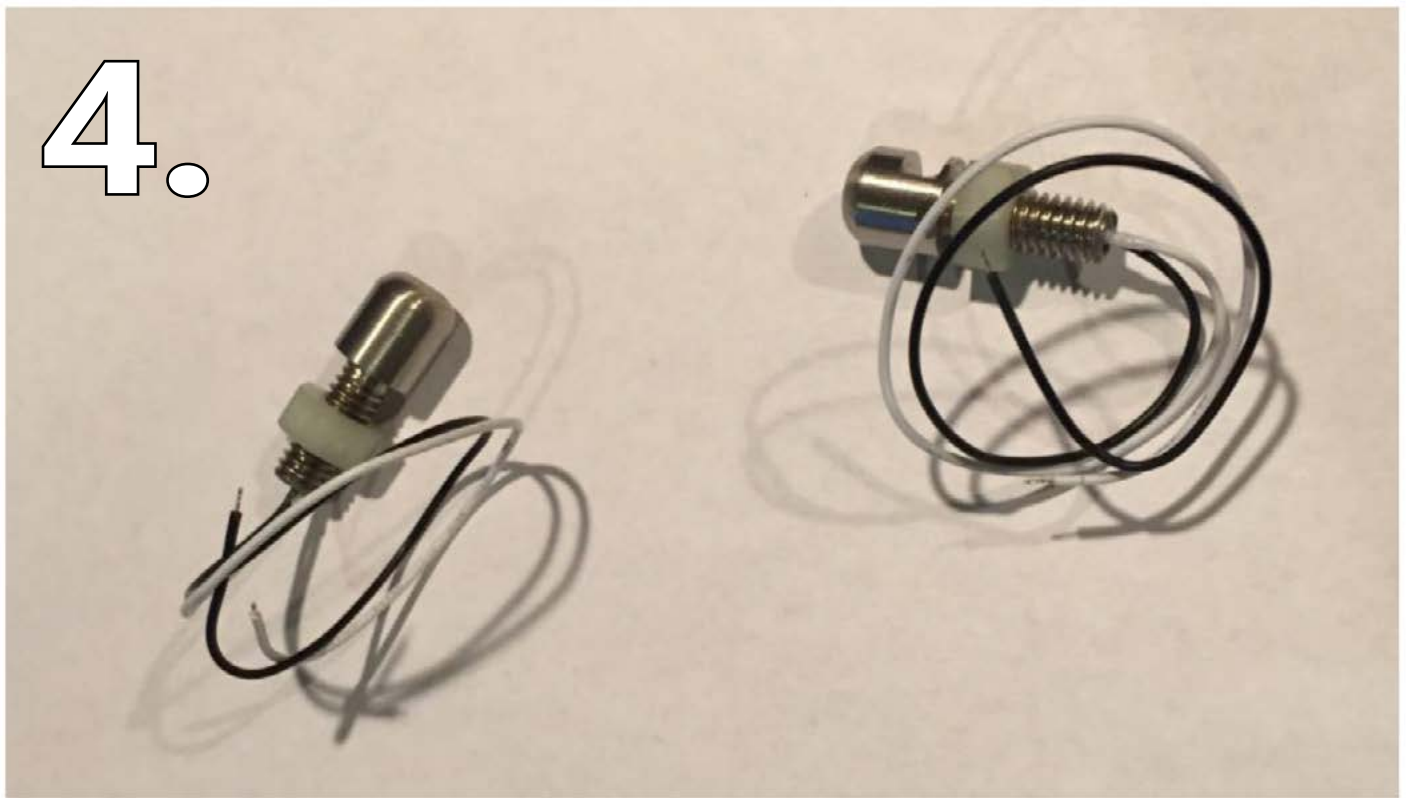
Remove the wiring harness from the oem bumper and place in the LoD bumper

3.



You may have to trim the ribs off of your rear sensors with a utility knife to fit them into the openings in the lod bumper. Be careful to not injure yourself.

4.



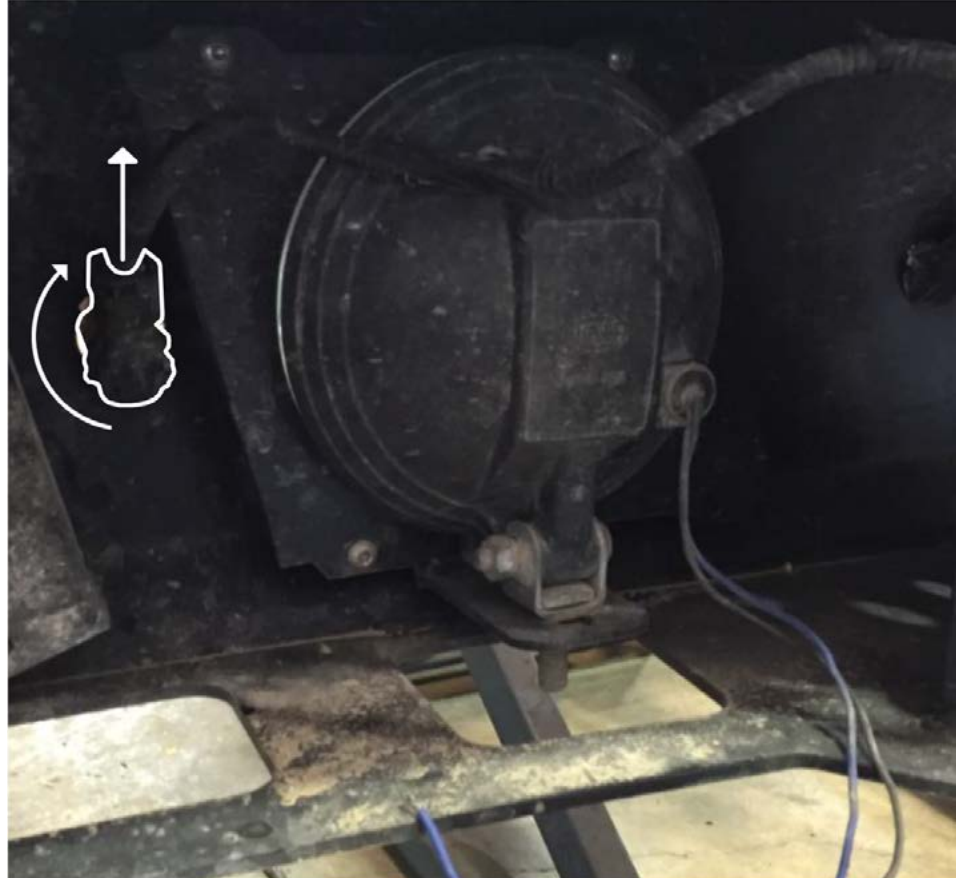
The lod bumper does not support the factory license plate lights. We offer replacement bolt lights.



Use the led light bolts to fasten the license plate on the rear bumper pointing the LED lights downwards.

5.

Install the rear light bezels and lights or place blank bezels to cover opening. we recommend using caulking around the sensor housing to fix it in place. make sure the sensors are oriented so that they do not interfere with the light bezels (we oriented ours vertically with the plug side facing up.)



6.



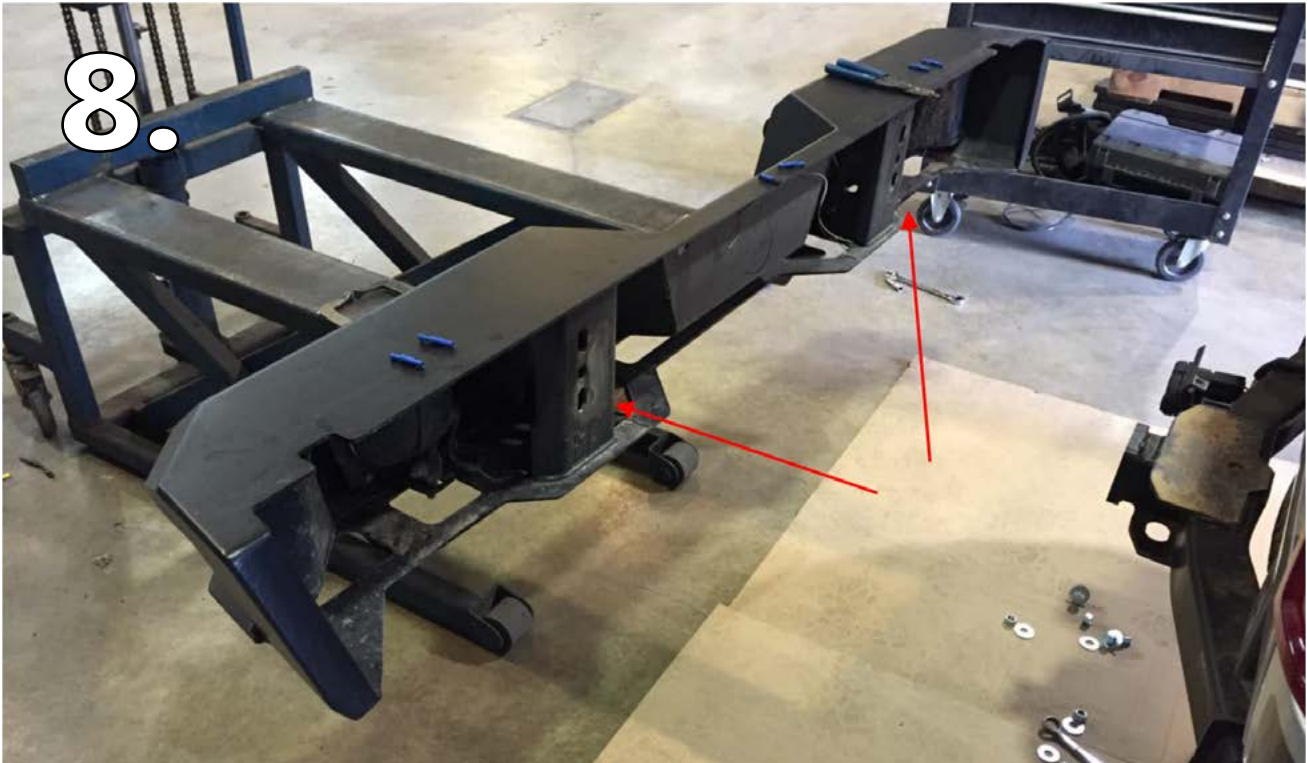
Install the replacement rear mounting brackets on the driver and passenger sides of the frame. use the three 1/2" bolts and nuts provided as shown.

7.



Ready the lod bumper for installation. It is helpful to use a rolling pallet jack to align and hold the bumper during the mounting process.

8.



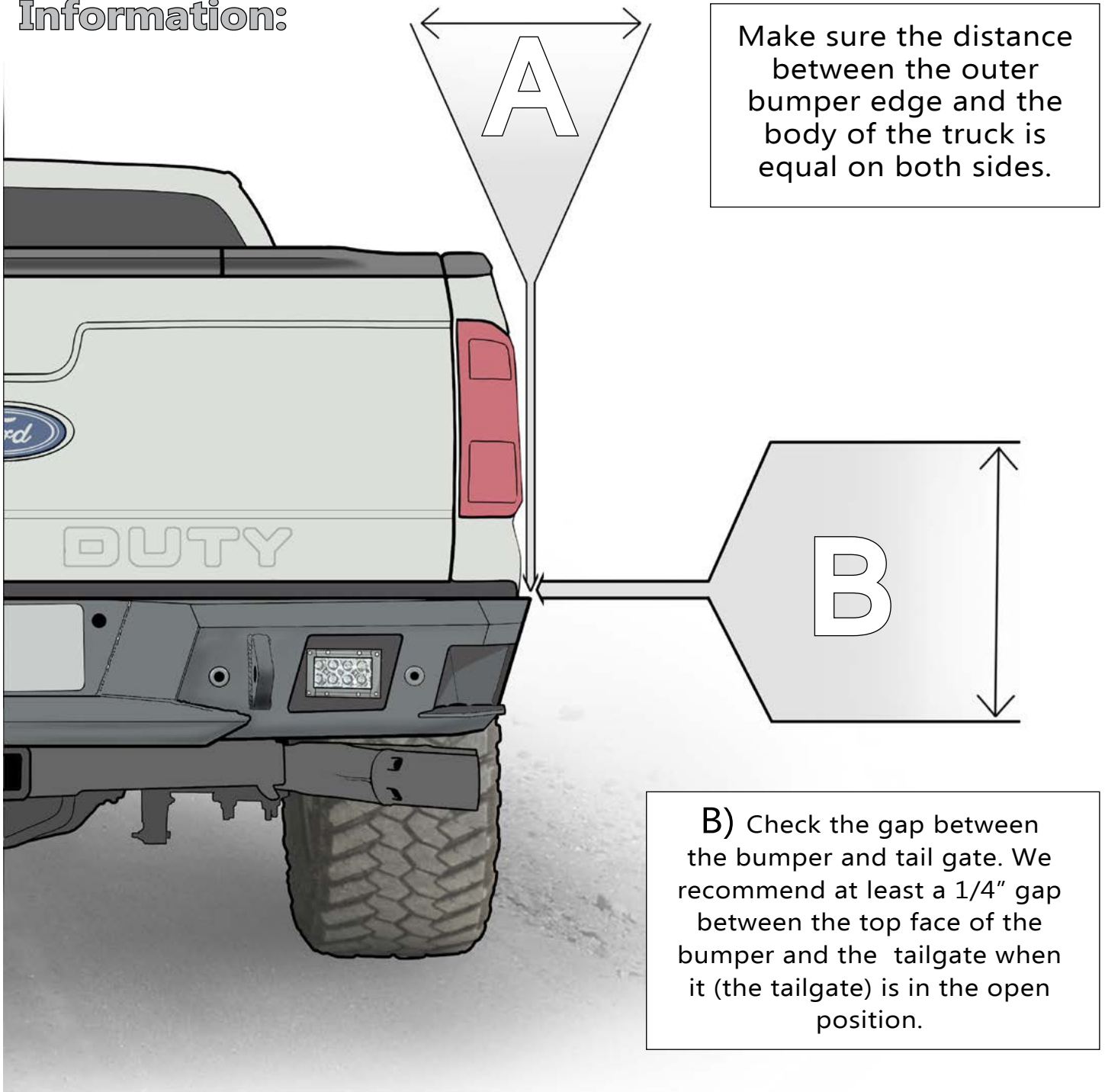
With the bumper ready, align the mounting holes in the bumper and frame mounting brackets. Use the mounting bolts provided in the kit to hold the bumper. Leave these slightly loose so the bumper can be leveled before final tightening.

9.



With mounting bolts hand tight, center the bumper to the vehicle. Use a tape measure to confirm that each side has the same amount of overhang and spacing to the vehicle body.

Fitment Information:



C.

Align bumper in the horizontal and vertical directions, making sure that it is level.

When the bumper is in position, tighten the mounting bolts. You can use wire ties to secure any loose harness cables.