



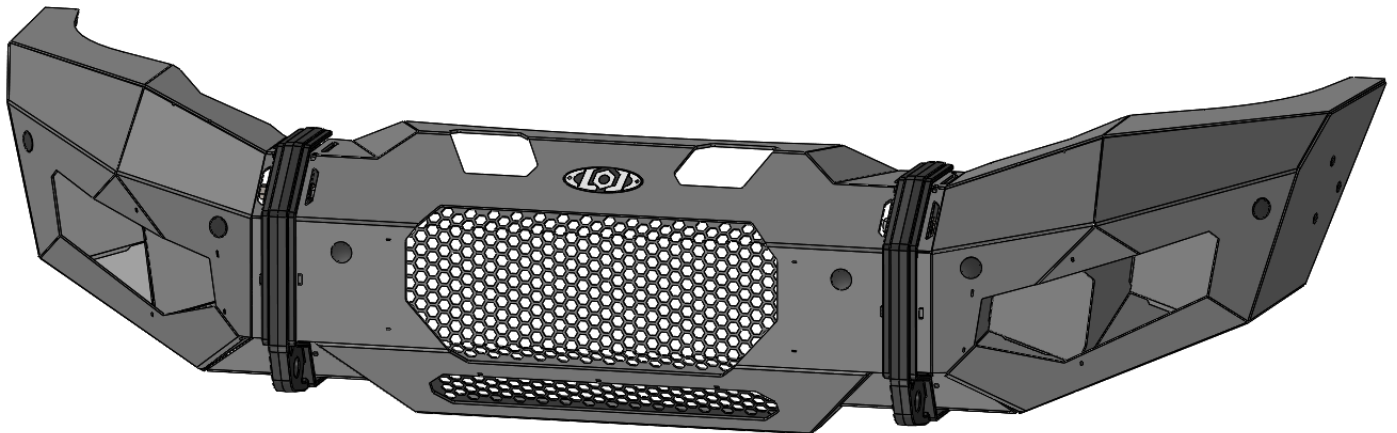
DESTROYER SERIES

TRUCK

DODGE 2010 FRONT
BUMPER



VERIFY YOU HAVE ALL THE COMPONENTS BEFORE STARTING THE INSTALLATION. REFER TO THE ENGINEERING DRAWINGS AT THE END OF THIS DOCUMENT FOR A COMPLETE PARTS LIST



Begin by removing the factory front bumper from your truck.

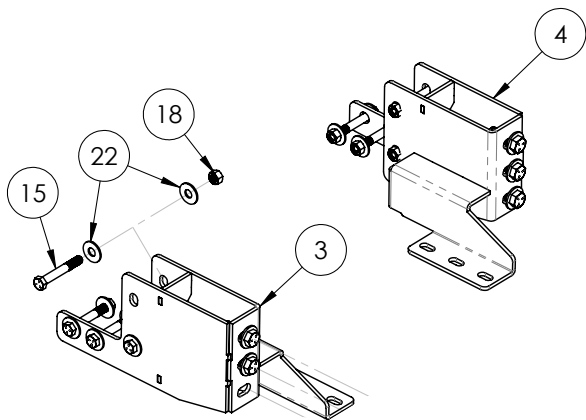
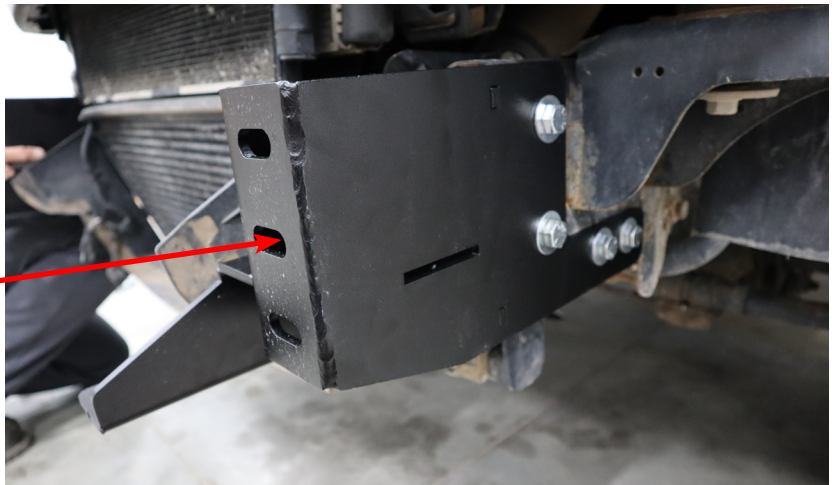
If your bumper has fog lights and parking sensors, you will want to remove the sensors and wiring harness and sensor housings to install in your new bumper.



Install the Frame Mounts as shown using $\text{Ø}1/2''$ Bolts, Nuts and Washers.

Position the mounts so they are straight up and down and tighten the bolts securely.

Driver Side
Frame Mount



Trim Shroud
here if needed

Your truck may have an intercooler and a plastic or rubber shroud like the one shown here. If so you might need to trim the shroud around the Frame Mount. Trim the shroud before continuing with the installation.

****STOP****
If you are installing a Front Hitch or Winch, refer the Installation Instructions before continuing.

Parking Sensor Installation

If you do not have parking sensors, skip these steps and install the provided plastic hole plugs.
The sensors may be installed after your LOD bumper is installed

Remove the sensor wiring harness from your stock bumper. It is helpful to label each sensor location on the harness before removing it from the bumper. (Your wiring harness may look different than the one pictured below)



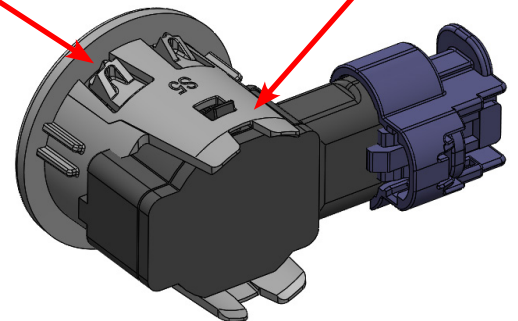
We recommend using the sensor mounting bezels from your stock bumper to mount the sensors into your new LOD bumper. However you can also obtain sensor bezels from your local truck dealer or online.

You will need to remove the sensors from the mounting bezel before removing the bezel from the stock bumper.

*****Be sure to note the location of each bezel and the orientation of the sensor and bezel on the bumper. You will need to install these in the same orientation on your new LOD bumper. It is helpful to take a few pictures for the sensors in the stock bumper before you remove them.*****

Press these tabs to remove from bumper

Pull these tabs to remove sensor

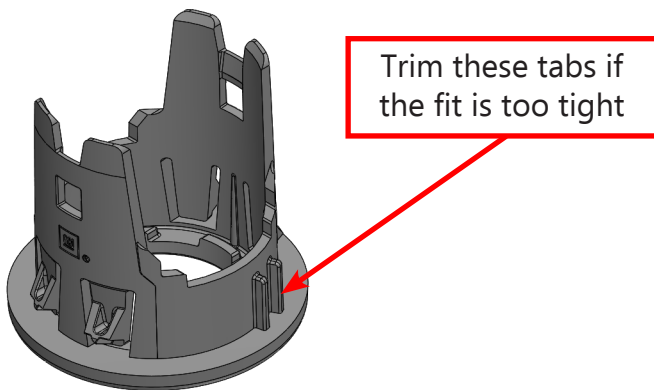
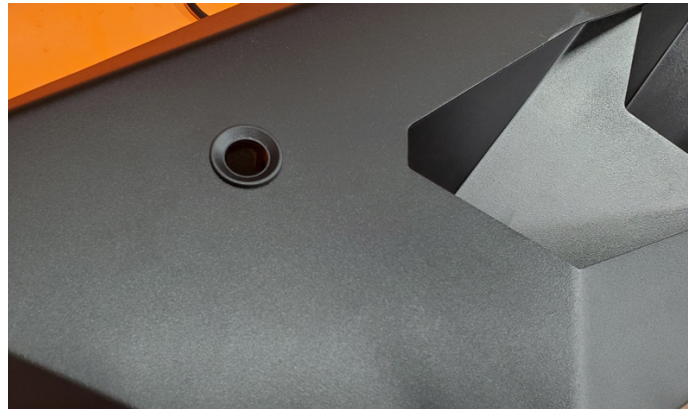


Install the mounting bezels into your new LOD bumper by simply snapping the bezel into the existing hole. Make sure you install the bezels into the same locations in which they were removed.

The mounting holes in your LOD bumper were designed to fit a standard sensor bezel. Depending on the style of your sensors, your sensor bezel could fit a little tight or loose.

If the bezel fits loose, simply add a little silicone or other adhesive to the backside to hold the bezel firmly in the mounting hole.

If the bezel fits too tight in the mounting hole, simply trim the small tabs on the side of the bezel to get a snug fit.

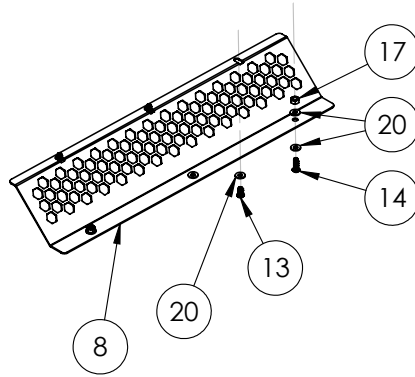


Once your sensor bezels are in place, snap the sensor back into the bezel. ***Make sure the orientation matches how they were in the stock bumper.** After the bumper installation is complete, reinstall the wire harness and secure out of the way.

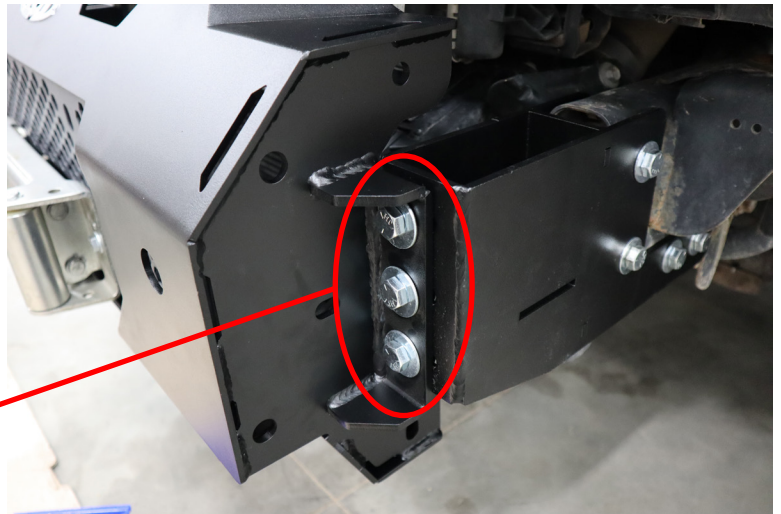
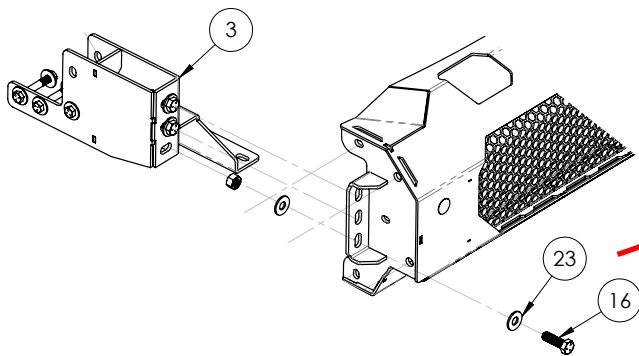
If your wire harness is too short you may need to unwrap the sheathing to expose more length or splice in additional wire to add length where needed.

Install the Lower Front Screen as shown using $\text{\O}1/4''$ Button Head Screws, Washers and Nuts.

If you need to replace the screens in the future, the large Front Screen and the Lower Front Screen can both be installed after the bumper is installed on the truck.



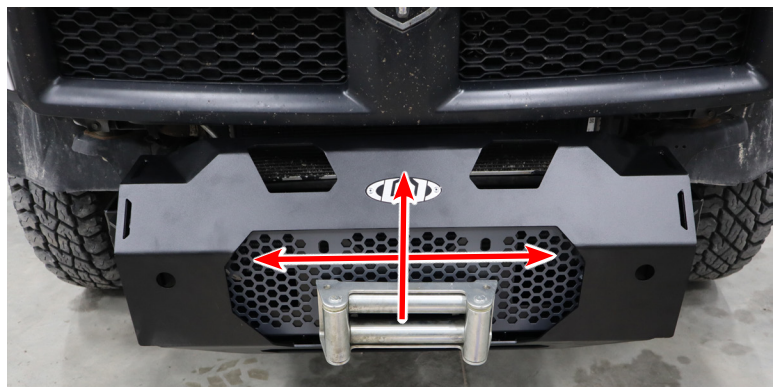
Install the Center Bumper Weldments as shown using $\text{\O}5/8''$ Hex Bolts, Nuts and Washers.



There is some adjustability side to side and up and down.

Make sure the Center Bumper Weldment is centered on the truck, and positioned as high as possible or as close to the grill as possible without touching.

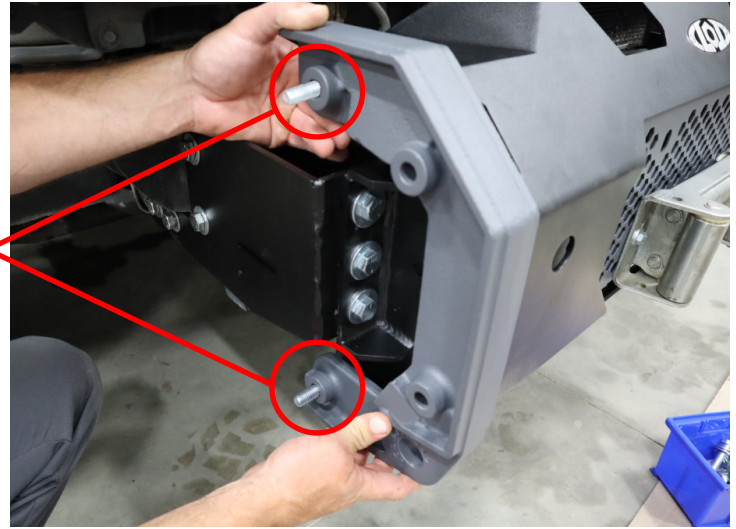
Once in position, securely tighten all 6 mounting bolts.



Install the Tow Points onto the Bumper Center as shown using the Ø1/2" Hex Bolts, Nuts and Washers.

Insert the bolts from inside the Bumper Center pointing out. If you are going to install a Bull Bar or Center Guard you can leave the top two bolts out for now. Otherwise start by installing 2 bolts (one at the top and one at the bottom) and position the tow point.

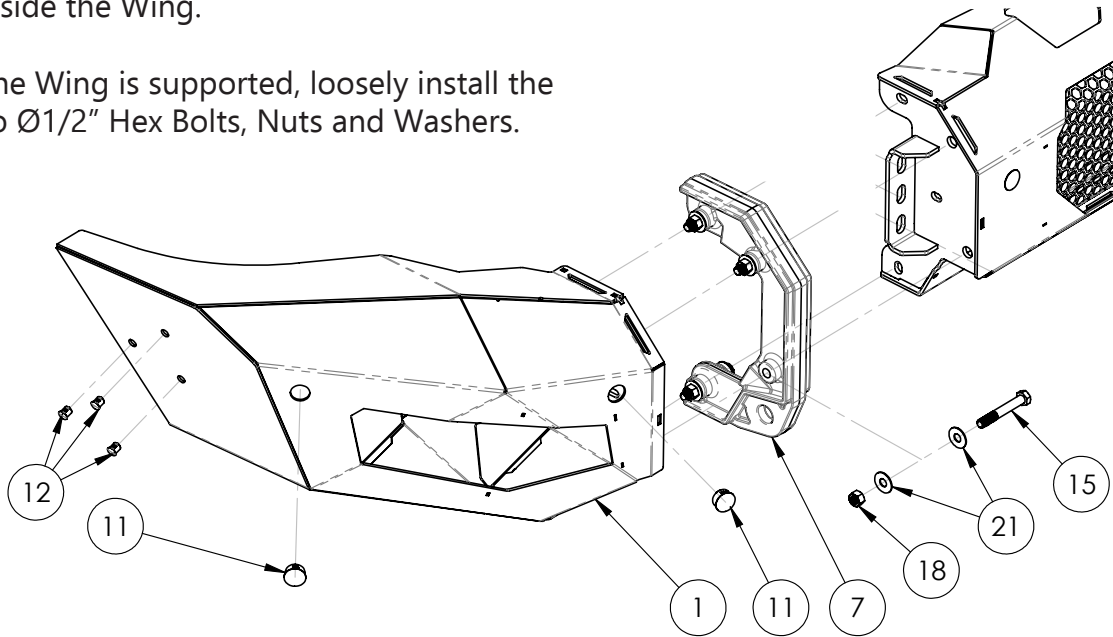
The Tow Points and Wings are heavy. It is best to have a helper to hold the Wing and Tow Point in position.



TIP: A few pieces of blue masking tape can also help hold the Tow Point and Bolts in position while positioning the Wing.

While holding the Tow Point and bolts in position, have a helper place the Wing onto the bolts. Then loosely install the Washer and Nut from inside the Wing.

Once the Wing is supported, loosely install the last two Ø1/2" Hex Bolts, Nuts and Washers.



With a helper, position the Wing so the gap between the top of the Wing and the truck body line are even and parallel.

Gaps

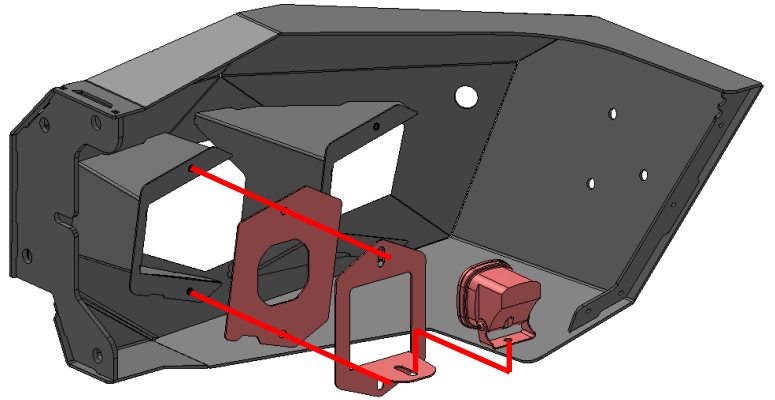
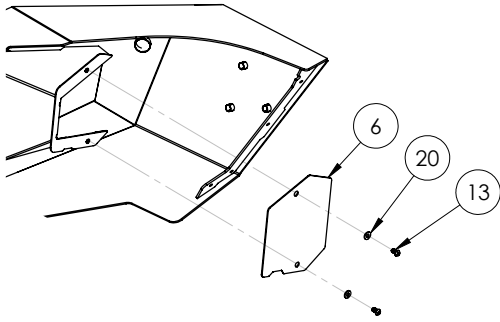
At the same time position the Tow Point so the gap between the bumper and Tow Point is even.

Gaps



Once everything is in position, securely tighten all four hex bolts.

Install the your lights and Light Bezels using the Ø1/4" Button Head Screws as shown.



Once the installation is complete you can trim your inner fender liners to match up with the bumper.



****Maintenance****

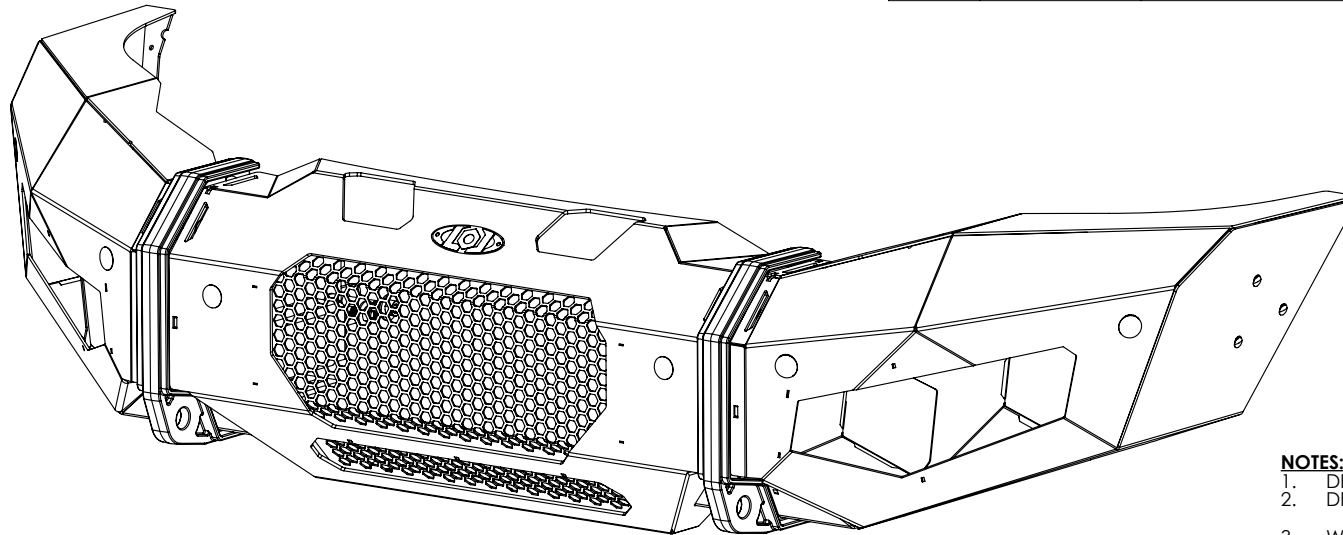
- Periodically check and re-tighten all fasteners.
-
- Periodically check your product for scratches, dings, or rust spots which can happen over time or after heavy use. It is important to address these areas as soon as possible to prevent rust and corrosion from spreading. We recommend using Rustoleum® brand Black Semi-Gloss Protective Enamel (oil based). Apply using a foam brush by dabbing to match the powder coat texture.



ITEM NO.	PART NUMBER	DESCRIPTION	QTY.
1	4DFB2010-01	DODGE 2010 FRONT WING WELDMENT - PS	1
2	4DFB2010-04	DODGE 2010 FRONT WING WELDMENT - DS	1
3	4DFB2010-02	DODGE 2010 FRAME MOUNT - PS	1
4	4DFB2010-03	DODGE 2010 FRAME MOUNT - DS	1
5	4MFB2020-01	MODULAR CENTER WELDMENT	1
6	2MFL2000-01	MODULAR FRONT LIGHT BEZEL - BLANK	4
7	2MFB2020-11	MODULAR TOW POINT	2
8	2MFB2020-18	LOWER SCREEN	1
9	2MFB2020-17	FRONT SCREEN	1
10	LOGO1001	DESTROYER LOGO - EMBOSSED	1
11	HP1004	HOLE PLUG Ø1.125"	6
12	HP1006	HOLE PLUG Ø0.50" BLACK	6


BOLT KIT

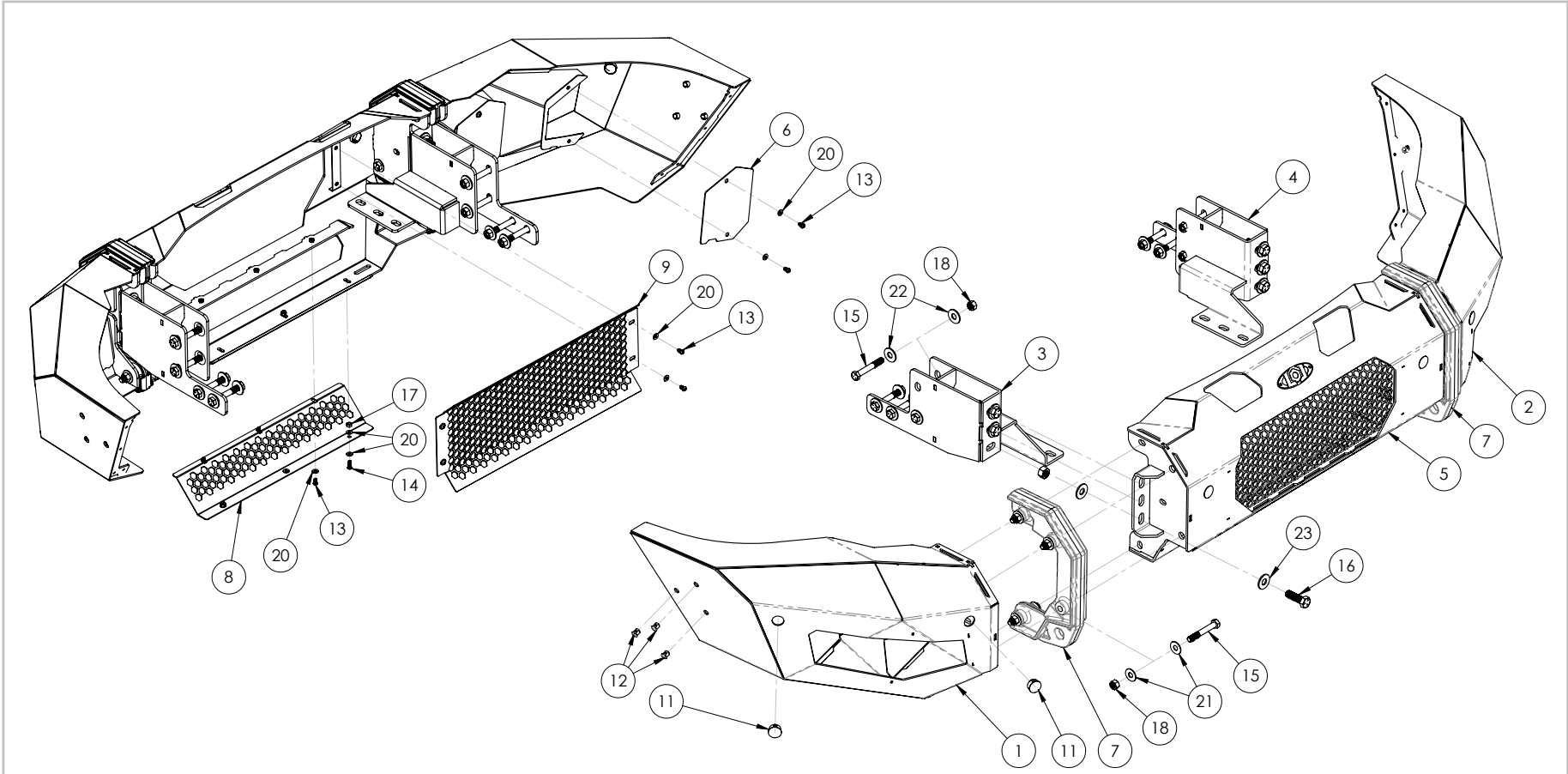
ITEM NO.	PART NUMBER	DESCRIPTION	QTY.
13	BHSCS252008ZP	BHSCS 1/4-20 X 0.50 ZINC PLATE	15
14	BHSCS252012ZP	BHSCS 1/4-20 X .75 ZINC PLATE	3
15	HB501356ZPGR5	HEX BOLT 1/2-13 X 3.50 HEX BOLT ZINC PLATE GR5	16
16	HB621132ZPGR5	HEX BOLT 5/8-11 X 2.00 HEX BOLT ZINC PLATE GR5	6
17	HN2520ZPGR5	HEX NUT 1/4-20 ZINC PLATED GR5	3
18	HN5013ZPGR5	HEX NUT 1/2-13 ZINC PLATE GR5	16
19	HN6211ZPGR5	HEX NUT 5/8-11 ZINC PLATE GR5	6
20	FW1209ZP	FLAT WASHER #12 X .56" ZINC PLATED	21
21	FW4318ZP	FLAT WASHER Ø7/16 X 1.25" ZINC PLATED	16
22	FW5022ZP	FLAT WASHER Ø1/2" X 1.375" ZINC PLATE	16
23	FW5624ZP	FLAT WASHER Ø9/16" X 1.47" ZINC PLATE	12




NOTES:

1. DFB1030 = BARE STEEL OPTION
2. DFB1031 = BLACK POWDER COAT
3. WEIGHT = APPROX 160LBS

UNLESS OTHERWISE SPECIFIED: DIMENSIONS ARE IN INCHES TOLERANCES: ±0.010 ANGULAR: MACH±1° TWO PLACE DECIMAL ±0.015 THREE PLACE DECIMAL ±0.005	DRAWN CHECKED ENG APPR. MFG APPR.	NAME MCH	DATE 7/30/2021	LOD LLC. DESCRIPTION: DODGE 2010 DESTROYER FRONT BUMPER	
PROPRIETARY AND CONFIDENTIAL THE INFORMATION CONTAINED IN THIS DRAWING IS THE SOLE PROPERTY OF LOD LLC. ANY REPRODUCTION IN PART OR AS A WHOLE WITHOUT THE WRITTEN PERMISSION OF LOD LLC IS PROHIBITED.	MATERIAL: N/A FINISH: SEE NOTES ECO: -	DWG. NO. DFB1030 DFB1031	REV A		
SCALE: 1:6		SHEET SIZE: B		SHEET 1 OF 2	



UNLESS OTHERWISE SPECIFIED:		NAME	DATE	LOD LLC.	
DIMENSIONS ARE IN INCHES		DRAWN	MCH		
TOLERANCES: ±0.010		CHECKED		DESCRIPTION:	
ANGULAR: MACH±1°		ENG APPR.		DODGE 2010 DESTROYER FRONT	
TWO PLACE DECIMAL ±0.015		MFG APPR.		BUMPER	
THREE PLACE DECIMAL ±0.005		MATERIAL:		DWG. NO.	DFB1030
PROPRIETARY AND CONFIDENTIAL		N/A		FINISH:	DFB1031
THE INFORMATION CONTAINED IN THIS DRAWING IS THE SOLE PROPERTY OF LOD LLC. ANY REPRODUCTION IN PART OR AS A WHOLE WITHOUT THE WRITTEN PERMISSION OF LOD LLC IS PROHIBITED.		SEE NOTES		ECCO:	-
				SCALE: 1:9	SHEET SIZE: B
				REV	A
				SHEET 2 OF 2	



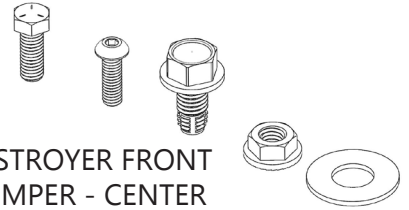
**TRUCK
DESTROYER SERIES
FRONT BUMPER - CENTER
SHIPPING SHEET
6MFB2020-01**

Packaged by:

On: _____



INSTRUCTION SHEET

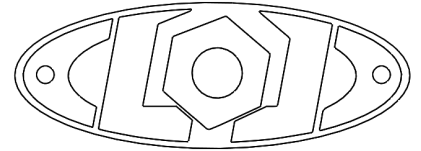


DESTROYER FRONT BUMPER - CENTER BOLT KIT
6MFB2020-BK
(x1)

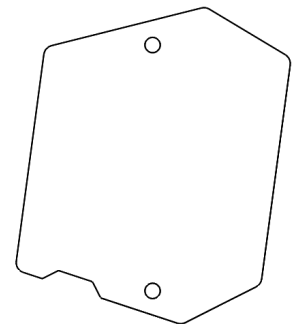
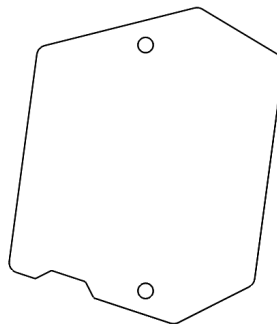
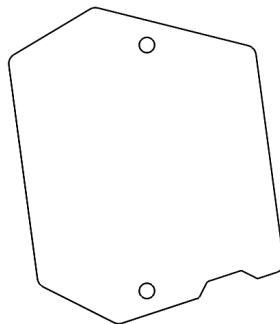
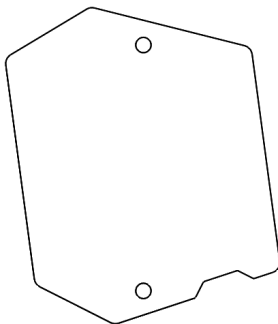
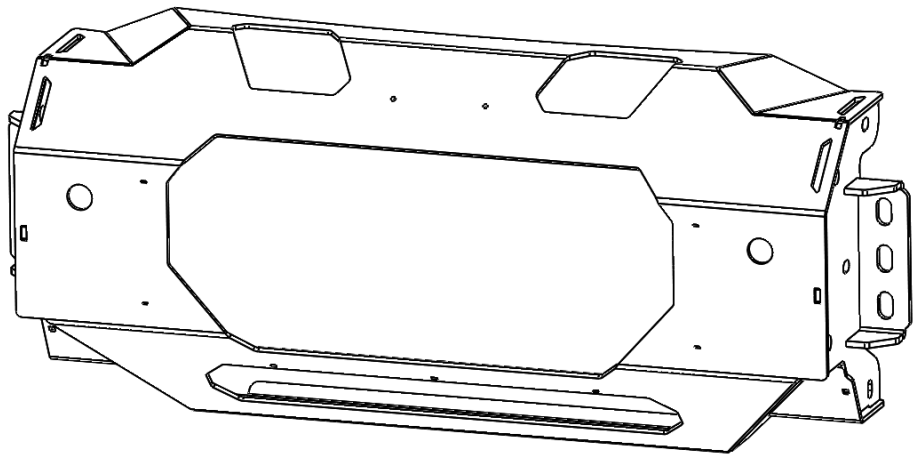


LOD LOGO
(PACKAGED SEPERATE IF BUMPER IS BARE STEEL)

(x1)

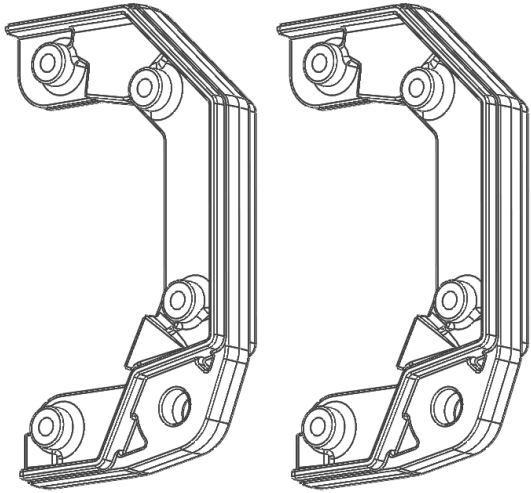


DESTROYER MODULAR CENTER WELDMENT
4MFB2020-01
(x1)

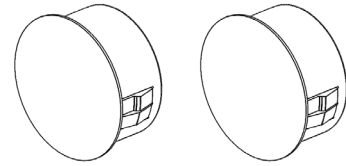


DESTROYER BLANK LIGHT BEZEL KIT
2MFL2001-01
(x1)

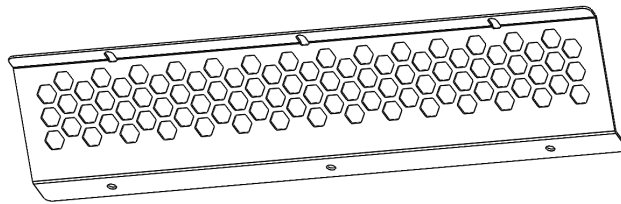




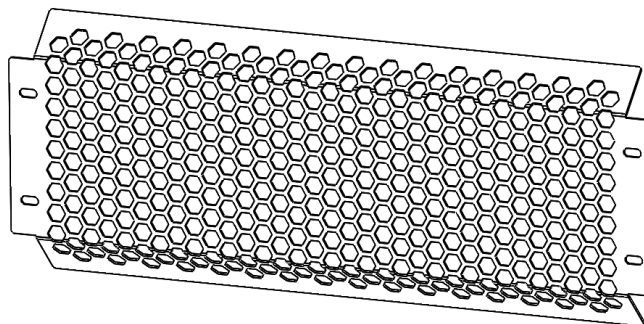
DESTROYER MODULAR
TOW POINT
2MFB2020-11
(x2)



HOLE PLUG Ø1.125
HP1004
(x2)



LOWER SCREEN
2MFB2020-18
(x1)



FRONT SCREEN
2MFB2020-17
(x1)

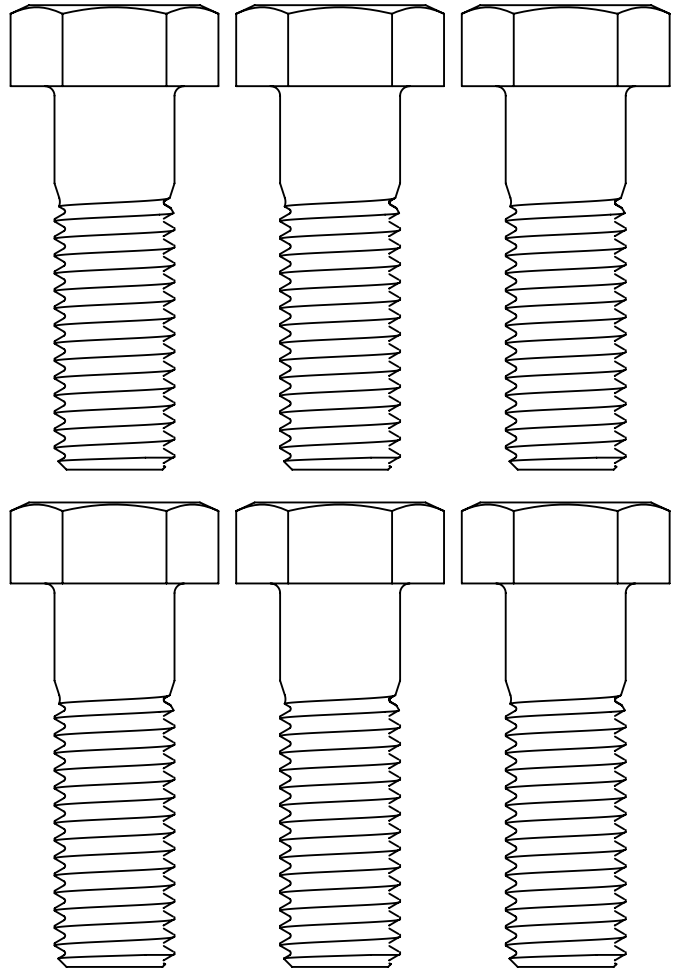




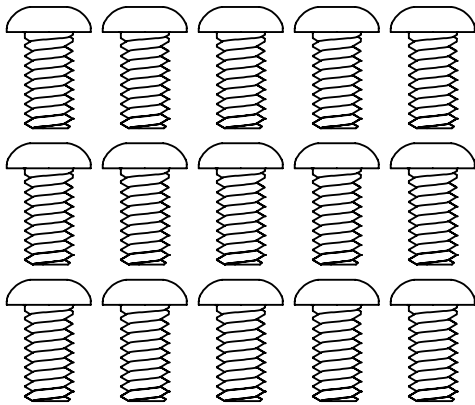
TRUCK
DESTROYER SERIES
FRONT BUMPER - CENTER
Bolt Kit
6MFB2020-BK

Packaged by:

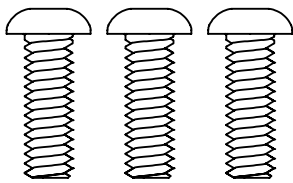
On: _____



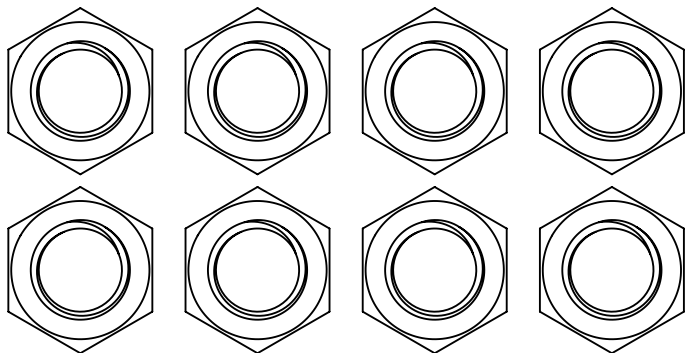
HEX BOLT 5/8-11 X 2.00"
(0137562)
(x6)



BUTTON HEAD SCREW
1/4-20 X 0.50"
(94049)
(x15)

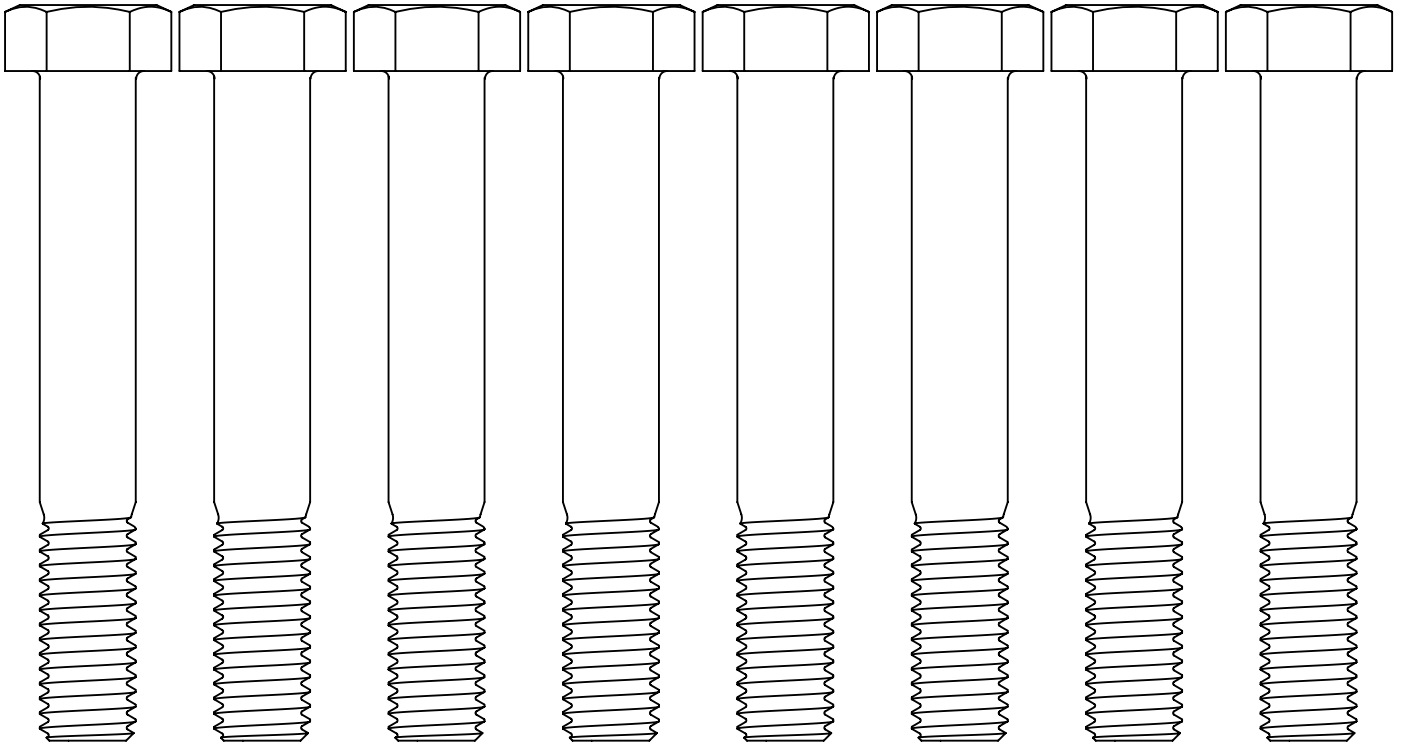


BUTTON HEAD SCREW
1/4-20 X 0.75"
(94051)
(x3)



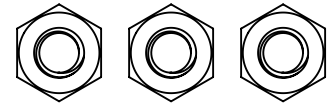
HEX NUT 1/2-13
(0147968)
(x8)





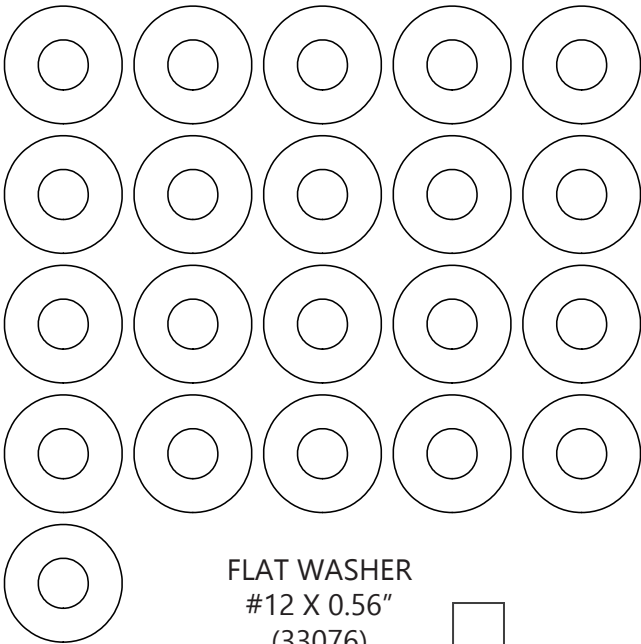
HEX BOLT 1/2-13 X 3.50"
(0137553)

(x8)



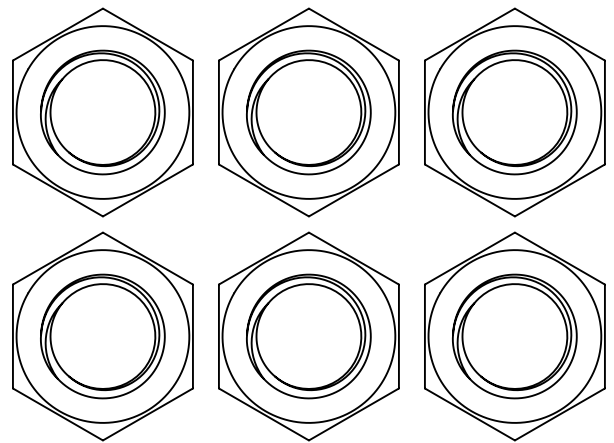
HEX NUT 1/4-20
(0147964)

(x3)



FLAT WASHER
#12 X 0.56"
(33076)

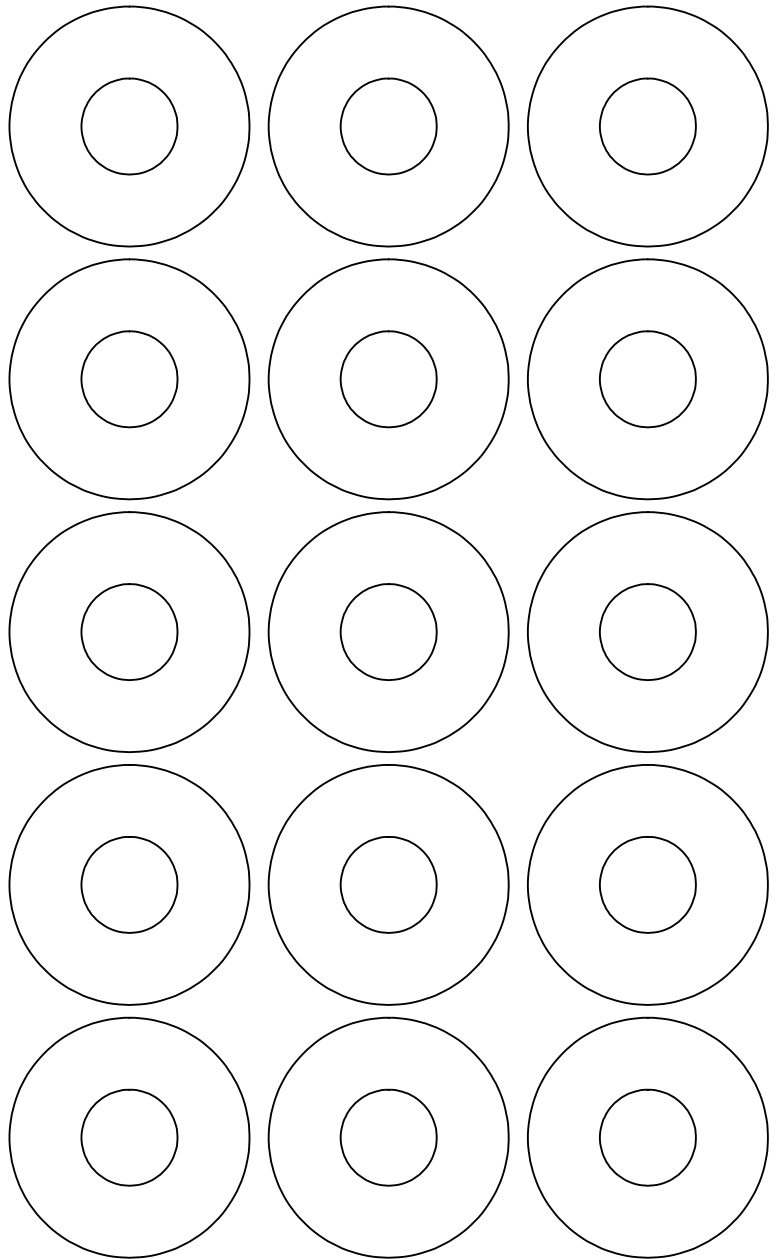
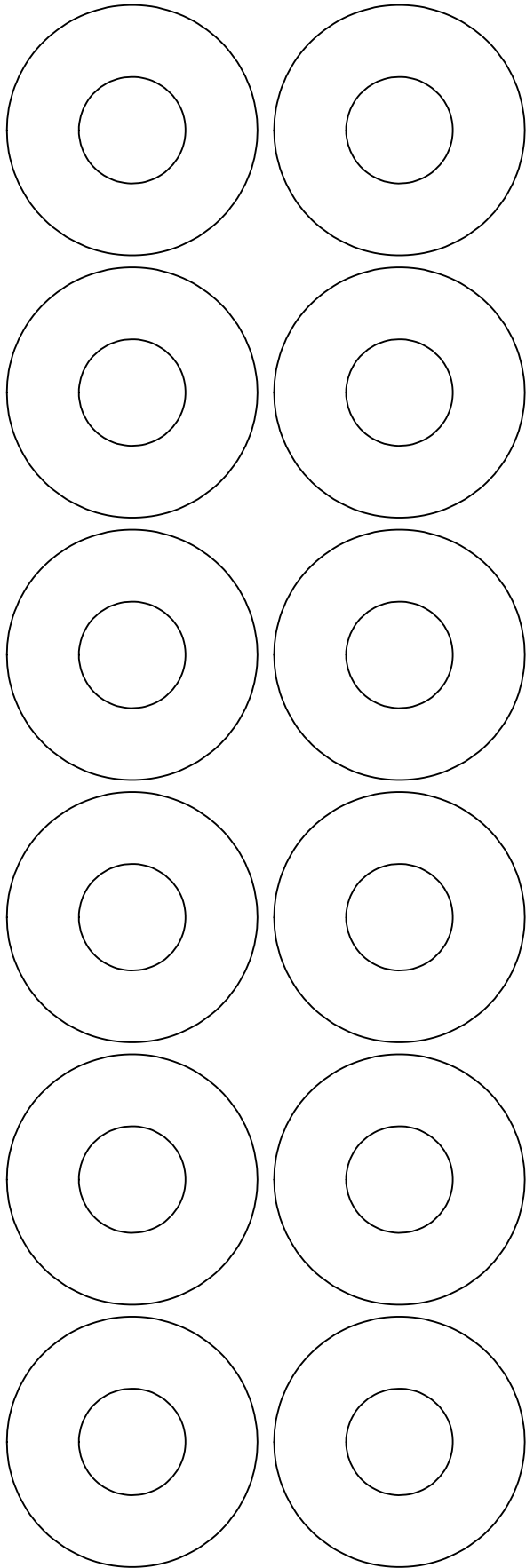
(x21)



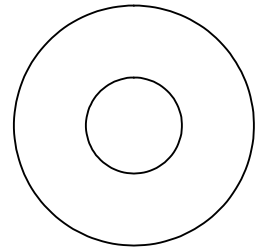
HEX NUT 5/8-11
(0147970)

(x6)





FLAT WASHER
Ø7/16" X 1.25"
(0159680)
(x16)



FLAT WASHER
Ø9/16" X 1.47"
(0159682)
(x12)

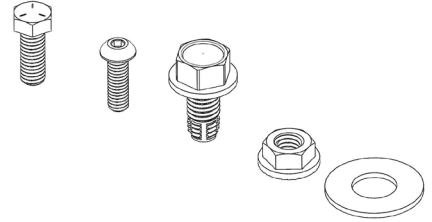


**TRUCK
DESTROYER SERIES
DODGE 2010 FRONT WING
PASSENGER SIDE
SHIPPING SHEET
6DFB2010-01**

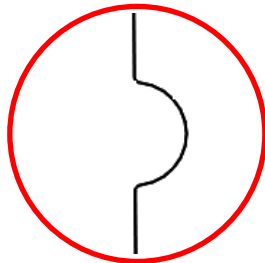
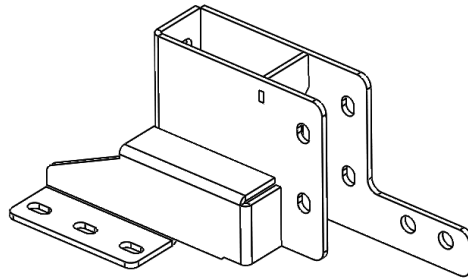
Packaged by:

On: _____

DODGE 2010 FRONT
WING BOLT KIT
6DFB2010-BK
(x1)



DODGE 2010
FRAME MOUNT - PS
4DFB2010-02
(x1)

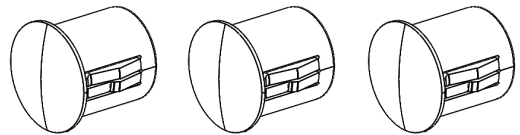


DODGE 2010
IDENTIFIER

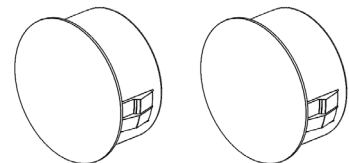
DODGE 2010
FRONT WING - PS
4DFB2010-01
(x1)



HOLE PLUG Ø0.50
HP1006
(x3)



HOLE PLUG Ø1.125
HP1004
(x2)



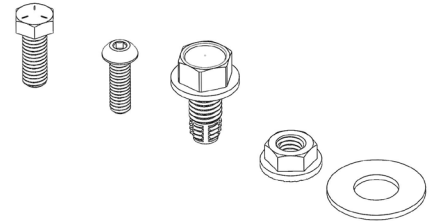


**TRUCK
DESTROYER SERIES
DODGE 2010 FRONT WING
DRIVER SIDE
SHIPPING SHEET
6DFB2010-02**

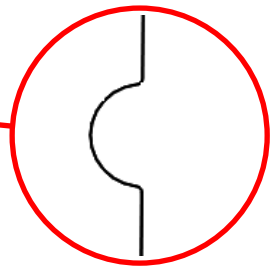
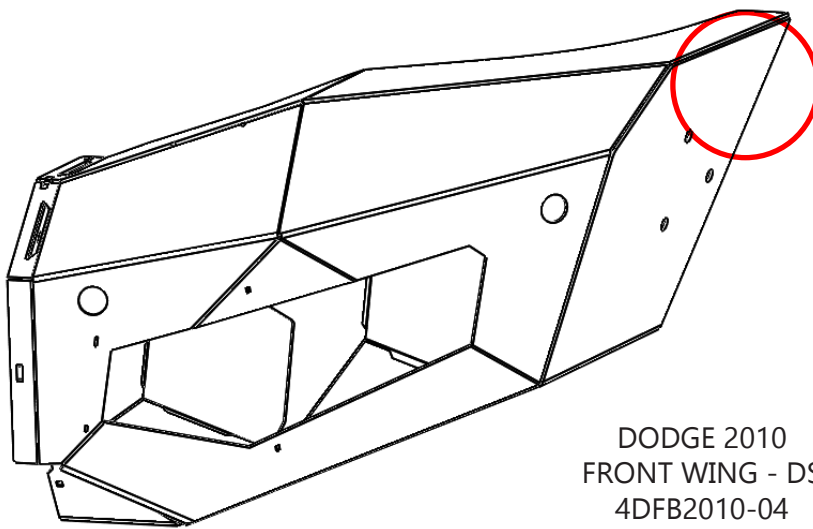
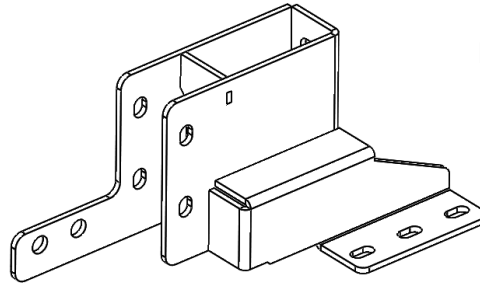
Packaged by:

On: _____

DODGE 2010 FRONT
WING BOLT KIT
6DFB2010-BK
(x1)



DODGE 2010
FRAME MOUNT - DS
4DFB2010-03
(x1)

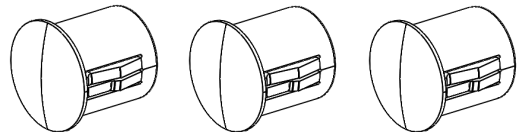


DODGE 2010
IDENTIFIER

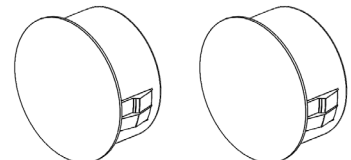
DODGE 2010
FRONT WING - DS
4DFB2010-04
(x1)



HOLE PLUG Ø0.50
HP1006
(x3)



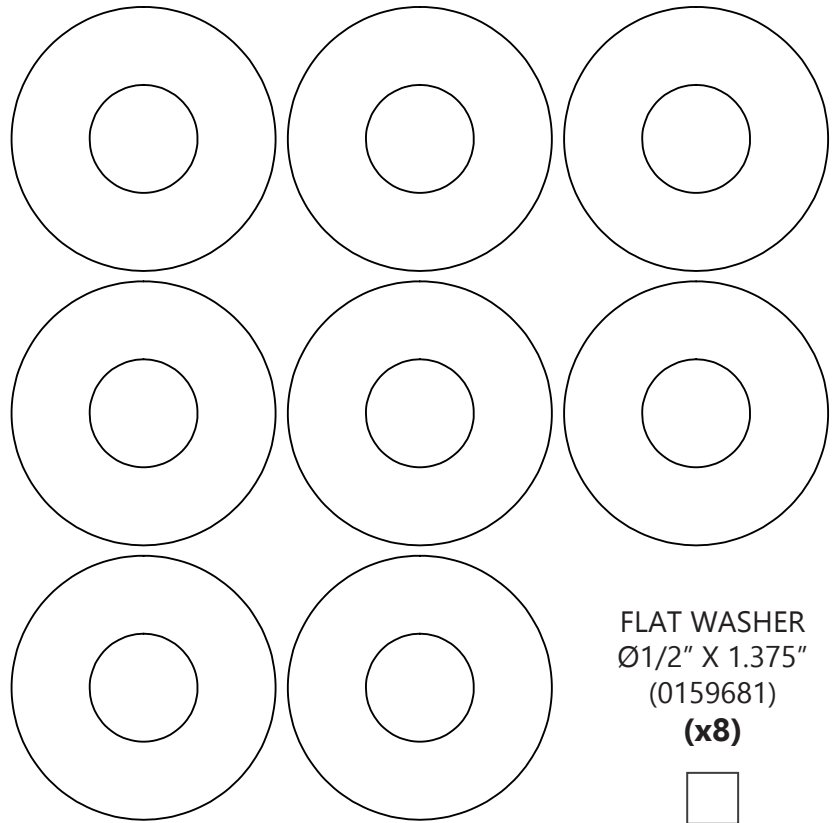
HOLE PLUG Ø1.125
HP1004
(x2)



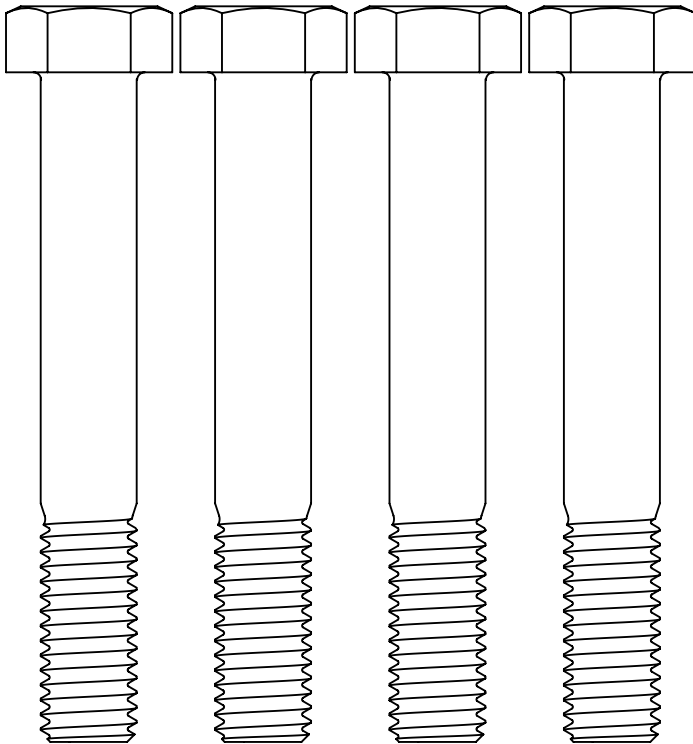


TRUCK
DESTROYER SERIES
DODGE 2010 FRONT WING
6DFB2010-BK
Bolt Kit
Packaged by:

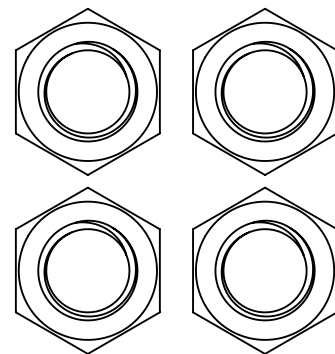
On:



FLAT WASHER
Ø1/2" X 1.375"
(0159681)
(x8)



HEX BOLT 1/2-13 X 3.50"
(0137553)
(x4)



HEX NUT 1/2-13
(0147968)
(x4)

