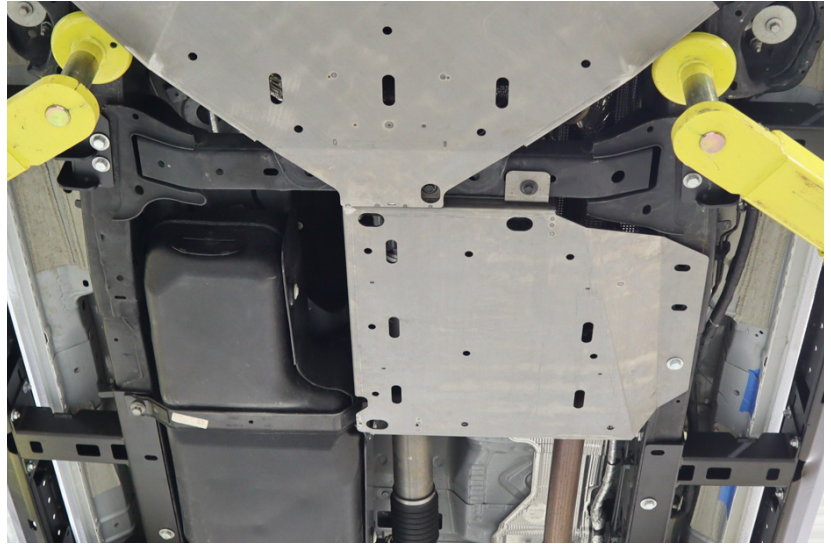




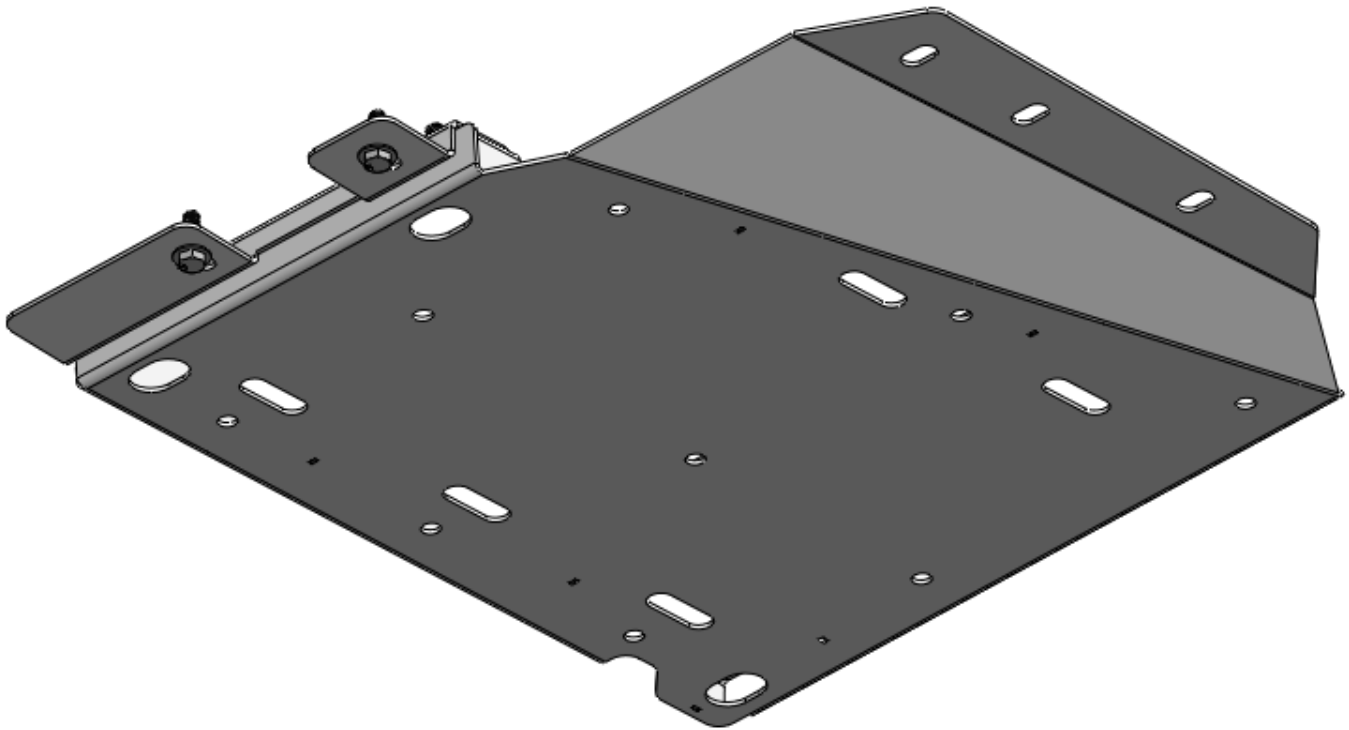
BLACK-OPS SERIES

BRONCO

TRANSFER CASE
SKID PLATE



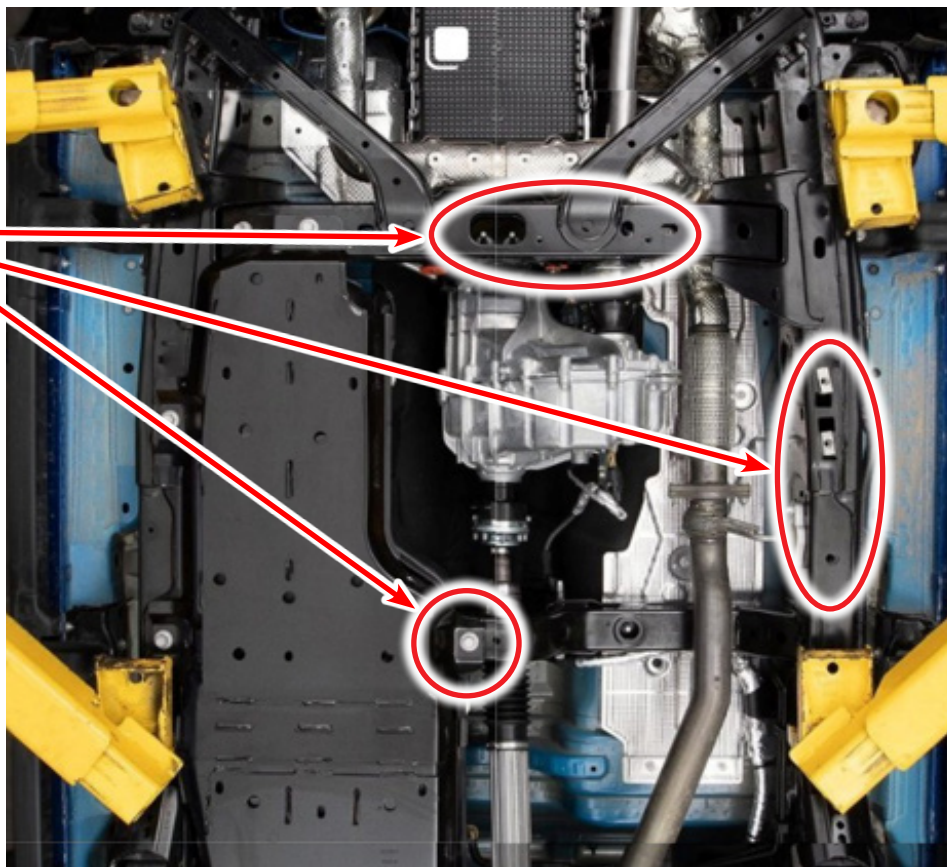
VERIFY YOU HAVE ALL THE COMPONENTS BEFORE STARTING THE INSTALLATION. REFER TO THE ENGINEERING DRAWINGS AT THE END OF THIS DOCUMENT FOR A COMPLETE PARTS LIST



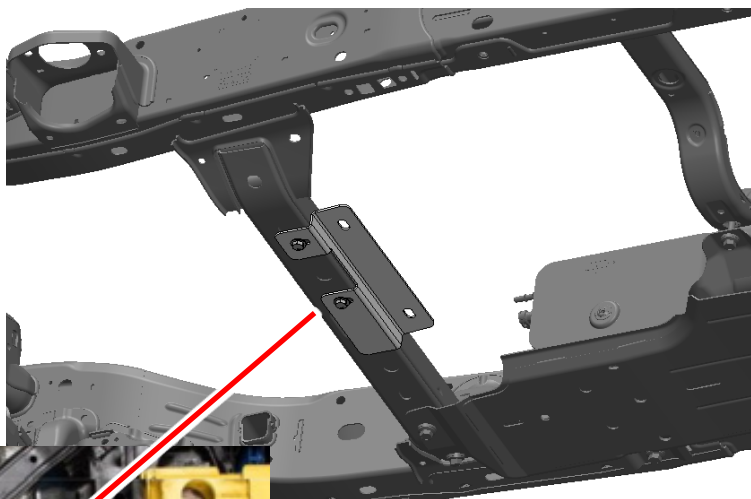
Front of Bronco

The image here shows the underside of your Bronco with no skid plates installed. If your Bronco has skid plates you will need to remove the mounting bolts in the locations circled here.

Your new skid plate should fit with the stock OEM skid plates, however you may need to loosen mounting bolts during installation.

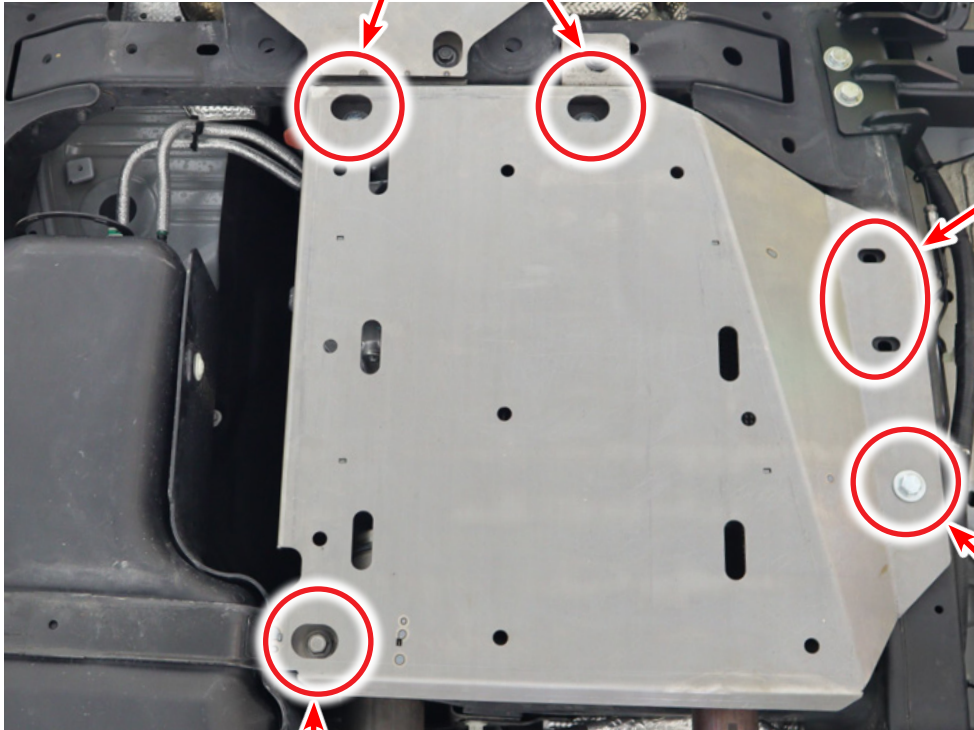


Install the Cross Member Bracket using the M10 Hex Bolts and Washers in the position shown on the chassis cross member directly in front of your transfer case. Leave these bolts loose while you finish the installation.



Have a helper hold the skid plate in place while you install the bolts as shown. Or you can use a floor jack to hold the skid plate in position.

Install $\text{\O}1/2''$ Hex Bolts, Nuts and Washers through the skid plate and Cross Member Bracket



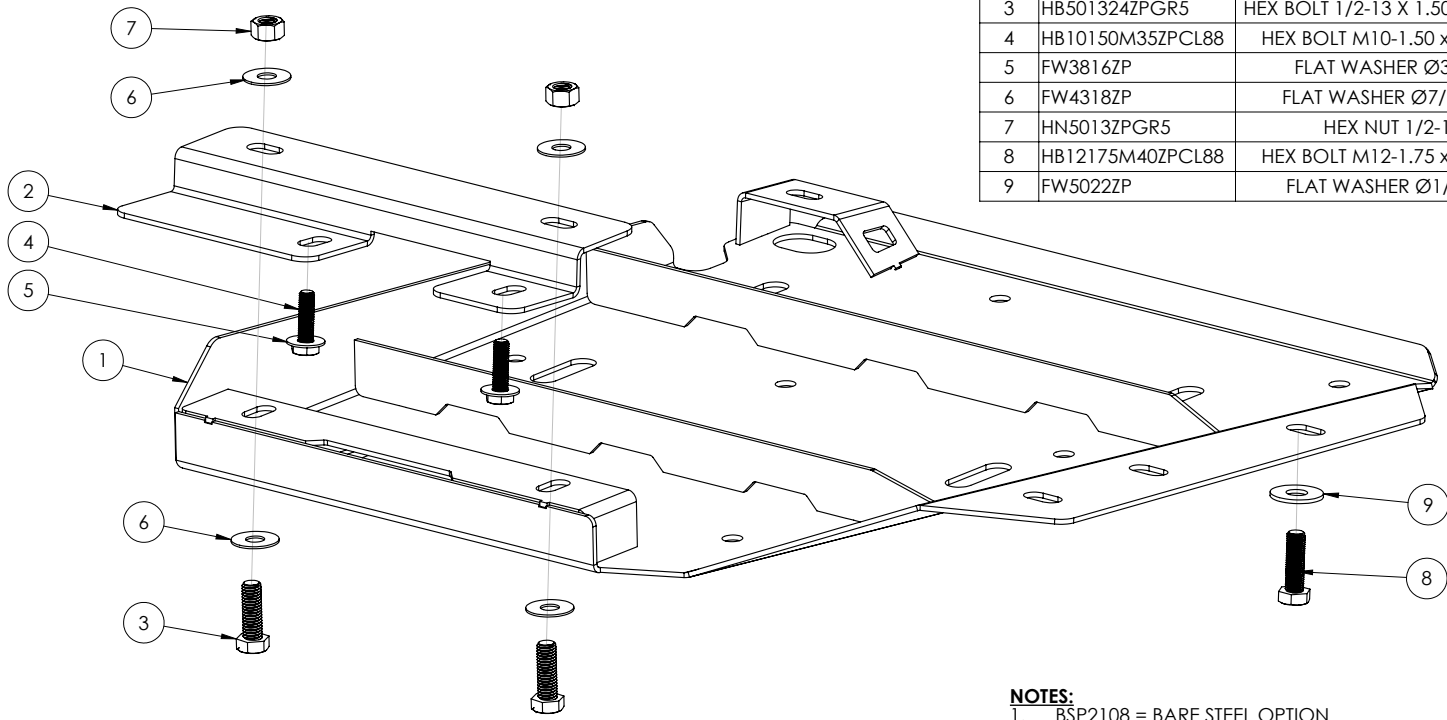
If you are replacing the stock skid plate, you can install the stock bolts in this position.

Use the M12 Hex Bolt and washer provided in this position.

Use existing gas tank support (or skid plate) bolt in this position. Your Transfer Case Skid Plate will sit on top of the support (or skid plate) as shown.


DO NOT FORCE THIS BOLT IF THE THREADS ARE TIGHT. VERIFY YOU HAVE THE CORRECT BOLT BEFORE TIGHTENING.

Be sure to tighten all bolts evenly and securely.



ITEM NO.	PART NUMBER	DESCRIPTION	QTY.
1	4BSP2021-03	2021 BRONCO TRANSFER CASE SKID PLATE	1
2	2BSP2021-23	CROSSMEMBER BRACKET	1
3	HB501324ZPGR5	HEX BOLT 1/2-13 X 1.50 HEX BOLT ZINC PLATE GR5	2
4	HB10150M35ZPCL88	HEX BOLT M10-1.50 x 35mm ZINC PLATE CL8.8	2
5	FW3816ZP	FLAT WASHER Ø3/8" X 1.00" ZINC PLATE	2
6	FW4318ZP	FLAT WASHER Ø7/16 X 1.25" ZINC PLATED	4
7	HN5013ZPGR5	HEX NUT 1/2-13 ZINC PLATE GR5	2
8	HB12175M40ZPCL88	HEX BOLT M12-1.75 x 40mm ZINC PLATE CL8.8	1
9	FW5022ZP	FLAT WASHER Ø1/2" X 1.375" ZINC PLATE	1

- NOTES:**
1. BSP2108 = BARE STEEL OPTION
 2. BSP2109 = BLACK POWDER COAT
 3. WEIGHT = APPROX 32 LBS

UNLESS OTHERWISE SPECIFIED:		NAME	DATE	LOD LLC. 
DIMENSIONS ARE IN INCHES		MCH	6/21/2022	
TOLERANCES: ±0.010		CHECKED		DESCRIPTION: 2021 BRONCO TRANSFER CASE SKID PLATE
ANGULAR: MACH±1°		ENG APPR.		
TWO PLACE DECIMAL ±0.015		MFG APPR.		
THREE PLACE DECIMAL ±0.005				
PROPRIETARY AND CONFIDENTIAL		MATERIAL:		DWG. NO. BSP2108
THE INFORMATION CONTAINED IN THIS DRAWING IS THE SOLE PROPERTY OF LOD LLC. ANY REPRODUCTION IN PART OR AS A WHOLE WITHOUT THE WRITTEN PERMISSION OF LOD LLC IS PROHIBITED.		FINISH:		BSP2109
		SEE NOTES		REV A
		ECO:		SCALE: 1:3 SHEET SIZE: B SHEET 1 OF 1



**BRONCO
BLACK-OPS SERIES**

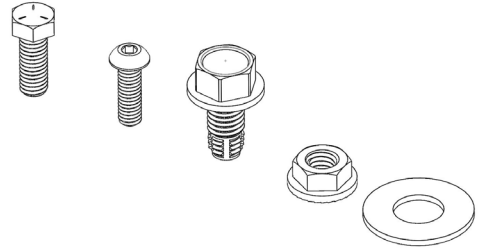
TRANSFER CASE
SKID PLATE
SHIPPING SHEET

Packaged by:

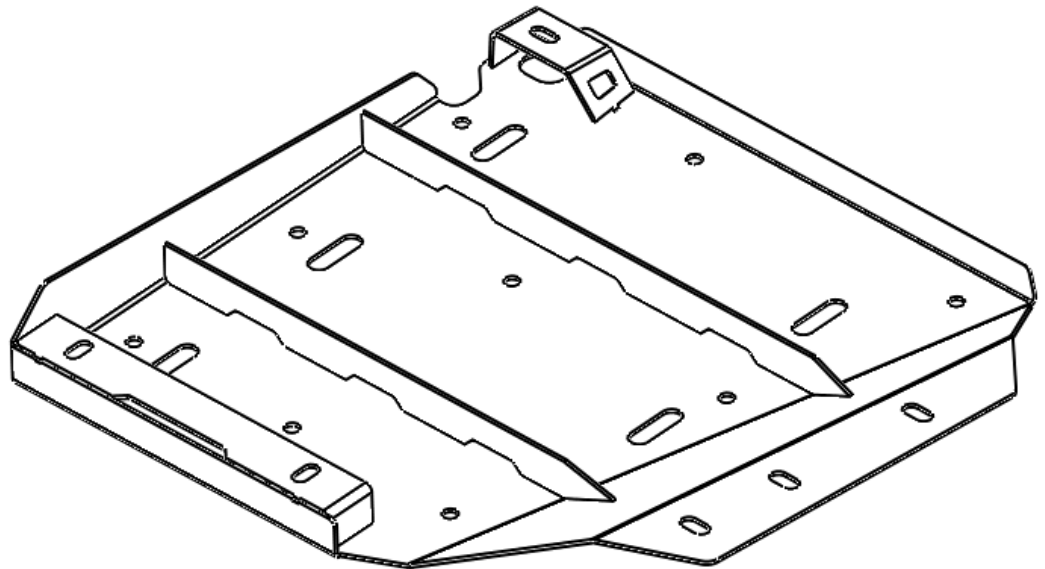
On:



INSTRUCTION
SHEET

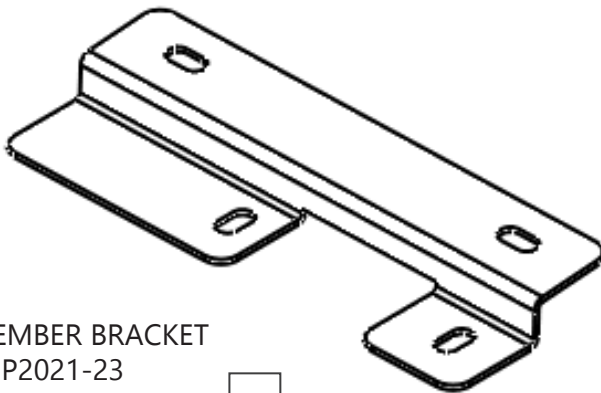


BOLT KIT
(may vary)



TRANSFER CASE SKID PLATE
4BSP2021-03

(x1)



CROSS MEMBER BRACKET
2BSP2021-23

(x1)

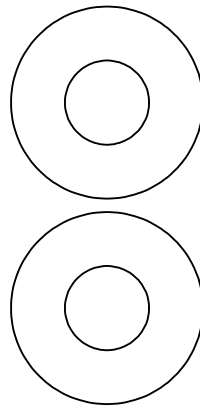




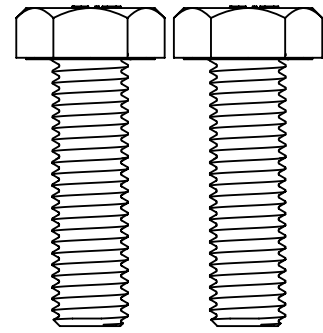
**BRONCO
BLACK-OPS SERIES**
TRANSFER CASE
SKID PLATE
BSP2108-BK
Bolt Kit

Packaged by:

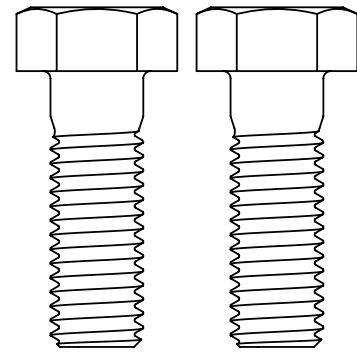
On: _____



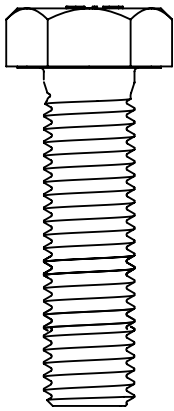
FLAT WASHER
Ø3/8" X 1.00"
(0159679)
(x2)



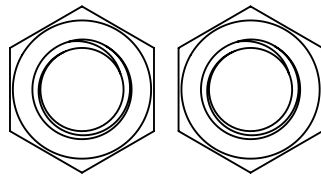
HEX BOLT M10-1.5 X 35MM
(0145161)
(x2)



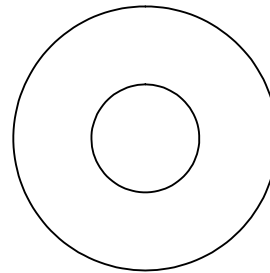
HEX BOLT 1/2-13 X 1.50
110120380
(x2)



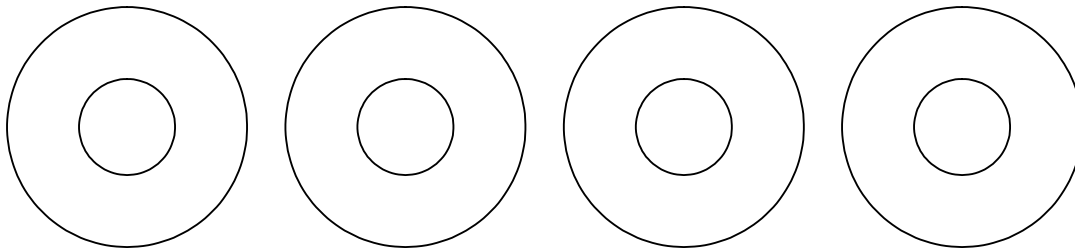
HEX BOLT M12-1.75 X 40MM
38708
(x1)



HEX NUT 1/2-13
1136310
(x2)



FLAT WASHER
1/2 X 1.375
1133012
(x1)



FLAT WASHER
7/16 X 1.25
1133010
(x4)

