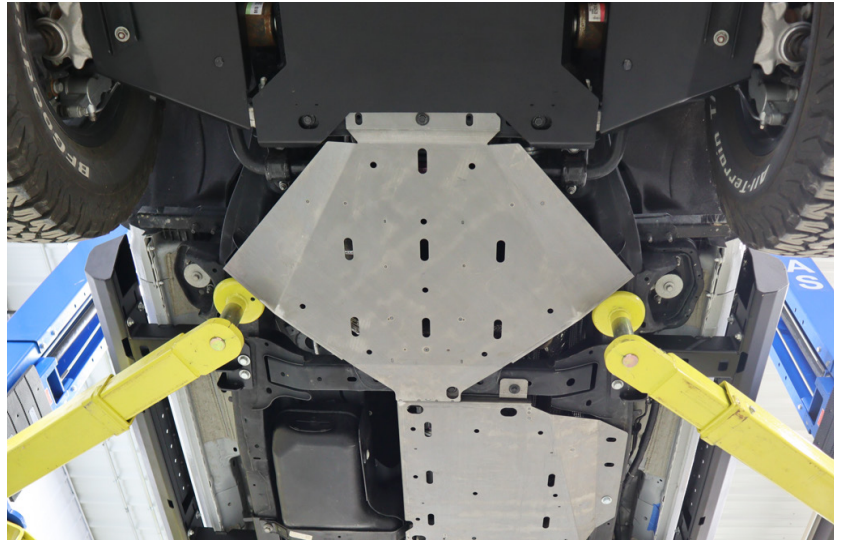




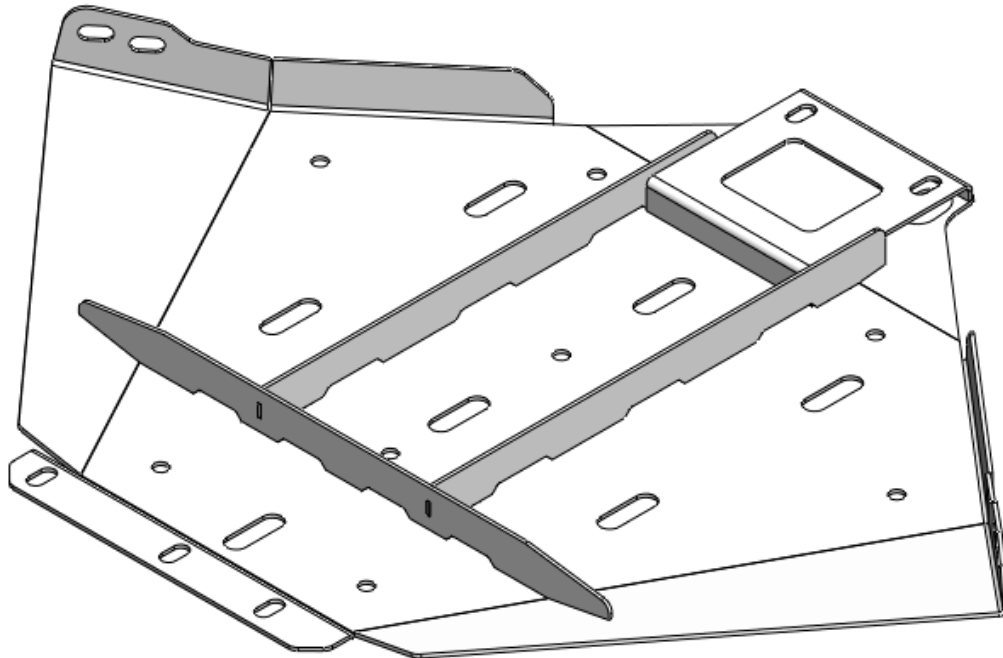
BLACK-OPS SERIES

BRONCO

TRANSMISSION
SKID PLATE



VERIFY YOU HAVE ALL THE COMPONENTS BEFORE STARTING THE INSTALLATION. REFER TO THE ENGINEERING DRAWINGS AT THE END OF THIS DOCUMENT FOR A COMPLETE PARTS LIST



Your new LOD Transmission Skid Plate will work with the stock OEM front differential skid plate and the transfer case skid plate. However you may need to remove the mounting bolts to adjust them during the install.

First start by removing the 4 bolts (2 on each side) that connect the chassis angled cross-member to the frame rail shown below.

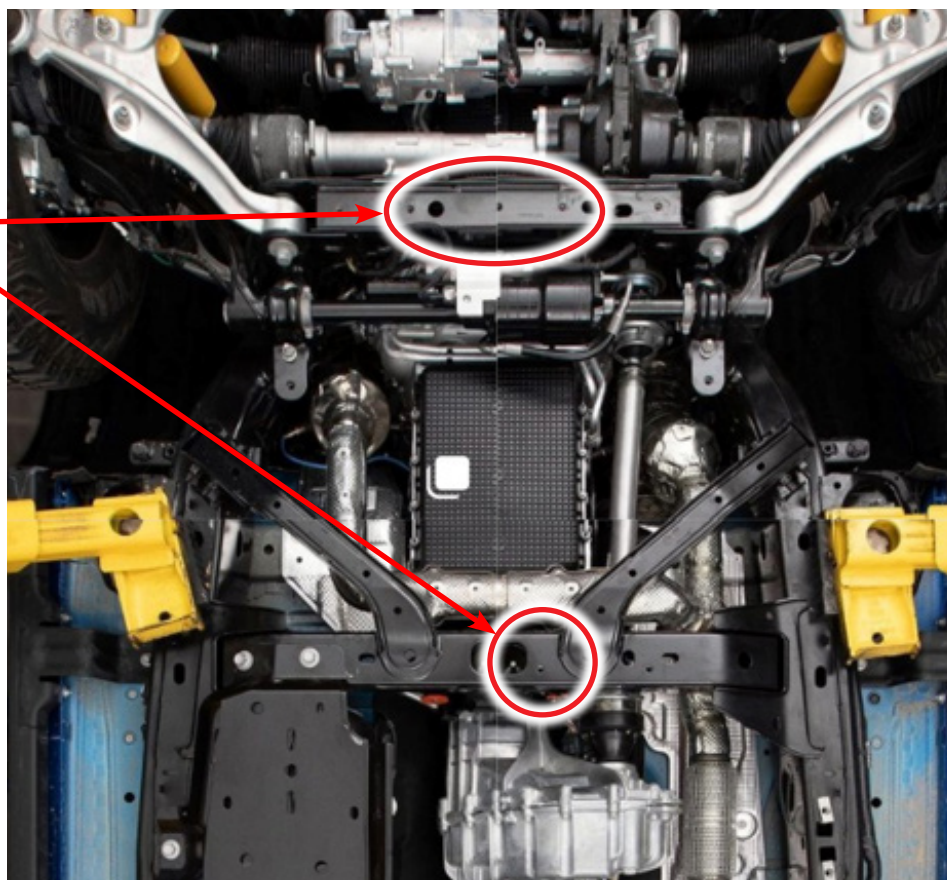
Remove these bolts



Front of Bronco

The image here shows the underside of your Bronco with no skid plates installed. If your Bronco has skid plates you will need to remove the mounting bolts in the locations circled here.

Your new skid plate should fit with the stock OEM skid plates, however you may need to loosen mounting bolts during installation.

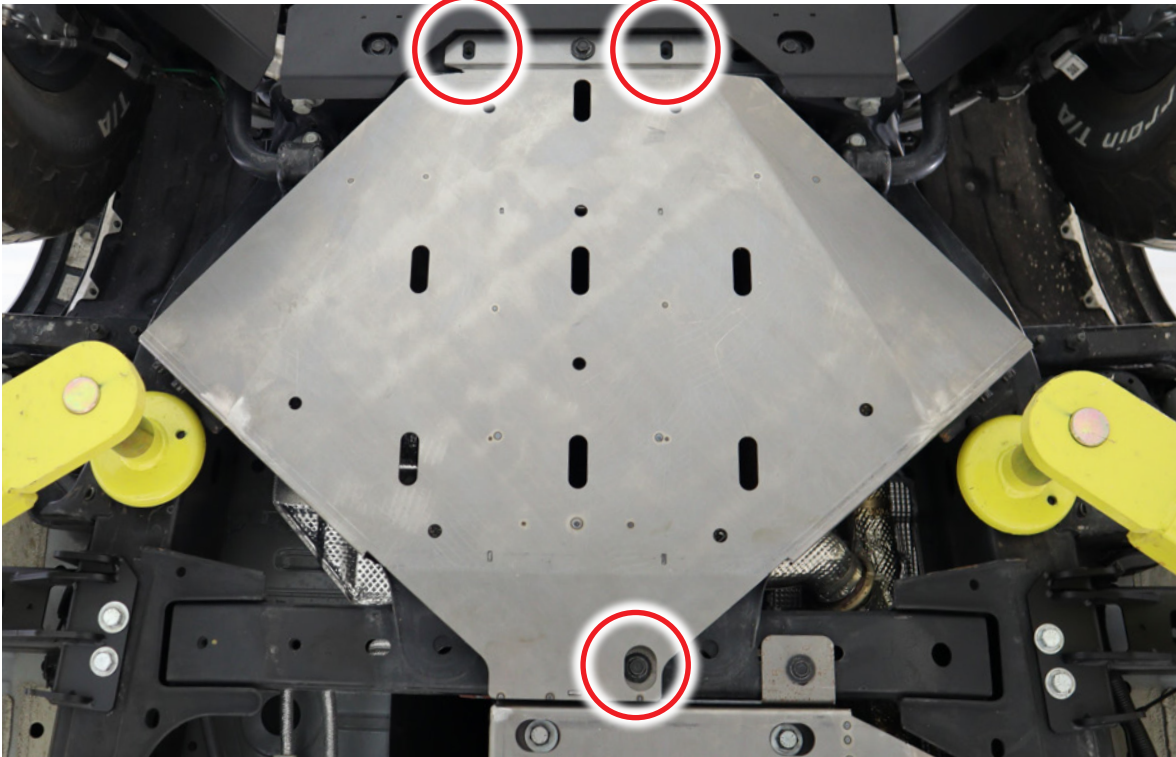


Rear of Bronco

Install the Transmission Skid Plate as shown using the provided M10 Hex Bolts and Washers, or use the existing bolts that came with your stock skid plates in the 3 positions circled below.

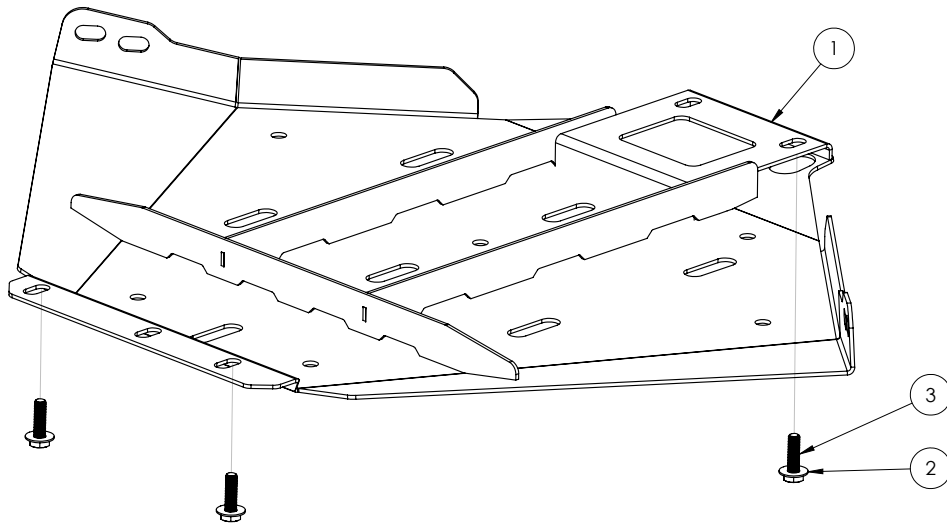
Dont forget to reinstall the 4 bolts into the side of the crossmember that you removed in the first step!

Front of Bronco




Rear of Bronco

ITEM NO.	PART NUMBER	DESCRIPTION	QTY.
1	4BSP2021-02	2021 BRONCO TRANSMISSION SKID PLATE	1
2	FW3816ZP	FLAT WASHER Ø3/8" X 1.00 ZINC PLATE	3
3	HB10150M35ZPCL88	HEX BOLT M10-1.50 x 35mm ZINC PLATE CL8.8	3



- NOTES:**
1. BSP2106 = BARE STEEL OPTION
 2. BSP2107 = BLACK POWDER COAT
 3. WEIGHT = APPROX 34 LBS

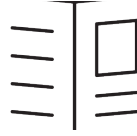
UNLESS OTHERWISE SPECIFIED:		NAME	DATE	
DIMENSIONS ARE IN INCHES		MCH	2/2/2022	
TOLERANCES: ±0.010		DESCRIPTION:		
ANGULAR: MACH±1°		2021 BRONCO TRANSMISSION SKID PLATE		
TWO PLACE DECIMAL ±0.015		DWG. NO. BSP2106		
THREE PLACE DECIMAL ±0.005		BSP2107		
PROPRIETARY AND CONFIDENTIAL THE INFORMATION CONTAINED IN THIS DRAWING IS THE SOLE PROPERTY OF LOD LLC. ANY REPRODUCTION IN PART OR AS A WHOLE WITHOUT THE WRITTEN PERMISSION OF LOD LLC IS PROHIBITED.		MATERIAL: N/A FINISH: SEE NOTES ECO: -		REV A
		SCALE: 1:4		SHEET SIZE: B
				SHEET 1 OF 1



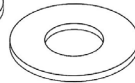
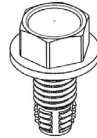
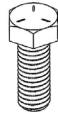
**BRONCO
BLACK-OPS SERIES**
TRANSMISSION
SKID PLATE
SHIPPING SHEET

Packaged by:

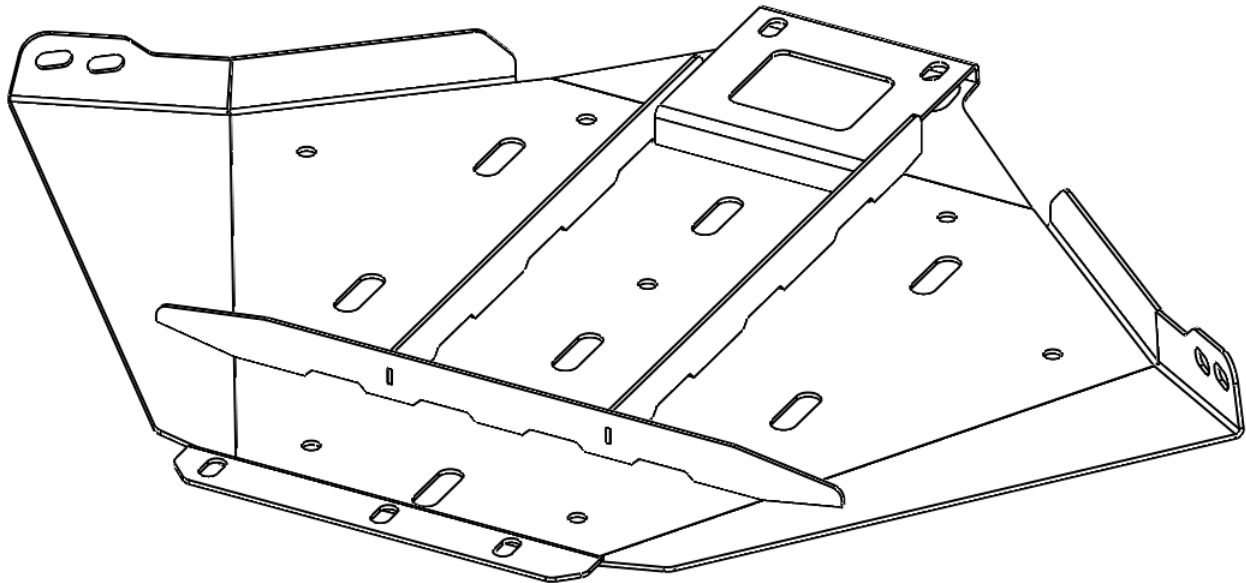
On: _____



INSTRUCTION
SHEET



BOLT KIT
(may vary)



TRANSMISSION SKID PLATE
4BSP2021-04
(x1)





**BRONCO
BLACK-OPS SERIES**

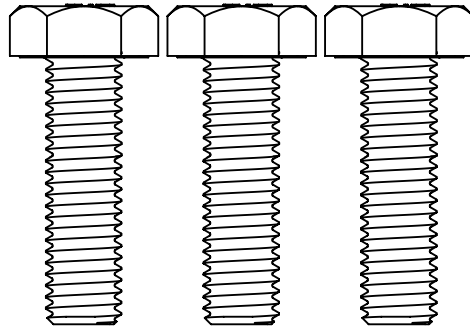
TRANSMISSION
SKID PLATE

BSP2106-BK

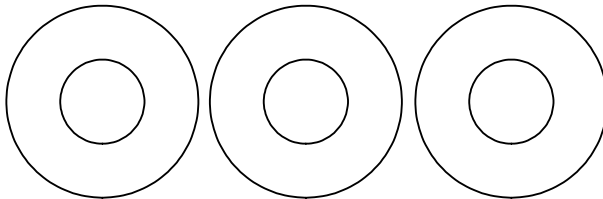
Bolt Kit

Packaged by:

On:



HEX BOLT M10-1.5 X 35MM
(0145161)
(x3)



FLAT WASHER
Ø3/8" X 1.00"
(0159679)
(x3)

